

INSTALLATION INSTRUCTIONS

SuperSorb® Carbon Filter Pads



GENERAL INFORMATION

Make sure the filter-pan is clean and dry.

Always wear personal protective equipment when the fry pan is hot.



Refer to the fryer operation manual.

USING THE CARBON PAD

Carbon Pad to be placed into the pan with **bumpy side up.**

Please do not use filter-powders.

Carbon Pad must be changed daily.

In case of heavy built up, Carbon Pad can be scraped off debris.

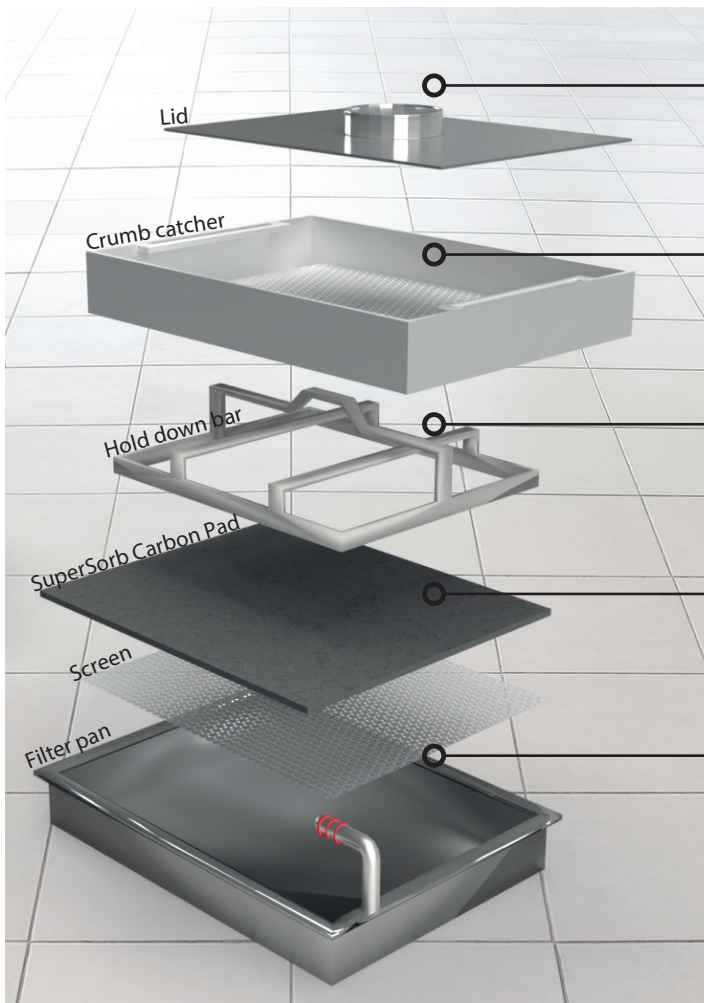
FRYER MAINTENANCE

Check O-Rings (when present) on frying oil return pipe. (refer to fryer operation manual)

Clean strainer cap regularly (when present)

DISPOSAL

Carbon Pads can be disposed of as regular waste.



STEP 5

Position the lid back on the fryer-pan (if applicable) and re-position the filter pan back into the fryer.

STEP 4

Place the crumb catcher inside the filter pan.

STEP 3

Insert the hold-down bar on top to the Carbon Pad.

STEP 2

Insert the Carbon Pad into the filter pan with **bumpy side up.**

STEP 1

Remove filter-pan from fryer. Place screen on the bottom of the empty filter pan (if present)