



HENDI

Tools for Chefs

976722

Tray sealer

Versiegelungsmaschine

Traysealer

Zgrzewarka do tacek

Scelleuse

Sigillante

Dispozitiv etansarea

Запайщик лотков

Μηχανή σφραγίσματος

Stroj za brtvljenje

Svářečka misek

Tálcazáró

Toidukonteineri kiletaja

Paplātes blīvētājs

Užlydymo aparato

Zváračka tácek

Tesnilo za pladnje

EN

DE

NL

PL

FR

IT

RO

RU

GR

HR

CZ

HU

EE

LV

LT

SK

SL

User Manual

Benutzerhandbuch

Gebruikershandleiding

Instrukcja obsługi

Manuel de l'Utilisateur

Manuale d'uso

Manual de utilizare

Инструкция

Εγχειρίδιο χρήστη

Korisnički priručnik

Užívateľský manuál

Használati utasítás

Kasutusjuhend

Lietotāja rokasgrāmata

Vartotojo vadovas

Používateľská príručka

Uporabniški priročnik



Keep these instructions with the appliance.
Bewahren Sie diese Anweisungen zusammen mit dem Gerät auf.
Bewaar deze instructies bij het apparaat.
Przechowuj tę instrukcję razem z urządzeniem.
Conservez ces instructions avec l'appareil.
Conservare queste istruzioni insieme all'apparecchio.
Păstrați aceste instrucțiuni la aparat.
Храните эти инструкции вместе с прибором.
Φυλάξτε αυτές τις οδηγίες στη συσκευή.

Držite ove upute s aparatom.
Tyto pokyny uschovejte u přístroje.
Tartsa ezeket az utasításokat a készülékénél.
Hoidke neid juhiseid seadme juures.
Saglabájjiet šos norādījumus kopā ar ierīci.
Laikykite šias instrukcijas kartu su įrenginiu.
Tieto pokyny si uschovajte spolu so spotřebičom.
Navodila shranite skupaj z napravo.



For indoor use only.
Nur für den Innengebrauch.
Alleen voor Gebruik binnenshuis.
Tylko do użytku w pomieszczeniach.
Pour une utilisation en intérieur uniquement.
Solo per uso interno.
Numai pentru uz interior.
Только для использования внутри помещений.
Μόνο για εσωτερική χρήση.


Samo za unutarnju upotrebu.
Pouze pro vnitřní použití.
Ainult sisetingimustes kasutamiseks.
Tikai lietošanai telpās.
Naudoti tik patalpoje.
Iba na vnútorné použitie.
Samo za uporabo v zaprtih prostorih.



Dear Customer,

Thank you for purchasing this HENDI appliance. Read this manual carefully, paying particular attention to the safety regulations outlined below, before installing and using this appliance for the first time.

Safety regulations



- This appliance is intended for commercial use only.
- Only use the appliance for the intended purpose it was designed for as described in this manual.
- The manufacturer is not liable for any damage caused by incorrect operation and improper use.
- Keep the appliance and electrical plug away from water and other liquids. In the event the appliance falls into water, immediately remove the power plug from the socket. Do not use the appliance until it has been checked by a certified technician. Failure to follow these instructions will cause life threatening risks.
- Never attempt to open the housing of the appliance by yourself.
- Do not insert objects into the housing of the appliance.
- Do not touch the plug with wet or damp hands.
-  **DANGER OF ELECTRIC SHOCK!** Do not attempt to repair the appliance by yourself, repairs are only to be conducted by qualified personnel.
- **Never use a damaged appliance!** When it's damaged, disconnect the appliance from the socket and contact the retailer.
- **WARNING!** Do not immerse the electrical parts of the appliance in water or other liquids.
- Never hold the appliance under running water.
- Regularly check the power plug and cord for any damage. When damaged it must be replaced by a service agent or similarly qualified person in order to avoid danger or injury.
- Make sure the cord does not come in contact with sharp or hot objects and keep it away from open fire. Never pull the power cord to unplug it from the socket, always pull the plug instead.
- Make sure that the power cord and/or extension cord do not cause a trip hazard.
- Never leave the appliance unattended during use.
- **WARNING!** As long as the plug is in the socket the appliance is connected to the power source.
- Turn off the appliance before unplugging it from the socket.
- Connect the power plug to an easily accessible electrical socket so that in case of emergency the appliance can be unplugged immediately.
- Never carry the appliance by the cord.
- Do not use any extra devices that are not supplied together with the appliance.
- Only connect the appliance to an electrical outlet with the voltage and frequency mentioned on the appliance label.
- Never use accessories other than those recommended by the manufacturer. Failure to do so could pose a safety risk to the user and could damage the appliance. Only use original parts and accessories.

EN



- This appliance should not be operated by persons with reduced physical, sensory or mental capabilities, or persons that have a lack of experience and knowledge.
- This appliance should, under any circumstances, not be used by children.
- Keep the appliance and its power cord out of reach of children.
- **WARNING:** ALWAYS switch off the appliance and unplug from power socket before cleaning, maintenance or storage.

Special Safety Regulations

- This appliance is intended for airtight packaging of food products intended for direct consumption, on polypropylene (PP) trays or made of ecological materials.
- Use the appliance only as described in this manual.
-  **DANGER OF BURNS! NEVER TOUCH THE SEALING PLATE!** It is very hot even after use. There is a danger of burns. Wait until the appliance has cooled down. Also, do not touch the appliance while in use.
- The appliance must be cleaned and food residues must be removed regularly. If the appliance is not maintained in a clean condition, this will lead to a detrimental effect on the service life of the appliance and can result in a dangerous condition during use.
- Do not place the appliance on a heating object (gasoline, electric, charcoal cooker, etc.) Keep the appliance away from any hot surfaces and open flames. Always operate the appliance on a level, stable, clean, heat-resistant and dry surface.
- Do not use the appliance to pack flammable articles.
-  **DANGER OF CRUSHING HANDS!** Do not put your hands under the cover of the appliance during use/ closing.

Intended use

- This appliance is intended for professional use.
- This appliance is intended for airtight packaging of food products intended for direct consumption, sold loose by weight, etc., on polypropylene (PP) trays or made of ecological materials. Any other use may lead to damage to the appliance or personal injury.
- Operating the appliance for any other purpose shall be deemed as a misuse of the device. The user shall be solely liable for improper use of the device.

Grounding installation

This appliance is classified as **protection class I** and must be connected to a protective ground. Grounding reduces the risk of electric shock by providing an escape wire for the electric current.

This appliance is fitted with a power cord that has a grounding wire and grounded plug. The plug must be plugged into an outlet that is properly installed and grounded.

General information

This appliance is adapted to the dimensions of the used packaging with the maximum dimensions of 227x178mm and round packaging with maximum diameter of 170mm and also for models with transverse foil cutting.

The method of packing in polypropylene (PP) or made of ecological materials trays allows for quick and safe packaging of such products as:

- meat,
- fish,
- delicatessen,
- ready meals and semi-finished meals,
- vegetable salads,
- seafood,
- pickled vegetables, olives, etc.

The appliance is widely used in commercial, gastronomic and catering establishments.

The appliance can also be used for packing small

industrial items, such as screws, pins, nuts, washers, small metal and plastic parts, electronic parts and components, spare parts and many other types of articles.

The ready packaging, in the form of a sealed container, is characterized by an attractive appearance, high aesthetics and good visibility of the packed product. Durable and tight closure of the package protects against opening during transport, ensuring optimal protection of the packed product against spilling, scattering or falling out of the package or damages. The packaging materials allow the packaging to come into contact with edible fats, and in the case of packaging with increased temperature resistance, it is possible to heat their contents in a microwave oven without removing them from the packaging. The high flexibility of these materials ensures that the packaging is resistant to cracking in a wide range of storage temperatures.

Work environment

Do not install the appliance:

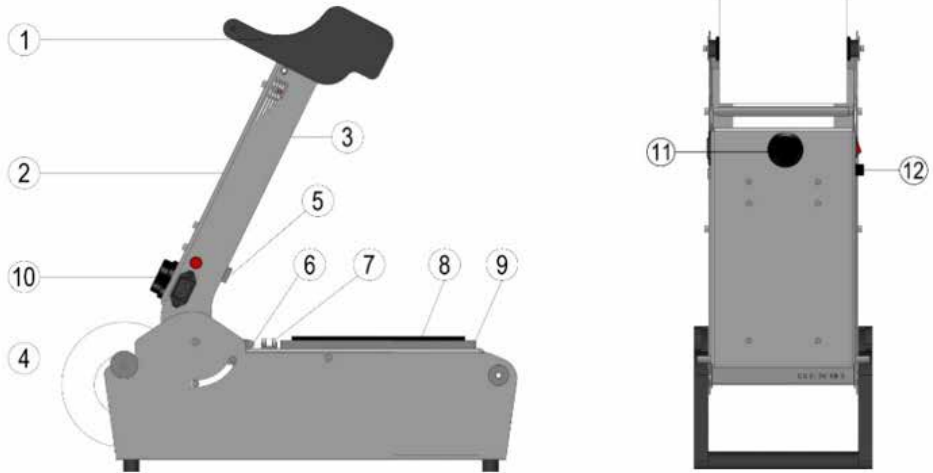
- On a surface that does not allow for a stable setting of the appliance.
- Near rotating, vibrating machinery.
- In dusty places.
- In places with an atmosphere of flammable and chemically aggressive vapours.

This appliance is intended for use in commercial facilities and meet the requirements of class A for electromagnetic interference emissions in accordance with EN 61000-6-3:2001.

A class product used in a residential environment may cause electromagnetic interference. In this case, the user should provide additional protection against interference.



General view

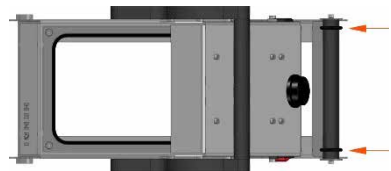


- 1. Cover handle, pressure system** - Provides convenient opening and closing of the appliance and the correct pressure to weld the tray. The applied system does not require the use strength more than it is necessary.
- 2. Cover** - Protect heating plate.
- 3. Heating plate.**
- 4. Roll with foil** - Foil is not included with appliance.
- 5. Foil cutter knife** - Ensures that the foil is safely cut after the cover is completely closed.
- 6. Foil holder** -Ensures holding the edge of the foil after cutting.
- 7. Cutter** - Ensures that the foil is held and safely cut after the cover is completely closed.
- 8. Silicone gasket of container** - Presses the edge of the container to the foil at the point of sealing.
- 9. Container's matrix** - Ensures product tray support (The top view of the matrix is adapted to the shape of the container).
- 10. Power switch (Button)** - Allows you to switch the appliance on / off by pressing the button (the switch-on status is indicated by the back-light of the button).
- 11. Temperature controller** - Allows you to adjust the temperature according to the type of foil and containers. Maintains the temperature of the heating plate constant as set.
- 12. Fuse.**

User manual

Preliminaries

The spacing of the bush (red marking) should be adjusted to the width of the roll with foil, ensuring the correct position of the foil in relation to the container.



Foil application

NOTE: When applying the foil, make sure that the side to be welded is facing down.

IMPORTANT:

- Do not put the foil so that it faces the heating plate with the layer intended for sealing! It may stick the foil to the heating plate and contaminate its surface!
- Use only rolls in which the winding of the film is wound with a weldable layer inside the roll.

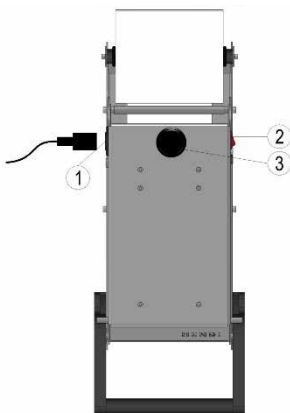
Attaching the roll of foil:

- Pull the roll support out of slot 1.
- Place the roll with foil 2 on the roll support 1 at the back of the appliance.
- Slide the support with the roller back into the slot.
- Manually unwind the beginning of the foil 3 and

Turning ON

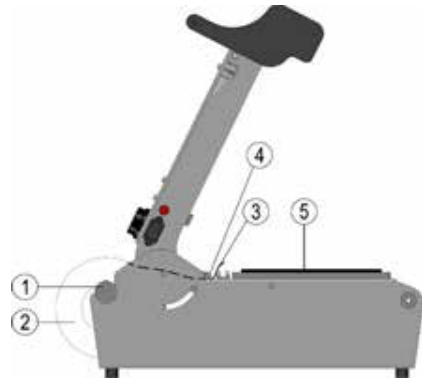
To turn on the appliance please follow the steps below:

- Ensure that the appliance is placed in a stable place.
- Connect the power cable to socket 1 on the appliance, and then to the ~ 230V mains socket, equipped with an efficient circuit of the protective installation (grounded pin).
- Turn on the appliance by pressing the power switch 2.



put it under the foil holder 4.

- Place the foil on the surface of the frame 5.



Turning on the appliance is indicated by the back-light of switch.

IMPORTANT:

Before use, preheating is requiring. (6 to 10 minutes).

Thanks to the use of a programmable temperature regulator, the temperature of the heating plate after heating will be automatically maintained at the set level, which will ensure stable conditions for the sealing process.

The appliance is equipped with a built-in safety foil cutting system. The construction of the sealer protects the operator from burns or cuts.

- Set the temperature of the heating plate with the sealing temperature controller.



Temperature control

The temperature is regulated by a knob with an imprinted temperature scale. Possible temperature setting in the range from 50 to 210°C. As soon as

Sealing process

Ensure that you are familiar with the safety requirements of use. Start the sealing process, according to the following description:

1. Place the filled container in the frame hole.
2. Pull the foil over the container so that it is completely covered with the foil.

Cleaning and maintenance

Cleaning

After the appliance has cooled down, remove the remains of the packed products with a soft brush.

If necessary, wash off the dirt with a soft sponge, lightly moistened with water and detergent. Do not

Repair

In the case of malfunctions immediately stop using the appliance and disconnect it from the power source.

Check the answers to frequently asked questions

Spare parts

If you need access to spare parts during operation, contact your distributor.

FAQ

a. Can I replace the matrix to use a different type of container?

Yes. Replacing the matrix is easy. Remove the existing matrix and insert a new one.

ATTENTION! Be careful not to burn yourself on the surface of the hot heating plate.

b. Can I use the same matrix for different shapes of containers?

Yes, however, this is only possible if the container has one compartment and the length and width of the different containers are exactly the same. If

the heating plate heats up to the set temperature, the light on the side of the housing will go off.

3. Grasp the cover handle and close the cover.
4. Wait 1-3 seconds. Foil welded along the edges of the tray.
5. After finishing the sealing process - open the cover and take out the closed container.

use products not intended for this type non-stick coating (see the product sheet of the cleaner). Remove any impurities from the hob with a soft sponge when the machine is cool.

in Chapter "FAQ" and see the descriptions of possible solutions in Chapter "Troubleshooting".

If the problem persists, contact your distributor.

there are any divisions in this area, they will not be welded.

c. Where can I order new matrix?

Contact your distributor

d. Can I order custom designs containers?

Yes, but the quantity ordered must be very large. The cost of making a matrix and a frame for an atypical container must be economically justified.

e. Is it possible to use larger capacity containers?

Yes, please contact your distributor.

Troubleshooting

Problem	Possible reason	Solution
The appliance does not seal the foil to the edge of the container or the seal is too weak	Lid foil roll is not positioned correctly.	Invert the roll. Foil must be faces to the container.
	The roll of foil is not matched to the material from which the container is made.	Change the sealing film roll or container.
	Too low temperature	Increase the temperature
	Too short welding time	Leave the cover closed longer.
	The matrix is inverted (with silicone stripes faces down)	Invert the matrix.
	Lack of silicone stripes on matrix	Fill gaps and insert new silicone strips
	There is a gap in the pressure line of the silicone strip.	Adjust the position of the strip.
The appliance does not start	The power cord is not connected to the power supply, or the machine is not turned on.	Connect the device to the power supply and turn it on.
	Blown fuse.	Contact with authorised service.
Sealing foil is not cut off.	The knife is missing or damaged.	Contact with authorised service for knife replacement.

Technical data

Item no.	976722
Dimensions (Appliance)	637x258x(H)247 mm
Dimensions (Roll)	Ø160 x (max) 200 mm
Tray dimensions	195x250x(H)10 mm
Efficiency	8-10 cycles/min
Max. Power	700 W
Voltage	AC ~230V 50Hz
Fuse	5x20 delayed 3,15 A
Indicators	Turning On light + Heating plate indicator light
Sealing technology	Heating plate with a non-stick coating with manually adjustable temperature
Properties	<ul style="list-style-type: none"> - Stainless steel construction, quick matrix change for containers, - safe and stable temperature control system, - the possibility of using matrices adapted to the individual needs of the user, - transverse cutting of the foil.
Net weight	10 kg



Warranty

Any defect affecting the functionality of the appliance which becomes apparent within one year after purchase will be repaired by free repair or replacement provided the appliance has been used and maintained in accordance with the instructions and has not been abused or misused in any way. Your statutory rights are not affected. If the appliance is claimed under warranty, state where and

when it was purchased and include proof of purchase (e.g. receipt).

In line with our policy of continuous product development we reserve the right to change the product, packaging and documentation specifications without notice.

Discarding & Environment

When decommissioning the appliance, the product must not be disposed of with other household waste. Instead, it is your responsibility to dispose to your waste equipment by handing it over to a designated collection point. Failure to follow this rule may be penalized in accordance with applicable regulations on waste disposal. The separate collection and recycling of your waste equipment at the time of disposal will help conserve natural re-

sources and ensure that it is recycled in a manner that protects human health and the environment.

For more information about where you can drop off your waste for recycling, please contact your local waste collection company. The manufacturers and importers do not take responsibility for recycling, treatment and ecological disposal, either directly or through a public system.

Sehr geehrter Kunde,

Vielen Dank für den Kauf dieses Hendi Gerät. Lesen Sie dieses Handbuch sorgfältig und achten Sie besonders auf die unten aufgeführten Sicherheitsvorschriften, bevor Sie dieses Gerät zum ersten Mal installieren und verwenden.

Sicherheitsvorschriften



- Dieses Gerät ist nur für den gewerblichen Gebrauch bestim.
- Verwenden Sie das Gerät nur für den vorgesehenen Zweck, für den es entworfen wurde, wie in diesem Handbuch beschrieben.
- Der Hersteller haftet nicht für Schäden, die durch fehlerhafte Bedienung und unsachgemäße Verwendung verursacht werden.
- Halten Sie das Gerät und den elektrischen Stecker von Wasser und anderen Flüssigkeiten fern. Falls das Gerät in Wasser fällt, entfernen Sie sofort den Netzstecker von der Steckdose. Verwenden Sie das Gerät erst, wenn es von einem zertifizierten Techniker überprüft wurde. Die Nichtbefolgung dieser Anweisungen führt zu lebensbedrohlichen Risiken.
- Versuchen Sie niemals, das Gehäuse des Geräts selbst zu öffnen.
- Legen Sie keine Objekte in das Gehäuse der Appliance ein.
- Berühren Sie den Stecker nicht mit nassen oder feuchten Händen.
-  **GEFAHR EINES ELEKTRISCHEN SCHLAGS!** Versuchen Sie nicht, das Gerät selbst zu reparieren, Reparaturen sind nur von qualifiziertem Personal durchzuführen.
- **Verwenden Sie niemals ein beschädigtes Gerät!** Wenn es beschädigt ist, trennen Sie das Gerät von der Steckdose und wenden Sie sich an den Händler.
- **WARNUNG!** Tauchen Sie die elektrischen Teile des Geräts nicht in Wasser oder andere Flüssigkeiten ein.
- Halten Sie das Gerät niemals unter fließendem Wasser.
- Überprüfen Sie regelmäßig den Netzstecker und das Kabel auf Beschädigungen. Bei Beschädigung muss es durch einen Dienstleister oder eine ähnlich qualifizierte Person ersetzt werden, um Gefahren oder Verletzungen zu vermeiden.
- Stellen Sie sicher, dass das Kabel nicht mit scharfen oder heißen Gegenständen in Berührung kommt und halten Sie es von offenem Feuer fern. Ziehen Sie niemals das Netzkabel, um es von der Steckdose zu trennen, ziehen Sie stattdessen immer den Stecker.
- Stellen Sie sicher, dass das Netzkabel und/oder das Verlängerungskabel keine Auslösegefahr verursachen.
- Lassen Sie die Appliance während des Gebrauchs niemals unbeaufsichtigt.
- **WARNUNG!** Solange sich der Stecker in der Steckdose befindet, wird das Gerät an die Stromquelle angeschlossen.
- Schalten Sie die Appliance aus, bevor Sie sie vom Sockel trennen.
- Schließen Sie den Netzstecker an eine leicht zugängliche Steckdose an, so dass das Gerät im Notfall sofort abgenommen werden kann.

DE



- Tragen Sie das Gerät niemals an der Schnur.
- Verwenden Sie keine zusätzlichen Geräte, die nicht zusammen mit der Appliance geliefert werden.
- Schließen Sie das Gerät nur an eine Steckdose mit der Spannung und Frequenz an, die auf dem Etikett des Gerätes angegeben ist.
- Verwenden Sie niemals anderes Zubehör als das vom Hersteller empfohlene Zubehör. Andernfalls könnte ein Sicherheitsrisiko für den Benutzer darstellen und das Gerät beschädigen. Verwenden Sie nur Originalteile und Zubehör.
- Dieses Gerät sollte nicht von Personen mit eingeschränkter körperlicher, sensorischer oder geistiger Leistungsfähigkeit oder von Personen mit mangelnder Erfahrung und Kenntnisnahme betrieben werden.
- Dieses Gerät sollte unter keinen Umständen von Kindern verwendet werden.
- Bewahren Sie das Gerät und das Netzkabel außerhalb der Reichweite von Kindern auf.
- **ACHTUNG:** Schalten Sie das Gerät immer aus und ziehen Sie es vor der Reinigung, Wartung oder Lagerung von der Steckdose ab.

Besondere Sicherheitsvorschriften

- Das Gerät ist für die luftdichte Verpackung von Lebensmitteln – die für den direkten Verzehr bestimmt sind – in Polypropylen (PP)-Schalen oder in Schalen aus ökologischen Materialien bestimmt.
- Verwenden Sie das Gerät nur für den vorgesehenen Zweck, für den es entworfen wurde, wie in diesem Handbuch beschrieben.
-  **VERBRENNUNGSRISIKO! BERÜHREN SIE NICHT DIE HEISSIEGELPLATTE!** Nach dem Gebrauch des Gerätes ist die Platte noch sehr heiß und es besteht das Risiko einer Verbrennung. In diesem Zusammenhang ist abzuwarten, bis das Gerät abgekühlt ist. Während des Funktionsbetriebes darf das Gerät nicht berührt werden.
- Reinigen Sie das Gerät und beseitigen Sie die Essensreste regelmäßig. Wenn das Gerät nicht regelmäßig gereinigt wird, wird seine Lebensdauer beeinträchtigt, was zu einem gefährlichen Zustand während seines Funktionsbetriebs führen kann.
- Das Gerät darf nicht auf ein Objekt gestellt werden, das Wärme ausstrahlt (Gas- bzw. Elektroherd, Grill, usw.). Lagern Sie es weit entfernt von heißen Flächen oder offenem Feuer. Stellen Sie das Gerät auf eine ebene, stabile, saubere und trockene Fläche auf, die auch gegen die Einwirkung hoher Temperaturen beständig ist.
- Verwenden Sie das Gerät nicht zum Verpacken von brennbaren Gegenständen.
-  **GEFAHR VON QUETSCHWUNDEN AN DEN HÄNDEN!** Legen Sie beim Schließen Ihre Hände nicht unter die Abdeckung des Geräts.

Verwendungszweck

- Das Gerät ist für den professionellen Einsatz geeignet.
- Das Gerät ist für die luftdichte Verpackung von Lebensmitteln – die für den direkten Verzehr bestimmt sind, lose nach Gewicht verkauft werden usw. – in Polypropylen (PP)-Schalen oder in Schalen aus ökologischen Materialien bestimmt.

Die Verwendung des Geräts für andere Zwecke kann zu seiner Beschädigung sowie zu Körperverletzungen führen.

- Jede andere Verwendung des Gerätes gilt als nicht bestimmungsgemäß. Der Benutzer ist allein verantwortlich für die unsachgemäße Nutzung des Gerätes.

Erdungsinstallation

Dieses Gerät ist als **Schutzklasse I** eingestuft und muss mit einer Schutzerde verbunden werden. Die Erdung reduziert das Risiko eines elektrischen Schlags, indem ein Flucht kabel für den elektrischen Strom bereitgestellt wird. Dieses Gerät ist

mit einem Netzkabel mit einem Erdungskabel und einem geerdeten Stecker ausgestattet. Der Stecker muss in eine Steckdose gesteckt werden, die ordnungsgemäß installiert und geerdet ist.

Allgemeine Information

Das Gerät ist für Verpackungen mit unterschiedlichen Abmessungen (rechteckig mit den maximalen Abmessungen von 227x178mm und rund mit einem maximalen Durchmesser von 170mm sowie für Modelle mit Querfolienschnitten) geeignet.

Die Art der Verpackung aus Polypropylen (PP) oder ökologischen Materialien ermöglicht eine schnelle und sichere Verpackung von Produkten, wie zB:

- Fleisch,
- Fisch,
- Feinkost,
- Fertiggerichte und Halbfertiggerichte,
- Gemüsesalate,
- Meeresfrüchte,
- eingelegtes Gemüse, Oliven usw.

Das Gerät ist in Gewerbe-, Gastronomie- und Cateringbetrieben weit verbreitet.

Das Schweißverfahren kann auch zum Verpacken von kleinen Industrieartikeln wie Schrauben, Stiften, Muttern, Unterlegscheiben, kleinen Metall-

und Kunststoffteilen, elektronischen Teilen und Komponenten, Ersatzteilen und vielen anderen Arten von Artikeln verwendet werden.

Die fertige Verpackung in Form eines verschlossenen Behälters zeichnet sich durch ein attraktives Erscheinungsbild, eine hohe Ästhetik und eine gute Sichtbarkeit des verpackten Produkts aus. Der langlebige und dichte Verschluss der Verpackung schützt vor dem Öffnen während des Transports und gewährleistet einen optimalen Schutz des verpackten Produkts vor Verschütten oder Herausfallen aus der Verpackung bzw. vor Beschädigungen. Die Verpackungsmaterialien ermöglichen es, dass die Verpackung mit essbaren Fetten in Berührung kommt, und bei Verpackungen mit erhöhter Temperaturbeständigkeit ist es möglich, ihren Inhalt in einem Mikrowellenherd zu erhitzen, ohne sie aus der Verpackung zu entfernen. Die hohe Flexibilität dieser Materialien stellt sicher, dass die Verpackung bei einer Vielzahl von Lagertemperaturen rissfest bleibt.

Arbeitsumgebung

Installieren Sie das Gerät nicht:

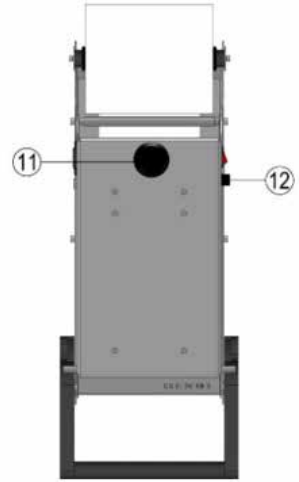
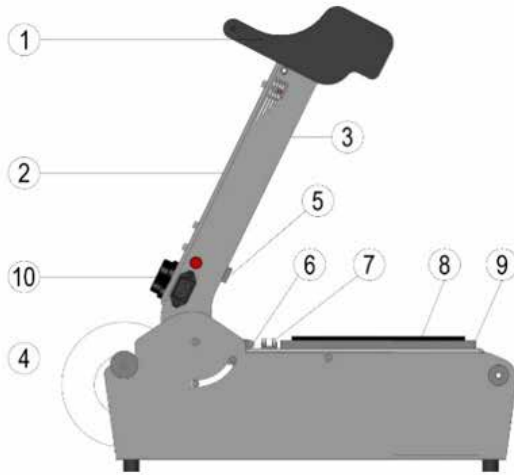
- Auf einer Oberfläche, die keine stabile Ausrichtung des Geräts zulässt.
- In der Nähe von rotierenden oder vibrierenden Maschinen.
- An staubigen Orten.
- In der Umgebung von brennbaren und chemisch aggressiven Dämpfen

Dieses Gerät ist für den Einsatz in gewerblichen Einrichtungen vorgesehen und erfüllt die Anforderungen der Klasse A für elektromagnetische Störungen gemäß EN 61000-6-3:2001.

Ein Produkt dieser Klasse, das in einem Wohnumfeld verwendet wird, kann elektromagnetische Störungen verursachen. In diesem Fall sollte der Benutzer zusätzlichen Schutz vor Störungen bieten.



Allgemeiner Überblick

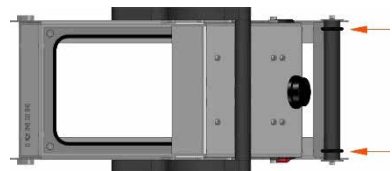


- 1. Abdeckgriff, Drucksystem** - ermöglicht ein bequemes Öffnen und Schließen des Gerätes und die Einstellung des richtigen Drucks zum Versiegeln. Nicht mehr Druck als nötig anwenden.
- 2. Abdeckung** - zum Schutz der Heizplatte.
- 3. Heizplatte.**
- 4. Rolle mit Folie** - Folie ist nicht im Lieferumfang enthalten.
- 5. Folienschneidemesser** - sorgt dafür, dass die Folie sicher geschnitten wird, nachdem die Abdeckung vollständig geschlossen ist.
- 6. Folihalter** - sorgt dafür, dass die Kante der Folie nach dem Schneiden gehalten wird.
- 7. Cutter** - sorgt dafür, dass die Folie gehalten und sicher geschnitten wird, nachdem die Abdeckung vollständig geschlossen ist.
- 8. Silikondichtung des Behälters** - presst den Rand des Behälters an der Versiegelungsstelle auf die Folie.
- 9. Behältermatrize** - stellt die Unterstützung der Produktschale sicher (die Oberansicht der Matrize muss der Form des Behälters entsprechen).
- 10. Hauptschalter (Taste)** - ermöglicht das Ein- und Ausschalten des Geräts durch Drücken der Taste (der Einschaltstatus wird durch die Hintergrundbeleuchtung der Taste angezeigt).
- 11. Temperaturregler** - ermöglicht das Einstellen der Temperatur, je nach Folientyp und Behälter. Hält die Temperatur der Heizplatte konstant wie eingestellt.
- 12. Sicherung.**

Bedienungsanleitung

Vorbereitung

Der Abstand der Buchse (rote Markierung) sollte mit Folie an die Breite der Rolle angepasst werden, um die korrekte Position der Folie in Bezug auf den Behälter zu gewährleisten.



Folien-Anwendung

HINWEIS: Achten Sie beim Auftragen der Folie darauf, dass die zu versiegelnde Seite nach unten zeigt.

WICHTIG:

- Legen Sie die Folie nicht so auf, dass sie der Heizplatte mit der zum Versiegeln vorgesehenen Schicht zugewandt ist! Dies kann die Folie an die Heizplatte kleben und ihre Oberfläche verunreinigen!
- Verwenden Sie ausschließlich Rollen, bei denen die Wicklung der Folie mit einer versiegelbaren Schicht im Inneren der Rolle aufgewickelt ist.

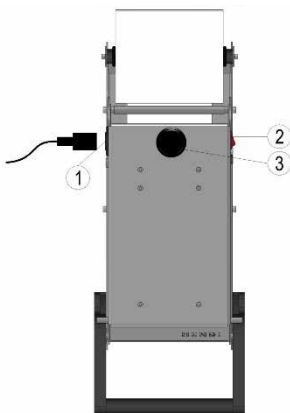
Anbringen der Folienrolle:

- Ziehen Sie die Rollstütze aus Schlitz 1 heraus.
- Legen Sie die Rolle mit Folie 2 auf die Rollstütze 1 an der Rückseite des Geräts.
- Schieben Sie die Stütze mit der Rolle zurück in den Schlitz.

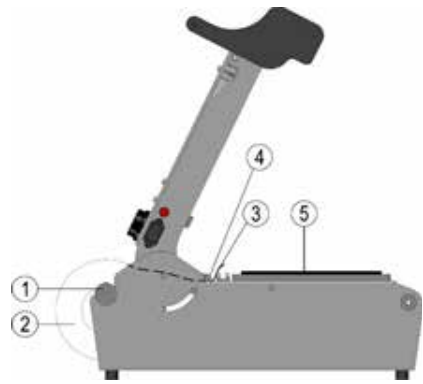
Einschalten

Schritte zum Einschalten des Geräts:

- Vergewissern Sie sich, dass das Gerät an einem stabilen Ort platziert ist.
- Schließen Sie das Netzkabel an die Buchse 1 des Geräts und dann an die ~230V-Netzsteckdose an, die mit einer effizienten Schaltung der Schutzinstallation (Erdungsstift) ausgestattet ist.
- Schalten Sie das Gerät ein, indem Sie den Netzschalter 2 drücken.



- Wickeln Sie den Anfang der Folie 3 manuell ab und legen Sie ihn unter den Folienhalter 4.
- Legen Sie die Folie auf die Oberfläche des Rahmens 5.



Das Einschalten des Geräts wird durch die Hintergrundbeleuchtung des Schalters angezeigt.

WICHTIG:

Vor dem Gebrauch ist ein Vorwärmen des Geräts erforderlich (6 bis 10 Minuten).

Dank der Verwendung eines programmierbaren Temperaturreglers wird die Temperatur der Heizplatte nach dem Erhitzen automatisch auf dem eingestellten Niveau gehalten, was stabile Bedingungen für den Versiegelungsprozess gewährleistet.

Die Versiegelung ist mit einem eingebauten Sicherheitsfolien-Schneidsystem ausgestattet. Die Konstruktion des Geräts schützt den Bediener vor Verbrennungen oder Schnitten.

- Stellen Sie die Temperatur der Heizplatte mit dem Temperaturregler ein.



Einstellung der Temperatur

Die Temperatur wird durch einen Knopf mit einer eingepprägten Temperaturskala reguliert. Mögliche Temperatureinstellung im Bereich von 50 bis 210°C.

Versiegelungsprozess

Wenn Sie mit den Sicherheitsbestimmungen bzgl. Verwendung vertraut sind, starten Sie den Versiegelungsprozess gemäß der folgenden Schritte:

1. Legen Sie den gefüllten Behälter in den Öffnungsrahmen.
2. Ziehen Sie die Folie über den Behälter, so dass dieser vollständig mit der Folie bedeckt ist.

Sobald sich die Heizplatte auf die eingestellte Temperatur erwärmt hat, erlischt das Licht an der Gehäuseseite.

3. Fassen Sie den Griff der Abdeckung an und schließen Sie die Abdeckung.
4. Warten Sie 1-3 Sekunden bis die Folie an den Rändern des Behälters versiegelt ist.
5. Nach Beendigung des Vorgangs - öffnen Sie den Deckel und nehmen Sie den geschlossenen Behälter heraus.

Reinigung und Wartung

Reinigung

Nachdem das Gerät abgekühlt ist, entfernen Sie die Reste der verpackten Produkte mit einer weichen Bürste. Waschen Sie den Schmutz bei Bedarf mit einem weichen Schwamm ab, der leicht mit Wasser und Reinigungsmittel angefeuchtet ist.

Verwenden Sie keine Produkte, die nicht für diese Art Antihafbeschichtung bestimmt sind (siehe Produktblatt des Reinigers). Entfernen Sie alle Verunreinigungen mit einem weichen Schwamm, wenn die Maschine abgekühlt ist.

DE

Reparatur

Im Falle von Störungen hören Sie sofort auf, das Gerät zu benutzen und trennen Sie es von der Stromquelle. Prüfen Sie die Antworten auf häufig gestellte Fragen in Kapitel „FAQ“ und sehen Sie

sich die Beschreibungen möglicher Lösungen in Kapitel „Fehlerbehebung“ an. Wenn das Problem weiterhin besteht, wenden Sie sich bitte an Ihren Händler.

Ersatzteile

Wenn Sie während des Betriebs Zugriff auf Ersatzteile benötigen, wenden Sie sich bitte an Ihren Händler.

FAQ - Häufig gestellte Fragen

a. Kann ich die Matrize ersetzen, um einen anderen Behältertyp zu verwenden?

Ja. Das Ersetzen der Matrize ist einfach. Entfernen Sie die vorhandene Matrize und legen Sie eine neue ein.

ACHTUNG! Achten Sie darauf, sich nicht auf der Oberfläche der Heizplatte zu verbrennen.

b. Kann ich dieselbe Matrize für verschiedene Behälterformen verwenden?

Ja, dies ist jedoch nur möglich, wenn der Behälter nur ein Fach hat und die Länge und Breite der verschiedenen Behälter genau gleich sind. Wenn es in diesem Bereich irgendwelche Unterteilungen gibt,

werden diese nicht versiegelt.

c. Wo kann ich eine neue Matrize bestellen?

Wenden Sie sich bitte an Ihren Händler.

d. Kann ich kundenspezifische Behälter bestellen?

Ja, aber die bestellte Menge muss sehr groß sein. Die Kosten für die Herstellung einer Matrize und eines Rahmens für einen spezifischen Behälter müssen wirtschaftlich rechtfertigbar sein.

e. Ist es möglich, Behälter mit größerer Kapazität zu verwenden?

Ja, bitte wenden Sie sich an Ihren Händler.



Fehlerbehebung

Problem	Möglicher Grund	Lösung
Die Gerät versiegelt die Folie nicht an den Rand des Behälters oder die Dichtung ist zu schwach	Die Deckelfolienrolle ist nicht richtig positioniert.	Drehen Sie die Rolle um. Die Folie muss dem Behälter zugewandt sein.
	Die Folienrolle ist nicht auf das Material abgestimmt, aus dem der Behälter hergestellt wird.	Wechseln Sie die Siegfolienrolle oder den Behälter.
	Zu niedrige Temperatur.	Erhöhen Sie die Temperatur.
	Zu kurze Versiegelungszeit.	Halten Sie die Abdeckung länger geschlossen.
	Die Matrize ist invertiert (mit Silikonstreifen nach unten).	Drehen Sie die Matrize um.
	Mangel an Silikonstreifen auf der Matrize.	Lücken füllen und neue Silikonstreifen einsetzen.
Das Gerät startet nicht	In der Druckleitung des Silikonstreifens befindet sich eine Lücke.	Passen Sie die Position des Streifens an.
	Das Netzkabel ist nicht an das Netzteil angeschlossen oder das Gerät ist nicht eingeschaltet.	Schließen Sie das Gerät an das Netzteil an und schalten Sie es ein.
Folie wird nicht abgeschnitten.	Durchgebrannte Sicherung	Wenden Sie sich an ein autorisiertes Servicecenter
	Das Messer fehlt oder ist beschädigt.	Kontakt eines Service-Partners um das Messer zu wechseln.

DE

Technische Spezifikation

Nr. des Produktes	976722
Außenabmessungen (Gerät)	637x258x(H)247 mm
Außenabmessungen (Rollen)	Ø160 x (max) 200 mm
Außenabmessungen (Tablett)	195x250x(H)10 mm
Effizienz	8-10 zyklen/min
Leistung (max)	700 W
Betriebsspannung	AC ~230V 50Hz
Sicherung	5x20 3,15 A
Indikatorleuchte	Anschalt-Leuchte + Anzeigeleuchte der Heizplatte
Versiegelungstechnik	Heizplatte mit Antihftbeschichtung mit manuell einstellbarer Temperatur
Eigenschaften	<ul style="list-style-type: none">- Edelstahlkonstruktion, schneller Matrizenwechsel für Behälter,- sicheres und stabiles Temperaturregelungssystem,- die Möglichkeit, Matrizen zu verwenden, die an die individuellen Bedürfnisse des Benutzers angepasst sind,- Querschneiden der Folie.
Nettogewicht	10 kg



Garantie

Alle innerhalb von einem Jahr nach dem Kaufdatum festgestellten Defekte oder Mängel, die die Funktionalität des Gerätes beeinträchtigen, werden auf dem Wege der unentgeltlichen Reparatur bzw. des Austausches unter der Voraussetzung beseitigt, dass das Gerät in einer der Bedienungsanleitung gemäßen Art und Weise betrieben und gewartet wird und weder vorsätzlich vernichtet noch nicht bestimmungsgemäß genutzt wurde. Ihre Rechte aus den entsprechenden Gesetzen bleiben davon

unberührt. Eine in der Garantiefrist einzureichende Beanstandung hat die Angabe des Kaufortes und Kaufdatums und in der Anlage einen Kaufbeleg (z.B. Kassenzettel) zu enthalten.

Gemäß unserer Politik der ständigen Weiterentwicklung unserer Produkte behalten wir uns vor, Änderungen am Produkt, an seiner Verpackung und an den dokumentierten technischen Daten ohne vorherige Ankündigung vorzunehmen.

Entsorgung und Umweltschutz

Wird das Gerät außer Betrieb genommen, darf es nicht über den Hausmüll entsorgt werden. Der Benutzer ist für die Übergabe des Gerätes an eine geeignete Sammelstelle für Altgeräte verantwortlich. Die Nichteinhaltung dieser Regel kann gemäß den geltenden Vorschriften über die Abfallentsorgung bestraft werden. Die getrennte Sammlung und das Recycling der Altgeräte trägt zur Schonung der natürlichen Ressourcen bei und sorgt für eine


umwelt- und gesundheitsschonende Verwertungsweise.

Weitere Informationen darüber, wo Sie Ihre Altgeräte entsorgen können, erhalten Sie bei Ihrem örtlichen Entsorgungsunternehmen. Der Hersteller und der Importeur übernehmen keine Verantwortung für das Recycling sowie die umweltfreundliche Verwertung von Abfällen, weder direkt noch über ein öffentliches System.

Geachte klant,

Bedankt voor de aanschaf van dit Hendi apparaat. Lees deze handleiding zorgvuldig door, met bijzondere aandacht voor de onderstaande veiligheidsvoorschriften, voordat u dit apparaat voor de eerste keer installeert en gebruikt.

Veiligheidsvoorschriften

- Dit apparaat is enkel bedoeld voor commercieel gebruik.
- Gebruik het apparaat alleen voor het beoogde doel waarvoor het is ontworpen, zoals beschreven in deze handleiding.
- De fabrikant is niet aansprakelijk voor enige schade veroorzaakt door onjuist gebruik en onjuist gebruik.
- Houd het apparaat en de stekker uit de buurt van water en andere vloeistoffen. Als het apparaat in water valt, haal dan onmiddellijk de stekker uit het stopcontact. Gebruik het apparaat niet totdat het is gecontroleerd door een gecertificeerde technicus. Het niet volgen van deze instructies zal levensbedreigende risico's veroorzaken.
- Probeer nooit de behuizing van het apparaat zelf te openen.
- Plaats geen objecten in de behuizing van het apparaat.
- Raak de stekker niet aan met natte of vochtige handen.
-  **GEVAAR VOOR EEN ELEKTRISCHE SCHOK!** Probeer het apparaat niet zelf te repareren, reparaties mogen alleen worden uitgevoerd door gekwalificeerd personeel.
- **Gebruik nooit een beschadigd apparaat!** Wanneer het apparaat beschadigd is, koppelt u het apparaat los van het stopcontact en neemt u contact op met de detailhandelaar.
- **WAARSCHUWING!** Dompel de elektrische onderdelen van het apparaat niet onder in water of andere vloeistoffen.
- Houd het apparaat nooit onder stromend water.
- Controleer regelmatig de stekker en het snoer op eventuele schade. Bij beschadiging moet het worden vervangen door een serviceagent of een gelijkwaardig gekwalificeerd persoon om gevaar of letsel te voorkomen.
- Zorg ervoor dat het snoer niet in contact komt met scherpe of hete voorwerpen en houd het uit de buurt van open vuur. Trek nooit aan het netsnoer om het uit het stopcontact te halen, trek altijd aan de stekker.
- Zorg ervoor dat het netsnoer en/of het verlengsnoer geen struikelgevaar veroorzaken.
- Laat het apparaat nooit onbeheerd achter tijdens het gebruik.
- **WAARSCHUWING!** Zolang de stekker in het stopcontact zit, is het apparaat aangesloten op de stroombron.
- Schakel het toestel uit voordat u het uit het stopcontact haalt.
- Sluit de stekker aan op een gemakkelijk toegankelijk stopcontact, zodat het apparaat in geval van nood onmiddellijk kan worden losgekoppeld.
- Draag het apparaat nooit bij het snoer.
- Gebruik geen extra apparaten die niet samen met het apparaat worden geleverd.
- Sluit het apparaat alleen aan op een stopcontact met de spanning en frequentie vermeld op het etiket van het apparaat.

NL



- Gebruik nooit andere accessoires dan die welke door de fabrikant worden aanbevolen. Als u dit niet doet, kan dit een veiligheidsrisico vormen voor de gebruiker en kan het apparaat beschadigen. Gebruik alleen originele onderdelen en accessoires.
- Dit apparaat mag niet worden gebruikt door personen met verminderde fysieke, zintuiglijke of mentale vermogens, of personen met een gebrek aan ervaring en kennis.
- Dit apparaat mag in geen geval door kinderen worden gebruikt.
- Houd het apparaat en het netsnoer buiten het bereik van kinderen.
- **WAARSCHUWING:** schakel het apparaat ALTIJD uit en haal de stekker uit het stopcontact voor reiniging, onderhoud of opslag.

Bijzondere veiligheidsvoorschriften

- De lasmachines zijn ontworpen voor luchtdicht verpakken van levensmiddelen die bestemd zijn voor directe consumptie, op schalen van polypropyleen (PP) of gemaakt van ecologische materialen.
- Gebruik het apparaat alleen zoals beschreven in deze handleiding.
-  **GEVAAR VOOR BRANDWONDEN! RAAK DE HETE AFDICHTINGSPLAAT NOOIT AAN!** De sealbalk is erg heet, zelfs na gebruik. Er bestaat een gevaar voor brandwonden. Wacht tot het apparaat is afgekoeld. Raak het apparaat tijdens gebruik niet aan.
- Het apparaat moet regelmatig worden gereinigd en voedselresten moeten worden verwijderd. Als het apparaat niet schoon wordt gehouden, heeft dit een negatief effect op de levensduur van het apparaat en kan het leiden tot gevaarlijke situaties tijdens het gebruik.
- Plaats het apparaat niet op een verwarmingsvoorwerp (kooktoestel op benzine, elektriciteit, houtskool, etc.). Houd het apparaat uit de buurt van warme oppervlakken en open vuur. Gebruik het apparaat altijd op een vlakke, stabiele, schone, hittebestendige en droge ondergrond.
- Gebruik het apparaat niet om brandbare artikelen in te pakken.
-  **GEVAAR OM HANDEN TE VERPLETTEREN!** Leg bij het sluiten je handen niet onder de hoes van het apparaat.

Bedoeld gebruik

- Het apparaat is bestemd voor professioneel gebruik.
- De lasmachines zijn ontworpen voor luchtdicht verpakken van levensmiddelen die bestemd zijn voor directe consumptie, los per gewicht worden verkocht, enz., op schalen van polypropyleen (PP) of gemaakt van ecologische materialen. Elk ander gebruik kan leiden tot schade aan het apparaat of lichamelijk letsel.
- Gebruik van het apparaat voor andere doeleinden wordt beschouwd als verkeerd gebruik van het apparaat. De gebruiker is volledig aansprakelijk voor alle risico's die voortvloeien uit verkeerd gebruik van het apparaat.

Aarding installatie

Dit apparaat is geclassificeerd als **beschermingsklasse I** en moet op een beschermende grond worden aangesloten. Aarding vermindert het risico op elektrische schokken door een ontsnapingsdraad voor de elektrische stroom aan te bieden. Dit ap-

paraat is uitgerust met een netsnoer met een aardingsdraad en geaarde stekker. De stekker moet worden aangesloten op een stopcontact dat correct is geïnstalleerd en geaard.

Algemene informatie

Dit apparaat zijn aangepast aan de afmetingen van de gebruikte verpakking met de maximale afmetingen van 227x178mm en ronde verpakkingen met een maximale diameter van 170mm en ook voor modellen met dwarsfolie snijden.

De verpakkingsmethode in polypropyleen (PP) of gemaakt van ecologische materialen trays maakt een snelle en veilige verpakking mogelijk van producten zoals:

- vlees,
- visproducten,
- delicatessen,
- kant-en-klare maaltijden en halffabrikaten,
- groentesalades,
- zeevruchten
- gepekeld groenten, olijven, enz.

Het apparaat wordt veel gebruikt in commerciële, gastronomische en horecagelegenheden.

De lasmethode kan ook worden gebruikt voor het verpakken van kleine industriële artikelen, zoals

schroeven, pennen, moeren, ringen, kleine metalen en kunststof onderdelen, elektronische onderdelen en onderdelen, reserveonderdelen en vele andere soorten artikelen.

De afgewerkte verpakking, in de vorm van een verzegelde container, wordt gekenmerkt door een aantrekkelijk uiterlijk, hoge esthetiek en een goede zichtbaarheid van het verpakte product. Duurzame en strakke sluiting van de verpakking beschermt tegen openen tijdens het transport en zorgt voor een optimale bescherming van het verpakte product tegen morsen, verstrooien of vallen uit de verpakking of beschadigingen. Door de verpakkingsmaterialen kan de verpakking in contact komen met eetbare vetten en in het geval van verpakkingen met verhoogde temperatuurbestendigheid is het mogelijk om hun inhoud in een magnetron te verwarmen zonder ze uit de verpakking te halen. De hoge flexibiliteit van deze materialen zorgt ervoor dat de verpakking bestand is tegen scheuren bij een breed scala aan opslagtemperaturen.

NL

Werkomgeving

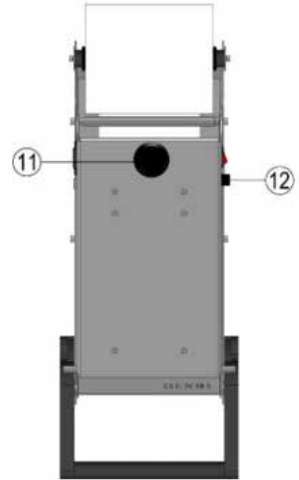
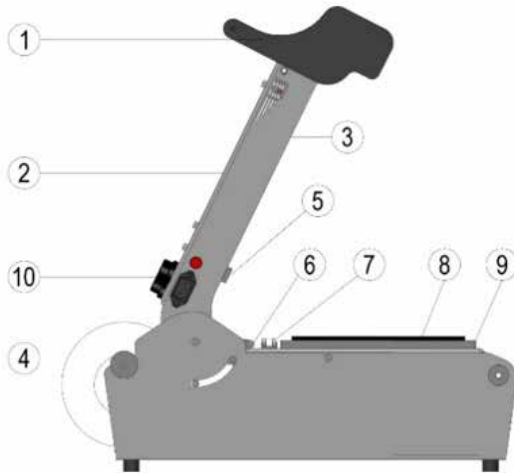
Installeer geen het apparaat:

- Op een oppervlak dat geen stabiele instelling van het apparaat mogelijk maakt.
- Nabij roterende, trillende machines.
- Op stoffige plekken.
- Op plaatsen met een atmosfeer van brandbare en chemisch agressieve dampen.

Het apparaat zijn bedoeld voor gebruik in commerciële installaties en voldoen aan de eisen van klasse A voor elektromagnetische interferentie-emissies in overeenstemming met EN 61000-6-3:2001. Een klasseproduct dat in een woonomgeving wordt gebruikt, kan elektromagnetische interferentie veroorzaken. In dit geval moet de gebruiker extra bescherming bieden tegen interferentie



Algemeen overzicht

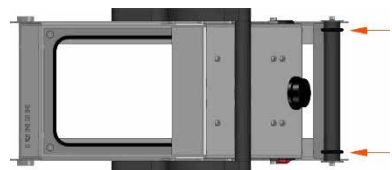


- 1. Afdekhendel, druksysteem** - Zorgt voor het gemakkelijk openen en sluiten van het apparaat en de juiste druk om de lade te lassen. Het toegepaste systeem vereist niet meer gebruiksterkte dan nodig is.
- 2. Deksel** - Bescherm verwarmingsplaat.
- 3. Verwarmingsplaat.**
- 4. Rol met folie** - Folie wordt niet meegeleverd met sealer.
- 5. Foliesnijder** - Zorgt ervoor dat de folie veilig wordt gesneden nadat de hoes volledig is gesloten.
- 6. Foliehouder** - Zorgt voor het vasthouden van de rand van de folie na het snijden.
- 7. Cutter** - Zorgt ervoor dat de folie wordt vastgehouden en veilig wordt gesneden nadat de hoes volledig is gesloten.
- 8. Siliconen pakking van container** - Druk de rand van de container tegen de folie op het punt van afdichting.
- 9. Containermatrix** - Zorgt voor ondersteuning van de productlade (het bovenaanzicht van de matrix is aangepast aan de vorm van de container).
- 10. Hoofdschakelaar (knop)** - Hiermee kunt u het apparaat in- en uitschakelen door op de knop te drukken (de inschakelstatus wordt aangegeven door de achtergrondverlichting van de knop).
- 11. Temperatuurregelaar** - Hiermee kunt u de temperatuur aanpassen aan het type folie en containers. Houdt de temperatuur van de verwarmingsplaat constant zoals ingesteld.
- 12. Zekering.**

Handmatig

Voor rondes

De afstand van de struik (rode markering) moet worden aangepast aan de breedte van de rol met folie, zodat de folie op de juiste positie ten opzichte van de container wordt gewaarborgd.



Folie-applicatie

OPMERKING: Zorg er bij het aanbrengen van de folie voor dat de te lassen zijde naar beneden gericht is.

GEWICHTIG:

- Plaats de folie niet zo dat deze naar de verwarmingsplaat kijkt met de laag die bedoeld is om te lassen! Het kan de folie op de verwarmingsplaat plakken en het oppervlak vervuilen!
- Gebruik alleen rollen waarin de wikkeling van de film wordt gewikkeld met een lasbare laag in de rol.

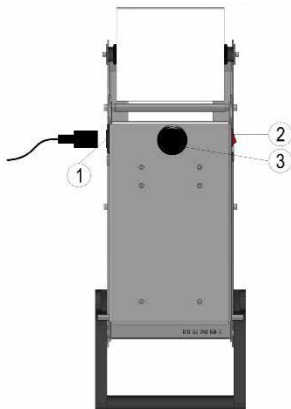
Bevestiging van de rol folie:

- Trek de rolsteun uit sleuf 1.
- Plaats de rol met folie 2 op de rolsteun 1 aan de achterkant van het apparaat.
- Schuif de steun met de roller terug in de gleuf.

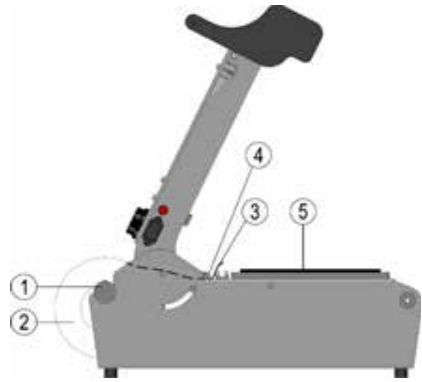
Inschakelen

Stappen om de sealer in te schakelen:

- Controleer of het apparaat op een stabiele plaats is geplaatst.
- Sluit de voedingskabel aan op socket 1 op het apparaat en vervolgens op het stopcontact van ~ 230V, uitgerust met een efficiënt circuit van de beschermende installatie (geaarde pen).
- Schakel het apparaat in door op de aan/uit-schakelaar te drukken 2.



- Draai het begin van de folie handmatig af en plaats deze onder de foliehouder 4.
- Plaats de folie op het oppervlak van het frame 5.



Het inschakelen van het apparaat wordt aangegeven door de achtergrondverlichting van de schakelaar.

GEWICHTIG:

Voor gebruik is voorverwarming vereist. (6 tot 10 minuten).

Dankzij het gebruik van een programmeerbare temperatuurregelaar wordt de temperatuur van de verwarmingsplaat na verwarming automatisch op het ingestelde niveau gehouden, wat zorgt voor stabiele omstandigheden voor het lasproces.

De sealer is uitgerust met een ingebouwd veiligheidsfoliesnijstelsel. De constructie van de sealer beschermt de machinist tegen brandwonden of snijwonden.

- Stel de temperatuur van de verwarmingsplaat in met de lastemperatuurregelaar.



Temperatuurinstelling

De temperatuur wordt geregeld door een knop met een ingedrukte temperatuurschaal. Mogelijke temperatuurinstelling in het bereik van 50 tot 210°C.

Afdichtingsproces

Als u vertrouwd bent met de veiligheidseisen van het gebruik, start u het lasproces volgens de volgende beschrijving. Stappen van het lasproces:

1. Plaats de gevulde container in het openingsframe.
2. Trek de folie over de container zodat deze volledig bedekt is met de folie

Zodra de verwarmingsplaat opwarmt tot de ingestelde temperatuur, gaat het lampje aan de zijkant van de behuizing af.

3. Pak de handgreep van het deksel vast en sluit de hoes.
4. Wacht 1-3 seconden. Folie gelast langs de randen van de lade.
5. Na het voltooiën van het lasproces - open de kap en haal de gesloten container eruit.

Reiniging en onderhoud

Reiniging

Nadat het apparaat is afgekoeld, verwijdert u de resten van de verpakte producten met een zachte borstel. Was het vuil indien nodig af met een zachte spons, licht bevochtigd met water en wasmiddel. Gebruik geen producten die niet bedoeld zijn voor

dit type antiaanbaklaag (zie het productblad van de reiniger). Verwijder eventuele onzuiverheden van de kookplaat met een zachte spons als de machine koel is.

Reparatie

In het geval van storingen stopt u onmiddellijk met het gebruik van het apparaat en koppelt u het los van de stroombron. Bekijk de antwoorden op veelgestelde vragen in Hoofdstuk "FAQ" en bekijk

de beschrijvingen van mogelijke oplossingen in Hoofdstuk "Probleemoplossing". Als het probleem zich blijft voordoen, neem dan contact op met uw dealer.

Reserveonderdelen

Als u tijdens het gebruik toegang tot reserveonderdelen nodig hebt, neem dan contact op met uw distributeur.

FAQ - Veelgestelde vragen

a. Kan ik de matrix vervangen door een ander type container te gebruiken?

Ja. Het vervangen van de matrix is eenvoudig. Verwijder de bestaande matrix en voeg een nieuwe in.

LET OP! Zorg ervoor dat je jezelf niet verbrandt op het oppervlak van de verwarmingsplaat.

b. Kan ik dezelfde matrix gebruiken voor verschillende vormen van containers?

Ja, dit is echter alleen mogelijk als de container één compartiment heeft en de lengte en breedte van de verschillende containers exact hetzelfde zijn. Als er scheidingen in dit gebied zijn, worden deze niet gelast.

c. Waar kan ik een nieuwe matrix bestellen?

Neem contact op met je distributeur

d. Kan ik containers op maat bestellen?

Ja, maar de bestelde hoeveelheid moet erg groot zijn. De kosten voor het maken van een matrix en een frame voor een atypische container moeten economisch verantwoord zijn.

e. Is het mogelijk om containers met een grotere capaciteit te gebruiken?

Ja, neem contact op met je distributeur.

Probleemoplossing

Problem	Mogelijke redenen	O oplossingen
De apparaat verzegelt de folie niet aan de rand van de container of de afdichting is te zwak	Dekselfolie is niet correct geplaatst.	Draai de rol om. Folie moet aan de voorkant van de container zijn.
	De rol folie is niet afgestemd op het materiaal waaruit de container is gemaakt.	Vervang de rol of container van de afdichtingsfolie.
	Te lage temperatuur	Verhoog de temperatuur
	Te korte lastijd	Laat het deksel langer dicht.
	De matrix is omgekeerd (met siliconenstrepen naar beneden)	Keer de matrix om.
	Gebrek aan siliconenstrepen op matrix	Vul openingen op en plaats nieuwe siliconenstrips in.
Het apparaat start niet op	Er zit een opening in de druklijn van de siliconenstrip.	Pas de positie van de strip aan.
	Het netsnoer is niet aangesloten op de voeding, of het apparaat is niet ingeschakeld.	Sluit het apparaat aan op de voeding en schakel het in
Afdichtingsfolie wordt niet afgesneden	Doorgebrande zekering	Neem contact op met een geautoriseerd servicecentrum.
	Het mes ontbreekt of beschadigd.	Neem contact op met de service voor het vervangen van een mes.

NL

Technische specificaties

Item nummer	976722
Buitenafmeting [apparaat]	637x258x(H)247 mm
Buitenafmeting (de rol folie)	Ø160 x (max) 200 mm
Buitenafmeting (dienblad)	195x250x(H)10 mm
Prestatie	8-10 cycli/min
Stroomverbruik (max)	700 W
Voedingsspanning	AC ~230V 50Hz
Zekering	5x20 vertraagd 3,15 A
Indicatoren	Licht inschakelen + Indicatorlampje verwarmingsplaat
Afdichtingsproces	Verwarmingsplaat met antiaanbaklaag met handmatig instelbare temperatuur
Eigenschappen	<ul style="list-style-type: none"> - Roestvrij stalen constructie, snelle matrixwisseling voor containers, - veilig en stabiel temperatuurregelsysteem, - de mogelijkheid om matrices te gebruiken die zijn aangepast aan de individuele behoeften van de gebruiker; - dwars snijden van de folie.
Net gewicht	10 kg



Garantie

Elk defect waardoor de werking van het apparaat nadelig wordt beïnvloed dat zich binnen één jaar na aankoop van het apparaat voordoet, wordt gratis hersteld door reparatie of vervanging, mits het apparaat conform de instructies is gebruikt en onderhouden en niet op enigertei wijze verkeerd is behandeld of misbruikt. Dit laat onverlet uw bij wet bepaalde rechten. Als de garantie van kracht is, vermeld dan waar en wanneer u het apparaat

hebt gekocht en sluit een aankoopbewijs bij (bijv. kassabon of factuur).

Gezien ons streven naar voortdurende verdere productontwikkeling behouden wij ons het recht voor, zonder voorafgaande kennisgeving wijzigingen aan te brengen aan product, verpakking en documentatie.

Verwijdering & milieu

Bij de buitengebruikstelling van het apparaat, mag het niet met het overige huisafval worden verwijderd. In plaats daarvan is het uw verantwoordelijkheid om uw afgedankte apparatuur in te leveren bij een daartoe aangewezen inzamelpunt. Het niet opvolgen van deze regel kan worden bestraft in overeenstemming met de geldende voorschriften voor afvalverwerking. De gescheiden inzameling en recycling van uw afgedankte apparatuur ten tijde van buitengebruikstelling helpt bij de instandhouding van natuurlijke hulpbronnen en waarborgt dat de

apparatuur wordt gerecycled op een manier die de volksgezondheid en het milieu beschermt.

Voor meer informatie over waar u uw afval kunt inleveren voor recycling kunt u contact opnemen met uw lokale afvalverwerkingsbedrijf. De fabrikant en importeurs nemen geen verantwoordelijkheid voor de recycling, behandeling en ecologische verwijdering, hetzij rechtstreeks of via een openbaar systeem.

Drogi Kliencie,

Dziękujemy za zakup tego urządzenia Hendi. Przeczytaj uważnie tę instrukcję, zwracając szczególną uwagę na przepisy bezpieczeństwa przedstawione poniżej, przed zainstalowaniem i użytkowaniem tego urządzenia po raz pierwszy.

Przepisy bezpieczeństwa



- Niniejsze urządzenie przeznaczone jest wyłącznie do użytku komercyjnego.
- Urządzenie należy używać wyłącznie zgodnie z przeznaczeniem, do którego zostało zaprojektowane zgodnie z opisem w niniejszej instrukcji.
- Producent nie ponosi odpowiedzialności za jakiegokolwiek szkody spowodowane nieprawidłowym działaniem i niewłaściwym użyciem.
- Przechowywać urządzenie i wtyczkę elektryczną z dala od wody i innych płynów. W przypadku, gdy urządzenie wpadnie do wody, natychmiast wyjmij wtyczkę zasilającą z gniazda. Nie używać urządzenia, dopóki nie zostanie sprawdzone przez certyfikowanego technika. Nieprzestrzeganie tych instrukcji spowoduje zagrożenie dla życia.
- Nigdy nie próbuj samodzielnie otwierać obudowy urządzenia.
- Nie wkładaj przedmiotów do obudowy urządzenia.
- Nie dotykać wtyczki mokrymi lub wilgotnymi dłońmi.
- ⚡ **NIEBEZPIECZEŃSTWO PORAŻENIA PRĄDEM!** Nie próbuj samodzielnie naprawiać urządzenia, naprawy mogą być wykonywane wyłącznie przez wykwalifikowany personel.
- **Nigdy nie używaj uszkodzonego urządzenia!** Po uszkodzeniu odłącz urządzenie od gniazda i skontaktuj się ze sprzedawcą.
- **OSTRZEŻENIE!** Nie zanurzaj części elektrycznych urządzenia w wodzie lub innych płynach.
- Nigdy nie trzymaj urządzenia pod bieżącą wodą.
- Regularnie sprawdzaj wtyczkę zasilającą i przewód pod kątem uszkodzeń. W przypadku uszkodzenia musi zostać zastąpiony przez agenta serwisowego lub podobnie wykwalifikowaną osobę w celu uniknięcia niebezpieczeństwa lub obrażeń.
- Upewnij się, że przewód nie styka się z ostrymi lub gorącymi przedmiotami i trzymaj go z dala od otwartego ognia. Nigdy nie pociągaj za przewód zasilający, aby odłączyć go od gniazda, zawsze za wtyczkę.
- Upewnij się, że przewód zasilający i/lub przedłużacz nie powodują zagrożenia przejazdem.
- Nigdy nie pozostawiaj urządzenia bez nadzoru podczas użytkowania.
- **OSTRZEŻENIE!** Dopóki wtyczka znajduje się w gnieździe, urządzenie jest podłączone do źródła zasilania.
- Wyłącz urządzenie przed odłączeniem go od gniazda.
- Podłącz wtyczkę do łatwo dostępnego gniazda elektrycznego, aby w nagłych wypadkach urządzenie mogło zostać natychmiast odłączone.
- Nigdy nie noś urządzenia za przewód.
- Nie należy używać żadnych dodatkowych urządzeń, które nie są dostarczane razem z urządzeniem.

PL



- Podłącz urządzenie tylko do gniazdka elektrycznego z napięciem i częstotliwością wymienioną na etykiecie urządzenia.
- Nigdy nie używaj akcesoriów innych niż zalecane przez producenta. Niezastosowanie się do tego może stanowić zagrożenie dla bezpieczeństwa użytkownika i spowodować uszkodzenie urządzenia. Używaj tylko oryginalnych części i akcesoriów.
- Urządzenie to nie powinno być obsługiwane przez osoby o ograniczonych możliwościach fizycznych, sensorycznych lub umysłowych, ani osoby, które mają brak doświadczenia i wiedzy.
- Urządzenie to w żadnym wypadku nie powinno być używane przez dzieci.
- Przechowywać urządzenie i jego przewód zasilający w miejscu niedostępnym dla dzieci.
- **OSTRZEŻENIE: ZAWSZE** wyłączyć urządzenie i odłączyć od gniazdka elektrycznego przed czyszczeniem, konserwacją lub przechowywaniem.

Specjalne przepisy bezpieczeństwa

- Urządzenie jest przeznaczone do hermetycznego pakowania na tackach polipropylenowych (PP), bądź wykonanych z materiałów ekologicznych, artykułów spożywczych przeznaczonych do bezpośredniego spożycia.
- Korzystaj z urządzenia wyłącznie zgodnie z instrukcją.
-  **RYZYKO POPARZENIA! NIE DOTYKAJ PŁYTY ZGRZEWAJĄCEJ!** Po użyciu urządzenia jest ona bardzo gorąca. Istnieje ryzyko poparzenia. Odczekaj, aż urządzenie ostygnie. Nie dotykaj urządzenia podczas jego pracy.
- Regularnie czyść urządzenie oraz usuwaj resztki jedzenia. Jeżeli urządzenie nie jest czyszczone regularnie, wpływa to negatywnie na jego trwałość oraz może prowadzić do niebezpiecznego stanu podczas użycia.
- Nie umieszczaj urządzenia na obiekcie emitującym ciepło (kuchenka gazowa, elektryczna, grill, itp.). Trzymaj urządzenie z dala od jakichkolwiek gorących powierzchni lub otwartego płomienia. Ustaw urządzenie na równej, stabilnej, czystej i suchej powierzchni, odpornej na działanie wysokich temperatur.
- Nie używaj urządzenia do pakowania artykułów łatwopalnych.
-  **NIEBEZPIECZEŃSTWO ZMIAŻDZENIA RĄK!** Nie wkładaj dłoni pod pokrywę urządzenia w czasie jej zamykania.

Przeznaczenie

- Urządzenie przeznaczone jest do zastosowania profesjonalnego.
- Urządzenie jest przeznaczone do hermetycznego pakowania na tackach polipropylenowych (PP), bądź wykonanych z materiałów ekologicznych, artykułów spożywczych przeznaczonych do bezpośredniego spożycia, sprzedawanych luzem na wagę, itp. Użycie urządzenia w jakimkolwiek innym celu może prowadzić do jego uszkodzenia lub do obrażeń ciała.
- Wykorzystanie urządzenia w jakimkolwiek innym celu uznane będzie za wykorzystanie niezgodne z przeznaczeniem. Użytkownik będzie wyłącznie odpowiedzialny za nieprawidłowe wykorzystanie urządzenia.

Instalacja uziemienia

Urządzenie to jest klasyfikowane jako **klasa ochrony I** i musi być połączony z podłożem ochronnym. Uziemienie zmniejsza ryzyko porażenia prądem elektrycznym, dostarczając przewód ewakuacyjny dla prądu elektrycznego. To urządzenie jest wy-

posażone w przewód zasilający, który ma przewód uziemiający i uziemioną wtyczkę. Wtyczka musi być podłączona do gniazdka, które jest prawidłowo zainstalowane i uziemione.

Informacje ogólne

Urządzenie jest dostosowane do gabarytów użytkowanych opakowań o maksymalnych wymiarach 227x178mm oraz opakowań okrągłych do średnicy 170mm i obejmuje modele z poprzecznym odcinaniem folii.

Metoda pakowania na tackach polipropylenowych (PP) i z materiałów ekologicznych pozwala na szybkie i bezpieczne pakowanie takich produktów jak:

- mięso,
- przetwory rybne,
- wyroby garmażeryjne,
- gotowe dania i półprodukty obiadowe,
- sałatki warzywne,
- owoce morza,
- warzywa marynowane w zalewie, oliwki itp.

Urządzenie znajduje szerokie zastosowanie w placówkach handlowych, gastronomicznych i cateringowych.

Metoda zgrzewania może być wykorzystywana także do pakowania drobnych artykułów przemysto-

wych, takich jak wkrety, kotki, nakrętki, podkładki, drobne elementy metalowe i z tworzyw, części i podzespoły elektroniczne, części zamienne oraz wiele innych rodzajów artykułów.

Gotowe opakowanie uzyskiwane za pomocą zgrzewarki, w postaci szczelnie zamkniętego folią pojemnika, charakteryzuje efektowny wygląd, wysoka estetyka i dobra widoczność zapakowanego produktu. Trwałe i szczelne zamknięcie opakowania zabezpiecza przed jego otwarciem w czasie transportu, zapewniając optymalną ochronę zapakowanego produktu przed możliwością rozlania, rozsypania lub wypadnięcia z opakowania i uszkodzenia. Zastosowane materiały opakowania zapewniają możliwość kontaktu opakowania z tłuszczami spożywczymi, a w wypadku opakowań o podwyższonej odporności na temperaturę zapewniona jest możliwość podgrzewania ich zawartości w kuchence mikrofalowej, bez wyjmowania z opakowania. Duża elastyczność zastosowanych materiałów zapewnia odporność opakowania na pęknięcie w szerokim zakresie temperatur przechowywania.

PL

Środowisko pracy

Nie należy instalować urządzenia:

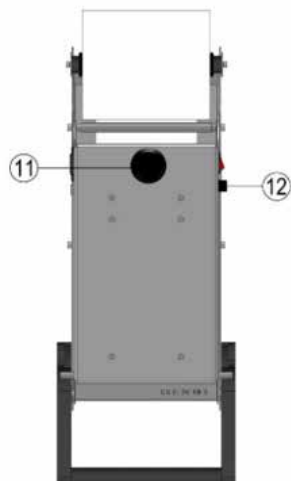
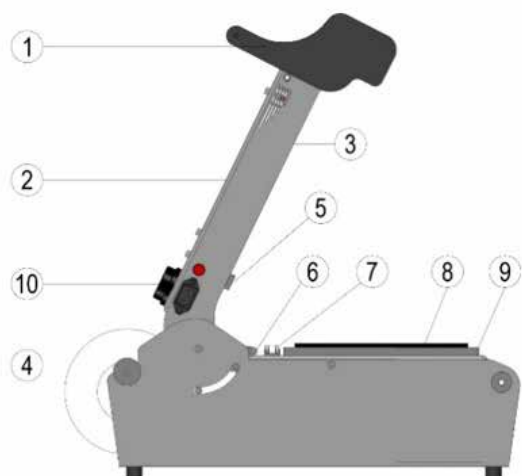
- Na powierzchni nie zapewniającej możliwości stabilnego ustawienia urządzenia.
- W pobliżu wirujących maszyn powodujących wibracje.
- W pomieszczeniach o dużym zapyleniu.
- W pomieszczeniach w których występuje atmosfera oparów łatwopalnych i agresywnych chemicznie.

Urządzenie przeznaczone jest do użytkowania w obiektach handlowych i spełniają wymagania klasy A dla emisji zakłóceń elektromagnetycznych zgodnie z normą EN 61000-6-3:2001.

Produkt klasy A, użytkowany w środowisku mieszkalnym, może być przyczyną zakłóceń elektromagnetycznych. W takim przypadku użytkownik powinien zastosować dodatkową ochronę przed zakłóceniami.



Widok ogólny

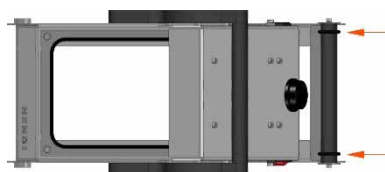


- 1. Uchwyt pokrywy, system dociskowy** - Zapewnia wygodne otwieranie i zamykanie urządzenia oraz właściwy docisk do zgrzania tacki. Zastosowany system ogranicza użycie siły mięśni osoby zgrzewającej.
- 2. Pokrywa** – ostatnia płytę grzejną
- 3. Płyta grzejna**
- 4. Rolka z folią** – folia nie jest dołączona do urządzenia
- 5. Nóż odcinający folię** - Zapewnia bezpieczne obcięcie folii po całkowitym zamknięciu pokrywy.
- 6. Uchwyt folii** - Zapewnia przytrzymanie krawędzi folii po odcięciu.
- 7. Odcinacz** - Zapewnia przytrzymanie i bezpieczne obcięcie folii po całkowitym zamknięciu pokrywy.
- 8. Uszczelka silikonowa pojemnika** - Dociska krawędź pojemnika do folii w miejscu zgrzewania.
- 9. Matryca pojemnika** - Zapewnia podtrzymanie tacki z produktem (Widok z góry matrycy jest dostosowany do kształtu pojemnika).
- 10. Włącznik zasilania (Przycisk)** - Pozwala na włączenie/wyłączenie urządzenia przez wciśnięcie przycisku (stan włączenia jest sygnalizowany przez podświetlenie przycisku).
- 11. Regulator temperatury** - Pozwala na regulację temperatury stosownie do rodzaju używanej folii oraz pojemników. Utrzymuje stałą temperaturę płyty grzejnej, zgodnie z wprowadzonym ustawieniem.
- 12. Gniazdo bezpiecznika.**

Obsługa

Przygotowanie

Rozstaw tulei (czerwone oznaczenie) należy dostosować do szerokości rolki z folią, zapewniając odpowiednie położenie folii względem pojemnika.



Zakładanie folii

UWAGA: W czasie zakładania folii zwrócić uwagę, aby strona przystosowana do zgrzewania była zwrócona ku dółowi.

WAŻNE:

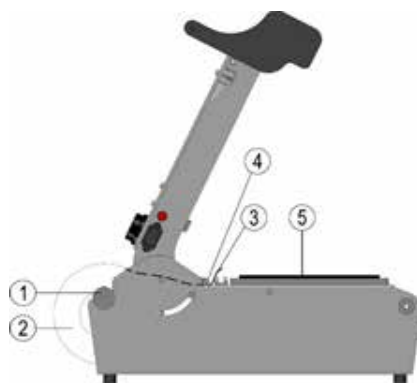
- Nie wolno zakładać folii tak, aby była ona zwrócona warstwą przeznaczoną do zgrzewania w kierunku do płyty grzewczej! Grozi to przyklejeniem folii do płyty grzewczej oraz zanieczyszczeniem jej powierzchni!
- Należy stosować wyłącznie rolki w których nawój folii jest zwinięty warstwą zgrzewalną do wnętrza rolki.

Zakładanie rolki z folią:

- Wyciągnij wspornik z gniazda 1.
- Umieść rolkę folii 2 na wsporniku rolki 1, znajdującego się z tyłu urządzenia.
- Wsuń wspornik wraz z rolką z powrotem do

gniazda.

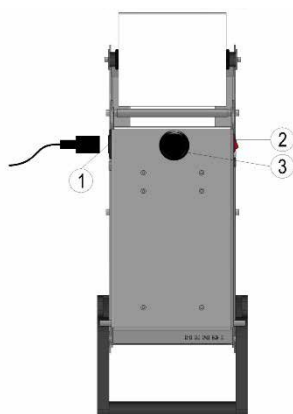
- Odwiń ręcznie początek folii 3 i przetóż pod uchwytem folii 4.
- Utóż folię na powierzchni ramki 5.



Włączanie urządzenia

Czynności związane z włączeniem urządzenia:

- Sprawdź, czy urządzenie jest ustawione w miejscu eksploatacji w sposób stabilny.
- Podłącz kabel zasilający urządzenie do gniazda 1 w urządzeniu, a następnie do gniazda sieci zasilającej ~230V, wyposażonego w sprawny obwód instalacji ochronnej (bolec uziemiający).
- Włącz urządzenie przez wciśnięcie przycisku włącznika zasilania 2.



Włączenie zasilania urządzenia jest sygnalizowane świeceniem podświetlenia przycisku włącznika.

WAŻNE:

Przed rozpoczęciem pracy urządzenie wymaga wstępnego nagrzania, trwającego od 6 do 10 min.

Dzięki zastosowaniu programowanego regulatora temperatury, temperatura płyty grzejnej po rozgrzaniu będzie automatycznie utrzymywana na zadanym poziomie, co zapewni stabilne warunki procesu zgrzewania.

Urządzenie jest wyposażone we wbudowany system bezpiecznego obcinania folii. Konstrukcja urządzenia chroni operatora przed oparzeniem lub skałeczeniem.

- Ustaw temperaturę płyty grzewczej za pomocą regulatora temperatury zgrzewania.



Regulacja temperatury

Regulacja temperatury odbywa się za pomocą pokrętki z naniesioną skalą temperatury. Możliwe ustawienie temperatury w zakresie od 50 do 210°C.

Proces zgrzewania

Jeżeli zapoznałeś się z zaleceniami dotyczącymi bezpieczeństwa obsługi, rozpocznij proces pakowania, postępując zgodnie z poniższym opisem.

Przebieg procesu zgrzewania:

1. Umieść napęczniony pojemnik w otworze ramki.
2. Pociągnij folię nad pojemnik, tak aby został on

W momencie nagrzania się płyty grzejnej do ustawionej temperatury kontrolka na boku obudowy zgaśnie.

nakryty folią w całości.

3. Chwyć uchwyt pokrywy i zamknij pokrywę
4. Odczekaj 1-3 sekund, aby nastąpiło zgrzanie folii wzdłuż linii krawędzi tacki.
5. Po zakończeniu procesu zgrzewania - otwórz pokrywę i wyjmij zamknięty pojemnik.

Czyszczenie i konserwacja

Czyszczenie

Po ostudzeniu urządzenia, usuń pozostałości pakowanych produktów miękką szcztką.

Jeżeli to konieczne, zmyj zanieczyszczenia miękką gąbką, lekko zwilżoną wodą z dodatkiem detergentu.

tu. Do płyty z powoką nieprzywierającą nie stosuj produktów nieprzeznaczonych do tego typu powłok (patrz karta produktu środka czyszczącego). Zanieczyszczenia z płyty grzejnej usuń miękką gąbką gdy maszyna jest ostudzona.

Naprawa

W przypadku nieprawidłowego działania natychmiast przerwij użytkowanie urządzenia i odłącz je od źródła zasilania.

Sprawdź odpowiedzi na najczęściej zadawane pytania zawarte w rozdziale „FAQ” i zapoznaj się z

opisami możliwych do zastosowania rozwiązań zawartymi w rozdziale „Rozwiązywanie problemów”. Jeśli problem nie ustąpi, skontaktuj się z dystrybutorem.

Części zamienne

Jeżeli w trakcie eksploatacji będziesz potrzebować dostępu do części zamiennych, skontaktuj się z dystrybutorem.

FAQ - Najczęściej zadawane pytania

a. Czy mogę wymienić matrycę w celu użycia innego rodzaju pojemnika?

Tak. Wymiana matrycy jest łatwa. Wyjmij dotychczas używaną matrycę i włóż nową.

c. Gdzie mogę zamówić nowe matryce?

W celu zamówienia nowych matryc należy skontaktować się dystrybutorem.

UWAGA! By nie oparzyć się o powierzchnię rozgrzanej płyty grzewczej.

b. Czy mogę używać tej samej matrycy do różnych kształtów pojemników?

Tak, jednak jest to możliwe tylko wtedy, gdy pojemnik ma jedną komorę, a długość i szerokość różnych pojemników są dokładnie takie same. Jeśli występują w tym obszarze podziały to nie zostaną one zgrzane.

d. Czy mogę zamówić niestandardowe wzory pojemników?

Tak, ale zamówiona ilość musi być bardzo duża. Poniesienie kosztu wykonania matrycy i ramki dla nietypowego pojemnika musi być uzasadnione ekonomicznie.

e. Czy możliwe jest wykorzystanie pojemników o większej pojemności?

Tak, skontaktuj się z dystrybutorem.

Rozwiązywanie problemów

Problem	Przyczyna	Rozwiązanie
Urządzenie nie zgrzewa folii do krawędzi pojemnika lub zgrzew jest zbyt słaby	Rolka folii wieczkowej jest nieprawidłowo umieszczona.	Odwróć rolkę folii uszczelniającej, tak aby warstwa zgrzewalna folii była zwrócona w kierunku pojemnika.
	Rolka folii wieczkowej nie jest dopasowana do materiału z którego wykonano pojemnik.	Zmień rolkę folii uszczelniającej lub pojemnik.
	Temperatura jest za niska.	Zwiększ temperaturę.
	Czas zgrzewania jest za krótki.	Pozostaw pokrywę w pozycji zamkniętej dłużej.
	Matryca jest odwrócona (Silikonowymi paskami w dół)	Odwróć matrycę.
	Brak silikonowego paska na matrycy.	Uzupełnij braki i włóż nowe paski silikonowe.
Urządzenie nie uruchamia się	W linii docisku silikonowego paska jest przerwa.	Wyreguluj położenie paska.
	Przewód zasilający nie jest podłączony do zasilania lub urządzenie nie jest włączone.	Podłącz urządzenie do zasilania i włącz je
Folia uszczelniająca nie jest odcięta	Przepalony bezpiecznik	Zgłoś się do serwisu
	Brakuje noża lub jest on uszkodzony.	Zgłoś do serwisu w celu wymiany noża.

PL

Dane techniczne

KOD	976722
Wymiar urządzenia	637x258x(H)247 mm
Wymiar roki folii	Ø160 x (max) 200 mm
Wymiary tacy	195x250x(H)10 mm
Wydajność	8-10 cykli/min
Max. Moc	700 W
Zasilanie	AC ~230V 50Hz
Bezpiecznik	5x20 zwłoczny 3,15 A
Wskaźniki	Wskaźnik włączenia + kontrolka nagrzania płyty grzejnej
Technologia zgrzewania	Płyta grzejna z powłoką nieprzywierającą o ręcznie regulowanej temperaturze
Właściwości	<ul style="list-style-type: none">- Konstrukcja ze stali nierdzewnej, szybka wymiana matryc dla pojemników,- bezpieczny i stabilny system regulacji temperatury,- możliwość użycia matryc dostosowanych do indywidualnych potrzeb użytkownika,- poprzeczne odcinanie folii.
Masa netto	10 kg



Gwarancja

Każda wada bądź usterka powodująca niewłaściwe funkcjonowanie urządzenia, która ujawni się w ciągu jednego roku od daty zakupu, zostanie bezpłatnie usunięta lub urządzenie zostanie wymienione na nowe, o ile było użytkowane i konserwowane zgodnie z instrukcją obsługi i nie było wykorzystywane w niewłaściwy sposób lub niezgodnie z przeznaczeniem. Postanowienie to w żadnej mierze nie narusza innych praw użytkownika wynikających z przepisów prawa. W przypadku zgłoszenia urzą-

żenia do naprawy lub wymiany w ramach gwarancji należy podać miejsce i datę zakupu urządzenia i dołączyć dowód zakupu (np. paragon).

Zgodnie z naszą polityką ciągłego doskonalenia wyrobów zastrzegamy sobie prawo do wprowadzania bez uprzedzenia zmian w wyrobie, opakowaniu oraz danych technicznych podawanych w dokumentacji.

Wycofanie z użytkowania i ochrona środowiska

Pamiętaj!

Nie wyrzucaj zużytego sprzętu łącznie z innymi odpadami

Nie demontuj zużytych urządzeń zawierających niebezpieczne składniki na własną rękę!

Groź Ci za to kary grzywny!

Po zakończeniu eksploatacji produktu nie wolno gromadzić razem z odpadami komunalnymi, tylko należy odstawić do punktu odbioru odpadów elektrycznych i elektronicznych. Użytkownik ponosi odpowiedzialność za przekazanie wycofanego z użytkowania urządzenia do punktu gospodarowania odpadami. Nieprzestrzeganie tej zasady może być karane zgodnie z lokalnie obowiązującymi przepisami dotyczącymi gospodarowania odpadami. Jeśli urządzenie wycofane z użytkowania jest poprawnie odebrane jako osobny odpad, może zostać przetworzone i zutylicowane w sposób przyjazny dla środowiska, co zmniejsza negatywny wpływ na środowisko i zdrowie ludzi. Aby uzyskać więcej informacji dotyczących dostępnych usług w zakresie

odbioru odpadów, należy skontaktować się z lokalną firmą odbierającą odpady.



Symbol przekreślonego kosza na śmieci oznacza, że tego produktu nie wolno wyrzucać do zwykłych pojemników na odpady.

Zużyte urządzenia elektryczne i elektroniczne mogą zawierać niebezpieczne składniki np. rtęć, ołów, kadm lub freon. Jeśli tego typu substancje przedostaną się w sposób niekontrolowany do środowiska, spowodują skażenie wody i gleby, a także wpłyną niekorzystnie na zdrowie ludzi i zwierząt.

Właściwe postępowanie ze zużytym sprzętem zapobiega potencjalnym negatywnym konsekwencjom dla środowiska naturalnego i ludzkiego zdrowia.

Jednocześnie oszczędzamy naturalne zasoby naszej Ziemi wykorzystując powtórnie surowce uzyskane z przetwarzania sprzętu.

Cher client,

Merci d'avoir acheté cet appareil Hendi. Lisez attentivement ce manuel, en accordant une attention particulière aux règles de sécurité décrites ci-dessous, avant d'installer et d'utiliser cet appareil pour la première fois.

Règlement sur la sécurité



- Cet appareil est destiné à un usage professionnel uniquement.
- N'utilisez l'appareil qu'aux fins prévues pour lesquelles il a été conçu comme décrit dans le présent manuel.
- Le fabricant n'est pas responsable des dommages causés par un mauvais fonctionnement et une mauvaise utilisation.
- Gardez l'appareil et la prise électrique à l'écart de l'eau et des autres liquides. Dans le cas où l'appareil tombe dans l'eau, retirez immédiatement la prise d'alimentation de la prise. N'utilisez pas l'apppliance tant qu'elle n'a pas été vérifiée par un technicien certifié. Si vous ne respectez pas ces instructions, vous risquez de mettre la vie en danger.
- N'essayez jamais d'ouvrir le boîtier de l'appareil par vous-même.
- N'insérez pas d'objets dans le boîtier de l'appareil.
- Ne touchez pas la prise avec les mains mouillées ou humides.
- ⚠ **DANGER DE CHOC ÉLECTRIQUE!** N'essayez pas de réparer l'appareil par vous-même, les réparations doivent être effectuées uniquement par du personnel qualifié.
- **N'utilisez jamais un appareil endommagé!** Lorsqu'il est endommagé, débranchez l'appareil de la prise et contactez le détaillant.
- **AVERTISSEMENT!** Ne pas immerger les parties électriques de l'appareil dans de l'eau ou d'autres liquides.
- Ne tenez jamais l'appareil sous l'eau courante.
- Vérifiez régulièrement la prise d'alimentation et le cordon pour tout dommage. Lorsqu'il est endommagé, il doit être remplacé par un agent de service ou une personne qualifiée de la même manière afin d'éviter un danger ou une blessure.
- Assurez-vous que le cordon n'entre pas en contact avec des objets tranchants ou chauds et maintenez-le à l'écart du feu ouvert. Ne tirez jamais le cordon d'alimentation pour le débrancher de la prise, tirez toujours la prise à la place.
- Assurez-vous que le cordon d'alimentation et/ou le rallonge ne présentent pas de risque de déclenchement.
- Ne laissez jamais l'apppliance sans surveillance pendant l'utilisation.
- **AVERTISSEMENT!** Tant que la prise est dans la prise, l'apppliance est connectée à la source d'alimentation.
- Éteignez l'apppliance avant de le débrancher de la prise.
- Connectez la prise d'alimentation à une prise électrique facilement accessible afin qu'en cas d'urgence l'appareil puisse être débranché immédiatement.
- Ne portez jamais l'appareil par le cordon.
- N'utilisez pas de périphériques supplémentaires qui ne sont pas fournis avec la solution matérielle-logicielle.

FR



- Connectez uniquement l'appareil à une prise électrique dont la tension et la fréquence sont indiquées sur l'étiquette de l'appareil.
- N'utilisez jamais d'accessoires autres que ceux recommandés par le fabricant. Le fait de ne pas le faire pourrait présenter un risque pour la sécurité de l'utilisateur et pourrait endommager l'appareil. Utilisez uniquement des pièces et accessoires d'origine.
- Cet appareil ne doit pas être utilisé par des personnes ayant des capacités physiques, sensorielles ou mentales réduites, ou par des personnes qui ont un manque d'expérience et de connaissances.
- Cet appareil ne doit en aucun cas être utilisé par des enfants.
- Gardez l'appareil et son cordon d'alimentation hors de portée des enfants.
- **ATTENTION:** éteignez TOUJOURS l'appareil et débranchez de la prise d'alimentation avant le nettoyage, l'entretien ou le stockage.

Règlement spécial sur la sécurité

- L'appareil sont conçues pour l'emballage hermétique de produits alimentaires, vendus en vrac, etc., sur des plateaux en polypropylène (PP) ou en matériaux écologiques.
- Utilisez l'appareil uniquement conformément aux instructions.
-  **RISQUE DE BRÛLURES ! NE TOUCHEZ PAS LA PLAQUE D'ÉTANCHÉITÉ!** Après avoir utilisé l'appareil, la plaque est très chaude. Il y a un risque de brûlures. Attendez à ce que l'appareil soit refroidi. Ne touchez pas l'appareil pendant son fonctionnement.
- Nettoyez régulièrement l'appareil et retirez les restes de nourriture. Si l'appareil n'est pas propre, cela peut affecter sa durée de vie et créer des conditions dangereuses pendant l'utilisation.
- Ne placez pas l'appareil sur des sources de chaleur (cuisinières à gaz, électriques, au charbon etc.). Evitez de tenir l'appareil près des flammes nues. Utilisez l'appareil toujours sur une surface plate, stable, propre, sèche et résistante à des températures élevées.
- N'utilisez pas l'appareil pour emballer des articles inflammables.
-  **DANGER D'ÉCRASEMENT DES MAINS!** Soyez prudent pendant la fermeture du couvercle.

Utilisation prévue

- L'appareil est destiné à un usage professionnel.
- L'appareil sont conçues pour l'emballage hermétique de produits alimentaires destinés à la consommation directe, vendus en vrac, etc., sur des plateaux en polypropylène (PP) ou en matériaux écologiques. L'utilisation de l'appareil pour toute autre fin peut entraîner des dommages à l'appareil ou des blessures.
- L'utilisation de l'appareil à d'autres fins sera considérée comme une utilisation inappropriée. L'utilisateur sera seul responsable de l'utilisation incorrecte de l'appareil.

Installation de mise à la terre

Cet appareil est classé dans la **classe de protection I** et doit être raccordé à un sol de protection. La mise à la terre réduit le risque de choc électrique en fournissant un fil d'évacuation pour le courant électrique. Cet appareil est équipé d'un cordon

d'alimentation muni d'un fil de mise à la terre et d'une prise mise à la terre. La fiche doit être branchée sur une prise correctement installée et mise à la terre.

Informations générales

L'appareil sont adaptées aux dimensions de l'emballage utilisé avec des dimensions maximales de 227 x 178 mm et des emballages ronds d'un diamètre maximal de 170 mm, ainsi qu'aux modèles à découpe transversale.

La méthode d'emballage en polypropylène (PP) ou en plateaux de matériaux écologiques permet un emballage rapide et sûr de produits tels que :

- viande,
- produits à base de poisson,
- charcuterie,
- les plats cuisinés et les plats demi-finis,
- salades de légumes,
- fruits de mer,
- légumes marinés, olives, etc.

L'appareil est largement utilisé dans les établissements commerciaux, gastronomiques et de restauration.

La méthode de soudage peut également être utilisée pour emballer de petits articles industriels,

tels que vis, goupilles, écrous, rondelles, petites pièces métalliques et plastiques, pièces et composants électroniques, pièces de rechange et de nombreux autres types d'articles.

L'emballage fini, sous la forme d'un récipient scellé, se caractérise par une apparence attrayante, une esthétique élevée et une bonne visibilité du produit emballé. La fermeture durable et étanche de l'emballage protège contre l'ouverture pendant le transport, assurant une protection optimale du produit emballé contre le renversement, la dispersion ou la chute de l'emballage ou des dommages. Les matériaux d'emballage permettent à l'emballage d'entrer en contact avec des graisses comestibles et, dans le cas d'emballages présentant une résistance accrue à la température, il est possible de chauffer leur contenu dans un four à micro-ondes sans les retirer de l'emballage. La grande flexibilité de ces matériaux garantit que l'emballage résiste aux fissures dans une large gamme de températures de stockage.

FR

Environnement de travail

N'installez pas de scelleurs à plateaux :

- Sur une surface qui ne permet pas un réglage stable de l'appareil.
- Machines vibrantes près rotatives.
- Dans les endroits poussiéreux.
- Dans les endroits où l'atmosphère est caractérisée par des vapeurs inflammables et chimiquement agressives.

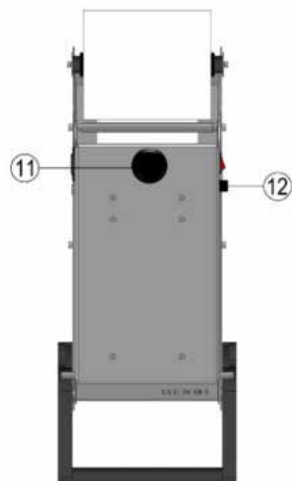
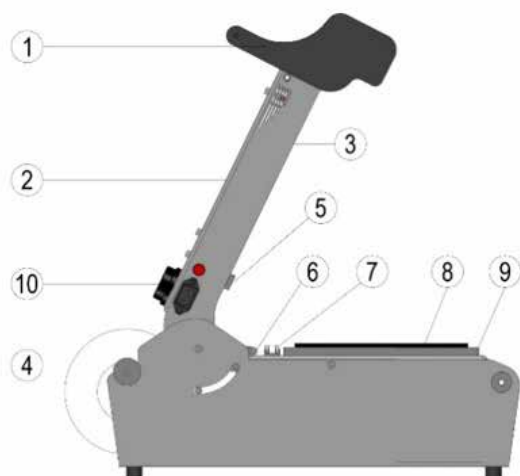
Les scelleurs de plateaux sont destinés à être

utilisés dans des installations commerciales et répondent aux exigences de la classe A pour les émissions d'interférences électromagnétiques conformément à la norme EN 61000-6-3:2001.

Un produit de classe utilisé dans un environnement résidentiel peut provoquer des interférences électromagnétiques. Dans ce cas, l'utilisateur doit fournir une protection supplémentaire contre les interférences.



Vue générale



- 1. Poignée de couvercle, système de pression** - Permet une ouverture et une fermeture pratiques de l'appareil et la pression correcte pour souder le plateau. Le système appliqué ne nécessite pas la force d'utilisation plus que nécessaire.
- 2. Housse** - Protéger la plaque chauffante.
- 3. Plaque chauffante**
- 4. Rouler avec du papier d'aluminium** - Le film n'est pas inclus avec le scellant.
- 5. Couteau coupe-feuille** - S'assure que la feuille est coupée en toute sécurité une fois le couvercle complètement fermé.
- 6. Porte-feuille** - Assure le maintien du bord de la feuille après la coupe.
- 7. Cutter** - Veille à ce que la feuille soit maintenue et coupée en toute sécurité une fois le

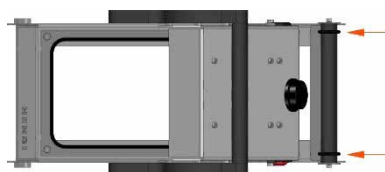
couvercle complètement fermé.

- 8. Joint en silicone du récipient** - Presse le bord du récipient sur la feuille au point d'étanchéité.
- 9. Matrice du conteneur** - Assure le support du plateau produit (la vue de dessus de la matrice est adaptée à la forme du conteneur).
- 10. Interrupteur principal (bouton)** - Permet d'allumer/éteindre l'appareil en appuyant sur le bouton (l'état d'allumage est indiqué par le rétroéclairage du bouton).
- 11. Régulateur de température** - Permet de régler la température en fonction du type de feuille et de récipients. Maintient la température de la plaque chauffante constante comme réglé.
- 12. Fusible**

Manuel

Préliminaires

L'espacement de la douille (marquage rouge) doit être ajusté à la largeur du rouleau avec du papier d'aluminium, ce qui garantit la bonne position de la feuille par rapport au récipient.



Application de feuille

REMARQUE : Lorsque vous appliquez la feuille, assurez-vous que le côté à souder est orienté vers le bas.

IMPORTANT:

- Ne placez pas la feuille de façon à ce qu'elle fasse face à la plaque chauffante avec la couche destinée au soudage ! Il peut coller le film sur la plaque chauffante et contaminer sa surface !
- Utilisez uniquement des rouleaux dans lesquels l'enroulement du film est enroulé avec une couche soudable à l'intérieur du rouleau.

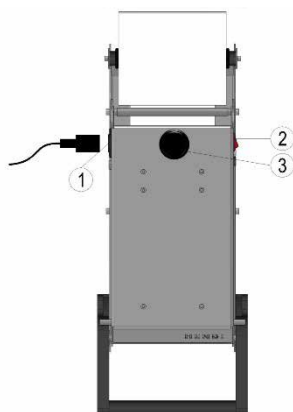
Fixation du rouleau de feuille :

- Retirez le support de rouleau de la fente 1.
- Placez le rouleau avec du papier d'aluminium 2 sur le support de rouleau 1 situé à l'arrière de l'appareil.

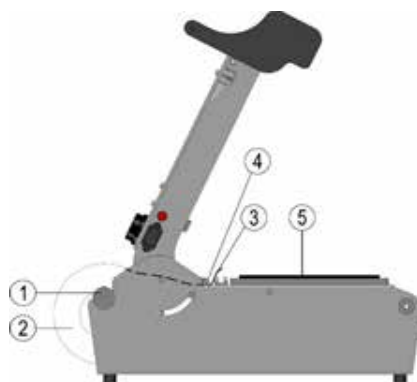
Mise en marche

Étapes à suivre pour allumer le scellant :

- Vérifiez que l'appareil est placé dans un endroit stable.
- Connectez le câble d'alimentation à la prise 1 de l'appareil, puis à la prise secteur ~ 230V, équipée d'un circuit efficace de l'installation de protection (broche mise à la terre).
- Allumez l'appareil en appuyant sur l'interrupteur d'alimentation 2.



- Faites glisser le support avec le rouleau dans la fente.
- Déroulez manuellement le début du film 3 et placez-le sous le porte-feuille 4.
- Placer le film sur la surface du cadre 5.



La mise sous tension de l'appareil est indiquée par le rétroéclairage de l'interrupteur.

IMPORTANT:

Avant utilisation, le préchauffage est nécessaire. (6 à 10 minutes).

Grâce à l'utilisation d'un régulateur de température programmable, la température de la plaque chauffante après chauffage sera automatiquement maintenue au niveau défini, ce qui garantira des conditions stables pour le processus de soudage.

Le scellant est équipé d'un système de coupe de feuille de sécurité intégré. La construction du scellant protège l'opérateur contre les brûlures ou les coupures.

- Réglez la température de la plaque chauffante à l'aide du régulateur de température de soudage.



Réglage de la température

La température est régulée par un bouton doté d'une échelle de température imprimée. Réglage possible de la température dans la plage de 50

Procédé de soudage

Si vous connaissez bien les exigences de sécurité d'utilisation, commencez le processus de soudage, conformément à la description suivante. Étapes du processus de soudage :

1. Placez le récipient rempli dans le cadre d'ouverture.
2. Tirez le papier d'aluminium sur le récipient de façon à ce qu'il soit complètement recouvert

à 210°C. Dès que la plaque chauffante atteint la température fixée, la lumière sur le côté du boîtier s'éteint.

de la feuille.

3. Saisissez la poignée du couvercle et fermez le couvercle.
4. Attendez 1 à 3 secondes. Feuille soudée le long des bords du plateau.
5. Après avoir terminé le processus de soudage, ouvrez le couvercle et retirez le récipient fermé.

Nettoyage et entretien

Nettoyage

Une fois l'appareil refroidi, retirez les restes des produits emballés à l'aide d'une brosse douce. Si nécessaire, lavez la saleté avec une éponge douce légèrement humidifiée avec de l'eau et du détergent. N'utilisez pas de produits non destinés

à ce type de revêtement antiadhésif (voir la fiche produit du nettoyeur). Enlevez toutes les impuretés de la plaque de cuisson avec une éponge douce lorsque la machine est froide.

Réparation

En cas de dysfonctionnement, arrêtez immédiatement d'utiliser l'appareil et déconnectez-le de la source d'alimentation. Consultez les réponses aux questions fréquemment posées dans le chapitre

«FAQ - Foire aux questions» et consultez la description des solutions possibles au chapitre «Dépannage». Si le problème persiste, contactez votre concessionnaire.

Pièces de rechange

Si vous avez besoin d'accéder à des pièces de rechange pendant le fonctionnement, contactez votre distributeur.

FAQ - Foire aux questions

a. Puis-je remplacer la matrice pour utiliser un autre type de conteneur ?

Oui. Le remplacement de la matrice est facile. Supprimez la matrice existante et insérez-en une nouvelle.

cette zone, elles ne seront pas soudées.

c. Où puis-je commander une nouvelle matrice ?

Contactez votre distributeur.

ATTENTION! Veillez à ne pas vous brûler à la surface de la plaque chauffante.

b. Puis-je utiliser la même matrice pour différentes formes de conteneurs ?

Oui, cependant, cela n'est possible que si le conteneur comporte un compartiment et que la longueur et la largeur des différents conteneurs sont exactement les mêmes. S'il y a des divisions dans

d. Puis-je commander des conteneurs personnalisés ?

Oui, mais la quantité commandée doit être très importante. Le coût de fabrication d'une matrice et d'un cadre pour un conteneur atypique doit être économiquement justifié.

e. Est-il possible d'utiliser des conteneurs de plus grande capacité ?

Oui, veuillez contacter votre distributeur.

Dépannage

Problème	Cause	Solutions
L'appareil ne scelle pas la feuille sur le bord du récipient ou le joint est trop faible	Le rouleau de feuille du couvercle n'est pas positionné correctement.	Inversez le rouleau. La feuille doit être face au récipient.
	Le rouleau de feuille n'est pas adapté au matériau à partir duquel le récipient est fabriqué.	Changer le rouleau de feuille d'étanchéité ou le récipient.
	Température trop basse.	Augmentation de la température.
	Temps de soudage trop court.	Laissez le couvercle fermé plus longtemps.
	La matrice est inversée (avec des bandes de silicone orientées vers le bas)	Inverser la matrice.
	Absence de bandes de silicone sur la matrice.	Remplissez les vides et insérez de nouvelles bandes de silicone.
L'appareil ne démarre pas	Il y a un espace dans la conduite de pression de la bande de silicone.	Réglez la position de la bande.
	Le cordon d'alimentation n'est pas connecté au bloc d'alimentation ou la machine n'est pas sous tension.	Connectez l'appareil au bloc d'alimentation et allumez-le.
	Fusible grillé	Contactez votre fournisseur
La feuille d'étanchéité n'est pas coupée	Le couteau est manquant ou endommagé.	Contact au service pour le remplacement du couteau.

FR

Caractéristiques techniques

Produit numéro	976722
Dimensions	637x258x(H)247 mm
Dimensions - rouleau de feuille	Ø160 x (max) 200 mm
Dimensions - plateau	195x250x(H)10 mm
La productivité	8-10 cycles/min
Max. d'énergie	700 W
Tension	AC ~230V 50Hz
Fusible	5x20 temporisé 3,15 A
Indicateurs	Voyant allumé + voyant lumineux de plaque chauffante
Technologie de soudage	Plaque chauffante avec revêtement antiadhésif à température réglable manuellement
Propriétés	<ul style="list-style-type: none">- Construction en acier inoxydable, changement rapide de matrice pour conteneurs,- système de contrôle de la température sûr et stable,- la possibilité d'utiliser des matrices adaptées aux besoins individuels de l'utilisateur,- découpe transversale de la feuille.
Poids net	10 kg



Garantie

Tout vice ou toute défaillance entraînant un dysfonctionnement de l'appareil qui se déclare dans les 12 mois suivant la date de l'achat sera éliminé à titre gratuit ou l'appareil sera remplacé par un appareil nouveau si le premier a été dûment exploité et entretenu conformément aux termes de la notice d'exploitation et s'il n'a pas été indûment exploité ou de manière non conforme à sa destination. La présente stipulation ne porte pas de préjudice aux autres droits de l'utilisateur prévus par les dispositions légales. Dans le cas où l'appareil est donné à la réparation ou doit être remplacé

dans le cadre de la garantie, il y a lieu de spécifier le lieu et la date de l'achat de l'appareil et produire un justificatif nécessaire (par ex. facture ou ticket de caisse).

Conformément à notre politique d'amélioration permanente de nos produits, nous nous réservons le droit d'introduire sans avertissement préalable des modifications à l'appareil, à l'emballage et aux caractéristiques techniques précisées dans la documentation.

Élimination et protection de l'environnement

En cas de retrait du produit de l'exploitation l'appareil ne peut pas être jeté avec d'autres déchets ménagers. L'utilisateur est responsable de la remise de l'équipement au point de collecte approprié pour l'équipement usagé. Le non-respect des dispositions ci-dessus peut entraîner les pénalités conformément à la réglementation applicable en matière d'élimination des déchets. La collecte sélective et le recyclage des équipements usagés contribuent à la conservation des ressources natu-


relles et assurent un recyclage sans danger pour la santé et l'environnement.

Pour plus d'informations sur les endroits de collecte des équipements usagés pour le recyclage, contactez la société de collecte des déchets locale. Le producteur et l'importateur ne sont pas responsables du recyclage et du traitement des déchets d'une manière respectueuse de l'environnement directement et dans le système public.

Gentile Cliente,

Grazie per aver acquistato questo apparecchio Hendi. Leggere attentamente questo manuale, prestando particolare attenzione alle norme di sicurezza descritte di seguito, prima di installare e utilizzare questo apparecchio per la prima volta.

Norme di sicurezza



- Questo apparecchio è destinato esclusivamente all'uso commercial.
- Utilizzare l'apparecchio solo per lo scopo previsto per il quale è stato progettato come descritto nel presente manuale.
- Il produttore non è responsabile per eventuali danni causati da un funzionamento scorretto e da un uso improprio.
- Tenere l'apparecchio e la spina elettrica lontano da acqua e altri liquidi. Nel caso in cui l'apparecchio cada in acqua, rimuovere immediatamente la spina di alimentazione dalla presa. Non utilizzare l'apparecchio fino a quando non è stato controllato da un tecnico certificato. Il mancato rispetto di queste istruzioni causerà rischi pericolosi per la vita.
- Non tentare mai di aprire l'alloggiamento dell'apparecchio da soli.
- Non inserire oggetti nell'alloggiamento dell'apparecchio.
- Non toccare la spina con le mani bagnate o umide.
-  **PERICOLO DI SCOSSE ELETTRICHE!** Non tentare di riparare l'apparecchio da solo, le riparazioni devono essere eseguite solo da personale qualificato.
- **Non utilizzare mai un apparecchio danneggiato!** Quando è danneggiato, scollegare l'apparecchio dalla presa e contattare il rivenditore.
- **AVVERTIMENTO!** Non immergere le parti elettriche dell'apparecchio in acqua o altri liquidi.
- Non tenere mai l'apparecchio sotto l'acqua corrente.
- Controllare regolarmente la spina e il cavo di alimentazione per eventuali danni. Se danneggiato, deve essere sostituito da un agente di servizio o da una persona altrettanto qualificata al fine di evitare pericoli o lesioni.
- Assicurarsi che il cavo non entri in contatto con oggetti appuntiti o caldi e tenerlo lontano dal fuoco aperto. Non tirare mai il cavo di alimentazione per scollegarlo dalla presa, staccare sempre la spina.
- Assicurarsi che il cavo di alimentazione e/o la prolunga non causino rischi di inciampare.
- Non lasciare mai l'apparecchio incustodito durante l'uso.
- **AVVERTIMENTO!** Finché la spina si trova nella presa, l'apparecchio è collegato alla fonte di alimentazione.
- Spegnerne l'apparecchio prima di scollegarlo dalla presa.
- Collegare la spina di alimentazione a una presa elettrica facilmente accessibile in modo che in caso di emergenza l'apparecchio possa essere scollegato immediatamente.
- Non portare mai l'apparecchio con il cavo.
- Non utilizzare dispositivi aggiuntivi non forniti insieme all'apparecchio.

IT



- Collegare l'apparecchio a una presa elettrica solo con la tensione e la frequenza indicati sull'etichetta dell'apparecchio.
- Non utilizzare mai accessori diversi da quelli consigliati dal produttore. In caso contrario, potrebbe comportare un rischio per la sicurezza dell'utente e danneggiare l'apparecchio. Utilizzare solo parti e accessori originali.
- Questo apparecchio non deve essere utilizzato da persone con capacità fisiche, sensoriali o mentali ridotte o da persone che hanno una mancanza di esperienza e conoscenze.
- Questo apparecchio non deve, in nessun caso, essere utilizzato dai bambini.
- Tenere l'apparecchio e il suo cavo di alimentazione fuori dalla portata dei bambini.
- **ATTENZIONE:** spegnere SEMPRE l'apparecchio e scollegarlo dalla presa di corrente prima della pulizia, della manutenzione o della conservazione.

Norme speciali di sicurezza

- Il dispositivo sono progettate per il confezionamento ermetico di prodotti alimentari, venduti sfusi a peso, ecc., su vassoi in polipropilene (PP) o realizzati con materiali ecologici.
- Utilizzare l'apparecchio solo in conformità con le istruzioni.
-  **RISCHIO DI USTIONI! NON TOCCARE LA PIASTRA DI SIGILLATURA!** Dopo aver utilizzato il dispositivo la piastra è molto calda. Esiste un rischio di ustioni. Aspettare che il dispositivo si raffreddi. Non toccare l'apparecchio durante il suo funzionamento.
- Pulire regolarmente l'apparecchio e rimuovere eventuali residui di cibo. Se l'apparecchio non è tenuto pulito questo può compromettere la sua durata e causare condizioni pericolose durante l'uso.
- Non posizionare l'apparecchio su fonti di calore (fornello a gas, elettrico, carbone ecc.). Evitare di tenere l'apparecchio vicino a fiamme libere. Utilizzare l'apparecchio sempre su una superficie piana, stabile, pulita, asciutta e resistente ad alte temperature.
- Non utilizzare l'apparecchio per imballare articoli infiammabili.
-  **PERICOLO DI SCHIACCIARE LE MANI!** Quando si chiude, non mettere le mani sotto il coperchio dell'apparecchio.

Uso previsto

- Il dispositivo è destinato all'uso professionale.
- Il dispositivo sono progettate per il confezionamento ermetico di prodotti alimentari destinati al consumo diretto, venduti sfusi a peso, ecc., su vassoi in polipropilene (PP) o realizzati con materiali ecologici. L'uso del dispositivo per qualsiasi

altro scopo può causare danni o lesioni.

- L'uso del dispositivo per qualsiasi altro scopo sarà considerato un uso improprio. L'utente sarà l'unico responsabile per l'uso scorretto del dispositivo.

Installazione di messa a terra

Questo dispositivo è classificato come **classe di protezione I** e deve essere collegato a un terreno di protezione. La messa a terra riduce il rischio di scosse elettriche fornendo un filo di fuga per la corrente elettrica. Questo apparecchio è dotato di

un cavo di alimentazione che ha un cavo di messa a terra e una spina messa a terra. La spina deve essere collegata a una presa correttamente installata e messa a terra.

Informazioni generali

Il dispositivo sono adattate alle dimensioni dell'imballaggio usato con dimensioni massime di 227x178mm e imballaggi rotondi con diametro massimo di 170mm e anche per modelli con taglio lamina trasversale.

Il metodo di imballaggio in polipropilene (PP) o in vassoi di materiali ecologici consente un confezionamento rapido e sicuro di prodotti come:

- carne,
- pesci
- gastronomia,
- piatti pronti e pasti semilavorati,
- insalate di verdure,
- frutti di mare,
- verdure in salamoia sott'olio, olive, ecc.

Il dispositivo può essere utilizzato negli stabilimenti commerciali, gastronomici e di ristorazione.

Il metodo di saldatura può essere utilizzato anche per il confezionamento di piccoli articoli industria-

li, come viti, perni, dadi, rondelle, piccole parti in metallo e plastica, parti e componenti elettronici, pezzi di ricambio e molti altri tipi di articoli.

L'imballaggio completato, sotto forma di contenitore sigillato, è caratterizzato da un aspetto attraente, un'elevata estetica e una buona visibilità del prodotto confezionato. La chiusura resistente e aderente della confezione protegge dall'apertura durante il trasporto, garantendo una protezione ottimale del prodotto imballato da fuoriuscite, dispersioni o cadute dalla confezione o danni.

I materiali di imballaggio consentono all'imballaggio di entrare in contatto con grassi commestibili e, nel caso di imballaggi con maggiore resistenza alla temperatura, è possibile riscaldarne il contenuto in un forno a microonde senza toglierli dalla confezione. L'elevata flessibilità di questi materiali assicura che l'imballaggio sia resistente alle fessurazioni in un'ampia gamma di temperature di conservazione.

Ambiente di lavoro

Non installare dispositivo per vassoi:

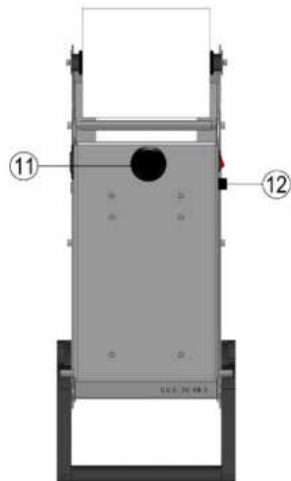
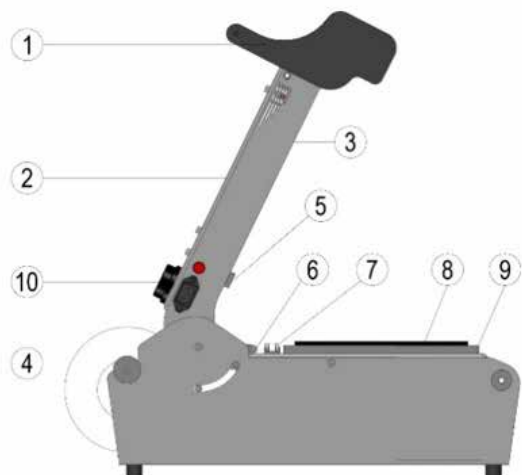
- Su una superficie che non consente una regolazione stabile dell'apparecchio.
- Accanto alle macchine quasi rotanti e vibranti.
- In luoghi polverosi.
- In luoghi con un'atmosfera di vapori infiammabili e chimicamente aggressivi.

I sigillanti per vassoi sono destinati all'uso in strutture commerciali e soddisfano i requisiti della classe A per le emissioni di interferenze elettromagnetiche secondo la norma EN 61000-6-3:2001.

Prodotto di classe A utilizzato in un ambiente residenziale può causare interferenze elettromagnetiche. In questo caso, l'utente dovrebbe fornire una protezione aggiuntiva contro le interferenze.



Panoramica generale

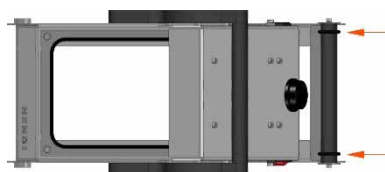


- 1. Maniglia di copertura, sistema di pressione** - Fornisce una comoda apertura e chiusura del dispositivo e la corretta pressione per saldare il vassoio. Il sistema applicato non richiede la forza d'uso più di quanto sia necessario.
- 2. Copertura** - Protezione piastra riscaldante.
- 3. Piastra riscaldante.**
- 4. Rotolo con pellicola** - La pellicola non è inclusa con il dispositivo.
- 5. Coltello da taglio a lamina** - assicura che la pellicola sia tagliata in modo sicuro dopo che il coperchio è completamente chiuso.
- 6. Supporto per pellicola** - assicura di tenere il bordo della pellicola dopo il taglio.
- 7. Taglierina** - assicura che la pellicola sia tenuta e tagliata in modo sicuro dopo che il coperchio è completamente chiuso.
- 8. Guarnizione in silicone del contenitore** - Pre-me il bordo del contenitore sulla pellicola nel punto di sigillatura.
- 9. Matrice contenitore** - Garantisce il supporto del vassoio del prodotto (la vista superiore della matrice è adattata alla forma del contenitore).
- 10. Interruttore principale (pulsante)** - Consente di accendere e spegnere il dispositivo premendo il pulsante (lo stato di accensione è indicato dalla retroilluminazione del pulsante).
- 11. Regolatore di temperatura** - consente di regolare la temperatura in base al tipo di pellicola e contenitori. Mantiene costante la temperatura della piastra riscaldante come impostata.
- 12. Fusibile.**

Manuale

Preliminari

La distanza della boccola (marcatura rossa) deve essere regolata in base alla larghezza del rotolo con un foglio, garantendo la corretta posizione della pellicola rispetto al contenitore.



Applicazione pellicola

ATTENZIONE: Quando si applica la pellicola, assicurarsi che il lato da saldare sia rivolto verso il basso.

IMPORTANTE:

- Non mettere la pellicola in modo che faccia fronte alla piastra riscaldante con lo strato destinato alla saldatura! Può attaccare la pellicola alla piastra riscaldante e contaminarne la superficie.
- Utilizzare solo rotoli in cui l'avvolgimento della pellicola viene avvolto con uno strato saldabile all'interno del rotolo.

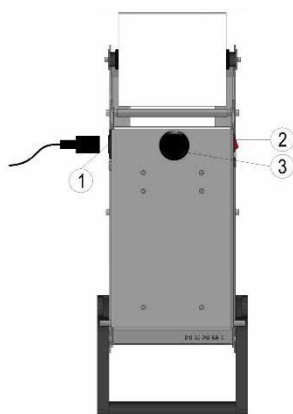
Fissaggio del rotolo di pellicola:

- Estrarre il supporto del rullo dalla fessura 1.
- Posizionare il rotolo con pellicola 2 sul supporto per rotolo 1 sul retro dell'apparecchio.
- Far scorrere il supporto con il rullo nella fessura.
- Avvolgere manualmente l'inizio della pellicola 3 e

Accensione

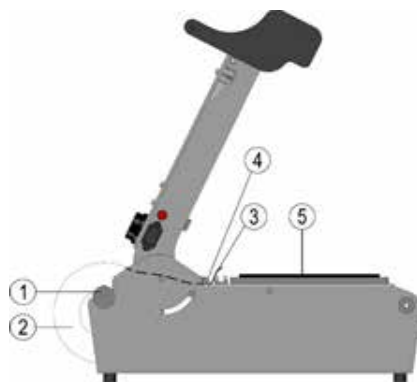
Passaggi di accensione del dispositivo:

- Verificare che dispositivo sia posizionato in un luogo stabile.
- Collegare il cavo di alimentazione alla presa 1 del dispositivo e quindi alla presa di alimentazione ~ 230V, dotata di un circuito efficiente dell'installazione di protezione (pin con messa a terra).
- Accendere dispositivo premendo l'interruttore di alimentazione 2.



metterla sotto il supporto 4.

- Posizionare la pellicola sulla superficie del telaio 5.



L'accensione del dispositivo è indicata dalla retroilluminazione dell'interruttore.

IMPORTANTE:

Prima dell'uso, è necessario preriscaldare. (tra 6 a 10 min).

Grazie all'utilizzo di un regolatore di temperatura programmabile, la temperatura della piastra riscaldante dopo il riscaldamento verrà mantenuta automaticamente al livello impostato, garantendo condizioni stabili per il processo di saldatura.

Il dispositivo è dotato di un sistema di taglio di pellicola di sicurezza integrato. La costruzione del sigillante protegge l'operatore da ustioni o tagli.

- Impostare la temperatura della piastra riscaldante con il termoregolatore di saldatura.



Impostazione della temperatura

La temperatura è regolata da una manopola con scala di temperatura stampata. Possibile impostazione della temperatura nell'intervallo da 50 a

210°C. Non appena la piastra riscaldante si riscalda fino alla temperatura impostata, la luce sul lato dell'alloggiamento si spegne.

Saldatura

Dopo aver letto i requisiti di sicurezza d'uso, avviare il processo di saldatura, secondo la seguente descrizione. Passi del processo di saldatura:

1. Posizionare il contenitore riempito nel telaio di apertura.
2. Tirare il foglio sopra il contenitore in modo che sia completamente coperto con la pellicola.
3. Afferrare la maniglia del coperchio e chiudere il coperchio.
4. Attendere 1-3 secondi. Lamina saldata lungo i bordi del vassoio.
5. Dopo aver terminato il processo di saldatura, aprire il coperchio ed estrarre il contenitore chiuso.

Pulizia e manutenzione

Pulizia

Dopo che dispositivo si è raffreddato, rimuovere i resti dei prodotti imballati con una spazzola morbida. Se necessario, lavare lo sporco con una spugna morbida, leggermente inumidita con acqua e detergente. Non utilizzare prodotti non destinati a

questo tipo di rivestimento antiaderente (vedere la scheda prodotto del detergente). Rimuovere eventuali impurità dal piano di cottura con una spugna morbida quando dispositivo si sia raffreddata.

Riparazione

In caso di malfunzionamento, interrompere immediatamente l'uso del dispositivo e scollegarlo dalla fonte di alimentazione. Controlla domande frequenti nel Capitolo "FAQ" e consulta le descrizioni

delle possibili soluzioni nel Capitolo "Risoluzione dei problemi". Se il problema persiste, contatta il rivenditore.

Pezzi di ricambio

Se hai bisogno di accedere ai pezzi di ricambio durante il funzionamento, contatta il tuo distributore.

FAQ - Domande frequenti

a. Posso sostituire la matrice per utilizzare un diverso tipo di contenitore?

Sì. Sostituire la matrice è facile. Rimuovere la matrice esistente e inserirne una nuova.

ATTENZIONE! Fare attenzione a non bruciarti sulla superficie della piastra riscaldante.

b. È possibile utilizzare la stessa matrice per diverse forme di contenitori?

Sì, tuttavia, questo è possibile solo se il contenitore ha uno scomparto e la lunghezza e la larghezza dei diversi contenitori sono esattamente uguali. Se ci sono divisioni in quest'area, non saranno saldate.

c. Dove posso ordinare una nuova matrice?

Contatta il tuo distributore.

d. Posso ordinare contenitori personalizzati?

Sì, ma la quantità ordinata deve essere molto grande. Il costo di creazione di una matrice e di un telaio per un contenitore atipico deve essere economicamente giustificato.

e. È possibile utilizzare contenitori di grande capacità?

Sì, contatta il tuo distributore.

Risoluzione dei problemi

Problema	Causa	Soluzione
La macchina non sigilla la pellicola sul bordo del contenitore o la guarnizione è troppo debole	Il rotolo di pellicola del coperchio non è posizionato correttamente.	Invertire il rotolo. Il foglio deve essere rivolto al contenitore.
	Il rotolo di pellicola non è abbinato al materiale da cui è realizzato il contenitore.	Cambiare il rotolo di pellicola sigillante o il contenitore.
	Temperatura troppo bassa.	Aumenta la temperatura.
	Tempo di saldatura troppo breve.	Lasciare il coperchio chiuso più a lungo.
	La matrice è invertita (con strisce di silicone rivolte verso il basso)	Invertire la matrice.
	Mancanza di strisce di silicone sulla matrice.	Riempi gli spazi vuoti e inserisci nuove strisce di silicone.
Il dispositivo non si avvia	C'è uno spazio nella linea di pressione della striscia di silicone.	Regolare la posizione della striscia.
	Il cavo di alimentazione non è collegato all'alimentatore o la macchina non è accesa.	Collegare il dispositivo all'alimentatore e accenderlo.
La pellicola sigillante non viene tagliata.	Fusibile saltato	Contattare l'assistenza.
	Il coltello è mancante o danneggiato.	Contattare l'assistenza per la sostituzione del coltello.

Specifiche tecniche

Prodotto numero	976722
Dimensioni del dispositivi	637x258x(H)247 mm
Dimensioni del rotolo di pellicola	Ø160 x (max) 200 mm
Dimensioni del vassoio	195x250x(H)10 mm
Efficienza	8-10 cicli / min
Massimo Energia	700 W
Tensione	AC ~230V 50Hz
Fusibile	5x20 ritardato 3,15 A
Indicatori	Spia accesa + indicatore luminoso della piastra riscaldante
Tecnologia di saldatura	Piastra riscaldante con rivestimento antiaderente con temperatura regolabile manualmente
Proprietà	<ul style="list-style-type: none">- Costruzione in acciaio inox, cambio rapido della matrice per contenitori,- sistema di controllo della temperatura sicuro e stabile,- la possibilità di utilizzare matrici adattate alle esigenze individuali dell'utente,- taglio trasversale della lamina.
Masa netto	10 kg



Garanzia

Qualsiasi difetto che influenza la funzionalità del dispositivo che compaia entro un anno dall'acquisto sarà corretto a titolo interamente gratuito o con la sostituzione del prodotto che è stato utilizzato e sottoposto a manutenzione corretta seguendo le istruzioni, senza alcuna violazione. I diritti legali del cliente non sono assolutamente modificati. Nel caso in cui l'intervento di manutenzione o sostitu-

zione sia previsto nel periodo di validità della garanzia, precisare dove e quando si è acquistato il prodotto, possibilmente allegando lo scontrino.

In linea con la nostra politica di sviluppo continuo dei prodotti, ci riserviamo il diritto di modificare il prodotto, l'imballo e le specifiche di documentazione, senza notifica alcuna.

Smaltimento e protezione dell'ambiente

In caso di ritiro dell'apparecchiatura dal funzionamento il prodotto non può essere smaltito con altri rifiuti domestici. L'utente è responsabile della consegna dell'attrezzatura al punto di raccolta appropriato per l'attrezzatura usata. Il mancato rispetto delle disposizioni sopramenzionate può comportare l'imposizione di sanzioni in conformità con le normative vigenti in materia di smaltimento dei rifiuti. La raccolta e il riciclaggio selettivi di attrezzature usate contribuiscono alla conservazione delle risorse naturali e garantiscono il riciclaggio

in modo tale da non nuocere alla salute e all'ambiente.

Per ulteriori informazioni sui luoghi di smaltimento delle apparecchiature usate per il riciclaggio, contattare la società locale di raccolta dei rifiuti. Il produttore e l'importatore non sono responsabili per il riciclaggio e il trattamento dei rifiuti in modo ecologico, sia direttamente che nel quadro del sistema pubblico.

Stimate client,

Vă mulțumim pentru achiziționarea acestui aparat HENDI. Citiți cu atenție acest manual, acordând o atenție deosebită reglementărilor de siguranță prezentate mai jos, înainte de a instala și utiliza acest aparat pentru prima dată.

Regulile de siguranță

- Acest aparat este destinat numai pentru uz comercial.
- Utilizați aparatul numai în scopul pentru care a fost proiectat conform descrierii din acest manual.
- Producătorul nu este răspunzător pentru nici o deteriorare cauzată de funcționarea incorectă și de utilizarea necorespunzătoare.
- Păstrați aparatul și ștecherul departe de apă și de alte lichide. În cazul în care aparatul cade în apă, scoateți imediat ștecherul de alimentare din priză. Nu utilizați aparatul înainte de verificarea acestuia de către un tehnician certificat. Nerespectarea acestor instrucțiuni va cauza riscuri care pun viața în pericol.
- Nu încercați niciodată să deschideți singur carcasa aparatului.
- Nu introduceți obiecte în carcasa aparatului.
- Nu atingeți ștecherul cu mâinile umede sau umede.
- ⚠ **PERICOL DE ȘOC ELECTRIC!** Nu încercați să reparați singur aparatul, reparațiile trebuie efectuate numai de personal calificat.
- **Nu folosiți niciodată un aparat deteriorat!** Când este deteriorat, deconectați aparatul de la priză și contactați distribuitorul.
- **AVERTISMENT!** Nu scufundați părțile electrice ale aparatului în apă sau alte lichide.
- Nu țineți niciodată aparatul sub jet de apă.
- Verificați cu regularitate ștecherul și cablul de alimentare pentru orice deteriorare. În cazul deteriorării, acesta trebuie înlocuit de un agent de service sau de o persoană calificată în mod similar, pentru a evita pericolul sau rănirea.
- Asigurați-vă că cablul nu intră în contact cu obiecte ascuțite sau fierbinți și păstrați-l departe de focul deschis. Nu trageți niciodată cablul de alimentare pentru a-l deconecta de la priză, trageți întotdeauna ștecherul în schimb.
- Asigurați-vă că cablul de alimentare și/sau cablul prelungitor nu provoacă pericol de deplasare.
- Nu lăsați niciodată aparatul nesupravegheat în timpul utilizării.
- **AVERTISMENT!** Atâta timp cât ștecherul este în priză, aparatul este conectat la sursa de alimentare.
- Opriți aparatul înainte de a-l deconecta de la priză.
- Conectați ștecherul la o priză electrică ușor accesibilă, astfel încât, în caz de urgență, aparatul să poată fi deconectat imediat.
- Nu purtați niciodată aparatul de cablu.
- Nu utilizați dispozitive suplimentare care nu sunt furnizate împreună cu aparatul.
- Conectați aparatul numai la o priză electrică cu tensiunea și frecvența menționate pe



RO



eticheta aparatului.

- Nu folosiți niciodată alte accesorii decât cele recomandate de producător. Nerespectarea acestui lucru ar putea reprezenta un risc de siguranță pentru utilizator și ar putea deteriora aparatul. Utilizați numai piese originale și accesorii.
- Acest aparat nu trebuie operat de persoane cu capacități fizice, senzoriale sau mentale reduse sau de persoane care au o lipsă de experiență și cunoștințe.
- Acest aparat nu ar trebui, în nici un caz, să fie utilizat de copii.
- Nu lăsați aparatul și cablul de alimentare la îndemâna copiilor.
- **AVERTISMENT:** Opriti întotdeauna aparatul și deconectați de la priză înainte de curățare, întreținere sau depozitare.

Regulamente speciale de siguranță

- Aparatele de sigilare sunt destinate ambalării etanșe a produselor alimentare, vândute vărsat după greutate, etc., pe tăvi din polipropilenă (PP) sau din materiale ecologice.
- Utilizați aparatul doar în conformitate cu indicațiile din acest manual.
-  **PERICOL DE ARSURI! NU ATINGEȚI NICIODATĂ PLACA DE ETANȘARE!** Acesta este foarte fierbinte chiar și după utilizare. Există pericol de arsuri. Așteptați până când aparatul sa răcit. Nu atingeți aparatul cât timp acesta este în funcțiune.
- Aparatul trebuie curățat, iar reziduurile de alimente trebuie îndepărtate regulat. Dacă aparatul nu este menținut în stare de curățenie, aceasta va conduce la efecte negative asupra duratei de viață a acestuia și poate genera condiții periculoase pe parcursul funcționării.
- Nu amplasați aparatul pe un obiect de încălzire (aparat de gătit cu benzină, electric, cărbune etc.) Mențineți aparatul la distanță de orice suprafețe fierbinți și de flăcări deschise. Utilizați întotdeauna aparatul pe o suprafață orizontală, stabilă, curată, termorezistentă și uscată.
- Nu folosiți aparatul pentru a ambala articole inflamabile.
-  **PERICOL DE STRIVIRE A MÂINILOR!** Când închideți, nu puneți mâinile sub capacul aparatului.

Utilizare preconizată

- Acesta este un aparat de uz profesional.
- Urządzenie jest przeznaczone do hermetycznego pakowania na tackach polipropylenowych (PP), bądź wykonanych z materiałów ekologicznych, artykułów spożywczych przeznaczonych do bezpośredniego spożycia, sprzedawanych luzem na wagę, itp. Użycie urządzenia w jakimkolwiek

innym celu może prowadzić do jego uszkodzenia lub do obrażeń ciała.

- Wykorzystanie urządzenia w jakimkolwiek innym celu uznane będzie za wykorzystanie niezgodne z przeznaczeniem. Użytkownik będzie wyłącznie odpowiedzialny za nieprawidłowe wykorzystanie urządzenia.

Instalare împământare

Acest aparat este clasificat ca **clasa de protecție I** și trebuie conectat la un sol de protecție. Împământarea reduce riscul de șoc electric prin furnizarea unui cablu de evacuare pentru curentul

electric. Acest aparat este echipat cu un cablu de alimentare care are un fir de împământare și ștecher cu împământare. Ștecherul trebuie conectat la o priză instalată și împământată corespunzător.

Informatii generale

Aparatele de sigilare sunt adaptate la dimensiunile ambalajelor folosite cu dimensiuni maxime de 227x178mm și ambalajelor rotunde cu diametru maxim de 170mm, și pentru modele cu tăiere transversală de folie.

Metoda de ambalare în tăvi de polipropilenă (PP) sau materiale ecologice permite ambalarea rapidă și în siguranță a produselor precum:

- carne,
- produse din pește,
- delicatese,
- feluri gata pregătite și semipreparate,
- salte de legume,
- fructe de mare,
- murături, măslina, etc.

Aparatul este utilizat la scară largă în structuri comerciale, gastronomice și de catering.

Metoda de sigilare poate fi aplicată și pentru am-

balarea elementelor industriale mici, precum șuruburi, cuie, piulițe, șaibe, piese mici metalice și din plastic, piese și componente electronice, piese de schimb și multe alte tipuri de articole.

Ambalajul final, în forma unui recipient sigilat, este caracterizat printr-un aspect atractiv, estetic, vizibilitate bună a produsului ambalat. Închiderea durabilă și strânsă a ambalajului protejează împotriva deschiderii în timpul transportului, asigurând protecție optimă a produsului ambalat împotriva scurgerilor, împrăștierii sau ieșirii din ambalaj și deteriorării.

Materialele de ambalare permit ambalajului să intre în contact cu grăsimile comestibile, iar în cazul ambalajelor cu rezistență ridicată la temperatură, este posibilă încălzirea conținutului într-un cuptor cu microunde fără a le scoate din ambalaj. Flexibilitatea ridicată a acestor materiale asigură rezistența ambalajului la crăpare la o plajă largă de temperaturi.

Mediul de lucru

Nie należy instalować urządzenia:

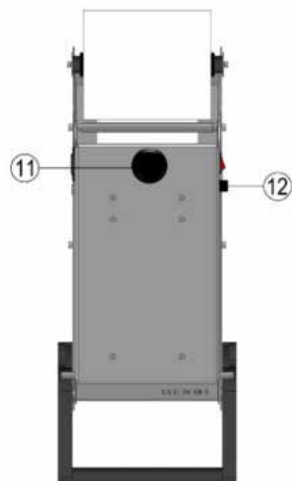
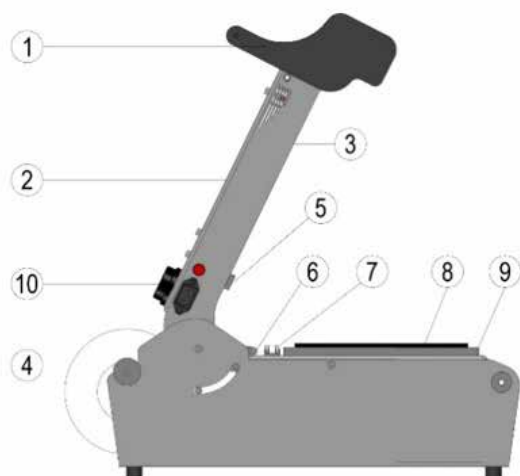
- pe o suprafață care nu permite stabilitate dispozitivului;
- lângă echipamente rotative, care vibrează;
- în locuri prăfuite;
- în locuri cu o atmosferă cu vapori inflamabili și agresivi chimici.

Aparatele de sigilat tăvi sunt destinate utilizării în spații comerciale și respectă cerințele clasei A pentru emisii cu interferențe electromagnetice conform EN 61000-6-3:2001.

Produsele clasa A folosite în medii rezidențiale pot cauza interferențe electromagnetice. În acest caz, utilizatorul trebuie să asigure protecție suplimentară împotriva interferențelor.



Vedere generală

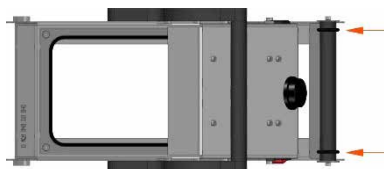


- 1. Mânerul capacului, sistem de presiune** – asigură deschiderea și închiderea convenabilă a dispozitivului și aplicarea presiunii corecte pentru sigilarea tăvii. Sistemul nu necesită aplicarea de mai multă forță decât necesar.
- 2. Capacul** – protejează placa de încălzire.
- 3. Placa de încălzire.**
- 4. Rola cu folie** – folia nu este inclusă cu aparatul.
- 5. Cuțit de tăiat folia** – asigură tăierea foliei în siguranță după ce capacul este complet închis.
- 6. Suport folie** – asigură susținerea marginii foliei după tăiere.
- 7. Cutter** – asigură faptul că folia este susținută și tăiată în siguranță după ce capacul este complet închis.
- 8. Garnitura de silikon a recipientului** – apăsă pe marginea recipientului până la folie în punctul de sigilare.
- 9. Matricea pentru recipient** – asigură susținerea tăviței (vederea de sus a matricei este adaptată formei recipientului).
- 10. Butonul de pornire** – vă permite să porniți / opriți aparatul prin apăsarea acestuia (statutul de pornit este indicat de becul butonului).
- 11. Controler temperatură** – vă permite să ajustați temperatura potrivit tipului de folie și recipient. Păstrează temperatura plăcii de încălzire constantă, așa cum a fost setată.
- 12. Siguranță.**

Utilizare

Măsurile preliminare

Spațierea bucșei (marcajul roșu) trebuie ajustată la lățimea rolei de folie, asigurând poziția corectă a foliei în raport cu recipientul.



Aplicarea foliei

NOTĂ: Când aplicați folia, asigurați-vă că partea care se lipește este cu fața în jos.

IMPORTANT:

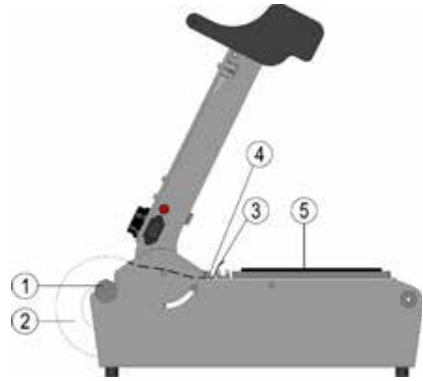
- Nu puneți folia astfel încât să fie cu fața destinată sigilării spre placa de căldură! Folia s-ar putea să se lipească de placa de căldură și suprafața să fie contaminată!
- Folosiți doar role în care folia este înfășurată cu un strat sigilabil în interior.

Atașarea rolei de folie:

- Scoateți suportul pentru rolă din slot (1).
- Așezați rola cu folie (2) pe suportul pentru rolă (1) din partea din spate a aparatului.
- Glisați suportul cu rola înapoi în slot.
- Derulați manual începutul foliei (3) și puneți-l

sub suportul pentru folie (4).

- Așezați folia pe suprafața cadrului (5).



Pornirea

Pașii pentru pornirea aparatului de sigilat:

- verificați ca aparatul să fie așezat într-un loc stabil
- conectați cablul de alimentare la mufa (1) de pe aparat și apoi la priza de rețea ~ 230V, echipată cu un circuit eficient de protecție (împământare)
- porniți aparatul apăsând butonul de pornire (2).

Pornirea aparatului este indicată de lumina de pe întrerupător.

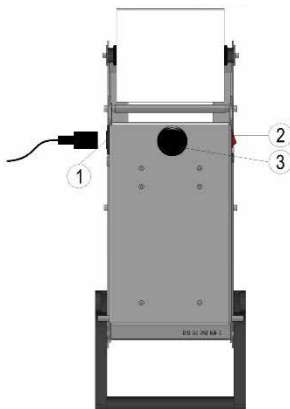
IMPORTANT:

Înainte de utilizare este necesară preîncălzire (6-10 minute).

Datorită utilizării unui regulator programabil de temperatură, temperatura plăcii de căldură după încălzire va fi automat menținută la nivelul setat, ceea ce va asigura condiții stabile pentru procesul de sigilare.

Aparatul de sigilat este echipat cu un sistem integrat de tăiere în siguranță a foliei. Construcția aparatului de sigilat protejează operatorul împotriva arsurilor sau tăieturilor.

- Setăți temperatura plăcii de căldură cu controalele de temperatură de sigilare.



Reglarea temperaturii

Temperatura este ajustată cu ajutorul unui comutator cu scală de temperatură imprimată. Setările posibile de temperatură sunt între 50 și 210°C.

Când placa de căldură ajunge la temperatura setată, lumina din lateralul carcasei se oprește.



Procesul de sigilarea

Dacă sunteți familiarizat cu cerințele de siguranță pentru utilizare, începeți procesul de sigilare potrivit următoarei descrieri. Pașii procesului de sigilare:

1. Așezați recipientul plin în cadru.
2. Trageți folia peste recipient astfel încât acesta să fie complet acoperit cu folie.
3. Apucați mânerul capacului și închideți capacul.
4. Așteptați 1-3 secunde. Folia este sigilată de-a lungul marginilor tăviței.
5. După încheierea procesului de sigilare – deschideți capacul și scoateți recipientul închis.

Curățare și Întreținere

Curățare

După ce aparatul s-a răcit, îndepărtați resturile produselor ambalate cu o perie moale.

Dacă este necesar, ștergeți mizeria cu un burete moale, ușor umezit cu apă și detergent. Nu folo-

șiți produse care nu sunt destinate pentru acest tip de strat neaderent (consultați fișa produsului de curățare). Îndepărtați orice impurități cu un burete moale atunci când aparatul este rece.

Reparare

În caz de defecțiuni, opriți imediat utilizarea aparatului și deconectați-l de la sursa de alimentare. Verificați răspunsurile la întrebările puse frecvent

în Secțiunea „FAQ” și consultați descrierile posibilelor soluții în Secțiunea „Depanare”. Dacă problema persistă, contactați distribuitorul.

Piese de schimb

Dacă aveți nevoie de acces la piese de schimb în timpul folosirii, contactați distribuitorul.

RO

FAQ - Întrebări frecvente

a. Pot să înlocuiesc matricea și să folosesc alt tip de recipient?

DA. Înlocuirea matricei este simplă. Îndepărtați matricea existentă și introduceți una nouă.

ATENȚIE! Atenție să nu vă ardeți pe suprafața fierbinte a plăcii de căldură.

b. Pot să folosesc aceeași matrice pentru diferite forme de recipiente?

DA, dar acest lucru este posibil doar dacă recipientul are un compartiment, iar lungimea și lățimea diverselor recipiente sunt exact aceleași. Dacă sunt diviziuni în această zonă, acestea nu vor fi lipite.

c. Unde pot să comand o nouă matrice?

Contactați distribuitorul.

d. Pot să comand recipiente personalizate?

DA, dar cantitatea comandată trebuie să fie foarte mare. Costul pentru a face o matrice și un cadru pentru un recipient atipic trebuie să se justifice din punct de vedere economic.

e. Este posibilă utilizarea de recipiente de capacitate mai mare?

DA, vă rugăm să contactați distribuitorul.



Depanare

Problema	Motivul	Soluția
Aparatul nu sigilează folia pe marginea recipientului sau sigilarea este prea slabă.	Rola de folie nu este poziționată corect.	Inversați rola. Folia trebuie să fie cu fața spre recipient.
	Rola de folie nu este potrivită cu materialul din care este făcut recipientul.	Schimbați rola de folie de sigilare sau recipientul.
	Temperatură prea scăzută.	Măriți temperatura.
	Timp prea scăzut de sigilare.	Lăsați capacul închis mai mult timp.
	Matricea este inversată (cu benzile de silicon în jos)	Inversați matricea.
	Lipsesc benzile de silicon de pe matrice.	Umpleți locurile goale și introduceți noi benzi de silicon.
Aparatul nu pornește.	Există un gol în linia de presiune a benzii de silicon.	Reglați poziția benzii.
	Cablul de alimentare nu este conectat la alimentare sau aparatul nu este pornit.	Conectați aparatul la alimentare și porniți-l.
Folia de sigilare nu este tăiată.	Siguranță sărită.	Contactați service-ul.
	Cuțitul lipsește sau este deteriorat.	Contactați service-ul pentru înlocuirea cuțitului.

Date tehnice

COD	976722
Dimensiuni	637x258x(H)247 mm
Dimensiuni (rolă)	Ø160 x (max) 200 mm
Dimensiuni (tăviță)	195x250x(H)10 mm
Eficiență	8-10 cicluri/min
Putere max.	700 W
Tensiune	AC ~230V 50Hz
Siguranță	5x20 întârziată 3,15 A
Indicatori	Becul de pornire + becul indicator pentru placa de căldură.
Tehnologia de sigilare	Placa de căldură cu un strat anti-aderent și temperatură reglabilă manual.
Proprietăți	<ul style="list-style-type: none">- construcție din inox, schimbare rapidă a matricei pentru recipiente,- sistem de control temperatură sigur și stabil,- posibilitate de folosire matrice adaptate la nevoile individuale ale utilizatorului,- tăiere transversală a foliei.
Masa neto	10 kg

RO



Garanție

Orice defecțiune care afectează funcționarea aparatului apărută la mai puțin de un an de la cumpărarea acestuia va fi remediată prin reparație sau înlocuire gratuită, cu condiția ca aparatul să fi fost folosit și întreținut conform instrucțiunilor nu să nu fi fost bruscat sau folosit necorespunzător în vreun fel. Drepturile dumneavoastră legale nu sunt afec-

tate. Dacă aparatul este în garanție, menționați când și de unde a fost cumpărat și includeți dovada cumpărării (de ex. chitanța).

Conform politicii noastre de dezvoltare continuă a produsului, ne rezervăm dreptul de a modifica produsul, ambalajul și documentația fără notificare.


Eliminarea și mediul înconjurător

La dezafectarea aparatului, produsul nu trebuie aruncat împreună cu alte deșeuri menajere. În schimb, este responsabilitatea dumneavoastră să eliminați echipamentul uzat prin predarea acestuia la un punct de colectare desemnat. Nerespectarea acestei reguli poate fi penalizată în conformitate cu reglementările aplicabile privind eliminarea deșeurilor. Colectarea separată și reciclarea echipamentului dumneavoastră uzat la momentul debarasării contribuie la conservarea resurselor naturale și

asigură realizarea reciclării într-un mod care protejează sănătatea ființelor umane și a mediului. Pentru informații suplimentare privind modul în care puteți preda deșeurile dumneavoastră în scopul reciclării, vă rugăm să contactați compania locală de colectare a deșeurilor. Producătorii și importatorii nu își asumă responsabilitatea cu privire la reciclarea, tratarea și eliminarea ecologică a deșeurilor, fie direct, fie prin intermediul unui sistem public.

Благодарим Вас за покупку этого устройства HENDI. Внимательно прочитайте это руководство, обращая особое внимание на правила безопасности, изложенные ниже, перед установкой и использованием этого устройства в первый раз.

Правила безопасности



- Это оборудование предназначено только для коммерческого использования.
- Используйте прибор только по назначению, для которого он был разработан, как описано в данном руководстве.
- Изготовитель не несет ответственности за любой ущерб, вызванный неправильной работой и неправильным использованием.
- Держите прибор и электрическую вилку подальше от воды и других жидкостей. В случае, если прибор попадает в воду, немедленно снимите вилку питания с розетки. Не используйте устройство до тех пор, пока оно не будет проверено сертифицированным техническим специалистом. Несоблюдение этих инструкций приведет к угрожающей жизни опасности.
- Никогда не пытайтесь открыть корпус прибора самостоятельно.
- Не вставляйте объекты в корпус прибора.
- Не прикасайтесь к вилке мокрыми или влажными руками.
-  **ОПАСНОСТЬ ПОРАЖЕНИЯ ЭЛЕКТРИЧЕСКИМ ТОКОМ!** Не пытайтесь самостоятельно отремонтировать прибор, ремонт должен проводиться только квалифицированный персонал.
- **Никогда не используйте поврежденный прибор!** Когда устройство повреждено, отсоедините устройство от розетки и обратитесь к продавцу.
- **ПРЕДУПРЕЖДЕНИЕ!** Не погружайте электрические части прибора в воду или другие жидкости.
- Никогда не удерживайте прибор под проточной водой.
- Регулярно проверяйте штекер питания и шнур на наличие повреждений. В случае повреждения его необходимо заменить сервисным агентом или лицом, имеющим аналогичную квалификацию, с тем чтобы избежать опасности или травм.
- Убедитесь, что шнур не соприкасается с острыми или горячими предметами и держите его подальше от открытого огня. Никогда не тяните шнур питания, чтобы отсоединить его от розетки, всегда тяните вилку вместо нее.
- Убедитесь, что шнур питания и/или удлинитель не вызывают опасности аварии.
- Никогда не оставляйте прибор без присмотра во время использования.
- **ПРЕДУПРЕЖДЕНИЕ!** Пока штекер находится в розетке, прибор подключается к источнику питания.
- Выключите устройство, прежде чем отсоединить его от розетки.
- Подключите вилку питания к легкодоступной электрической розетке, чтобы в случае аварийной ситуации устройство можно было немедленно отключить.
- Никогда не носите прибор за шнур.
- Не используйте дополнительные устройства, которые не поставляются вместе с



устройством.

- Подключите прибор только к электрической розетке с напряжением и частотой, указанными на этикетке устройства.
- Никогда не используйте аксессуары, кроме тех, которые рекомендованы производителем. Невыполнение этого требования может представлять опасность для безопасности пользователя и привести к повреждению устройства. Используйте только оригинальные детали и аксессуары.
- Этот прибор не должен эксплуатироваться лицами с ограниченными физическими, сенсорными или умственными возможностями, или лицами, не имеющими опыта и знаний.
- Этот прибор ни при каких обстоятельствах не должен использоваться детьми.
- Держите устройство и его шнур питания в недоступном для детей месте.
- **ПРЕДУПРЕЖДЕНИЕ:** ВСЕГДА выключите устройство и отключите розетку от розетки перед очисткой, обслуживанием или хранением.

Специальные правила безопасности

- Запайщики предназначены для герметичной упаковки на лотках из полипропилена (PP) или из экологически чистых материалов продуктов питания, предназначенных для немедленного употребления.
- Используйте прибор только так, как описано в данном руководстве.
-  **ОПАСНОСТЬ ОЖОГОВ! НЕ ПРИКАСАЙТЕСЬ К УПЛОТНИТЕЛЬНОЙ ПЛАСТИНЕ!** После использования планка будет очень горячая. Существует риск ожогов. Подождите, пока устройство не остынет. Не прикасайтесь к устройству во время работы.
- Регулярно очищайте устройство и удаляйте остатки пищи. Если устройство не находится в чистом состоянии, это будет отрицательно сказываться на его сроке службы и может привести к опасным условиям во время использования.
- Не устанавливайте устройство на источниках тепла (газовых, электрических плитах, гриле и т.п.). Держите устройство подальше от любых горячих поверхностей или открытого огня. Устанавливайте устройство на ровную, стабильную, чистую и сухую поверхность, стойкую к высоким температурам.
- Не используйте устройство для упаковки легковоспламеняющихся предметов.
-  **ОПАСНОСТЬ ЗАЩЕМЛЕНИЯ РУКИ!** Не кладите руку под крышку устройства, когда её закрываете.

Предполагаемое использование

- Устройство предназначено для профессионального использования.
- Запайщики предназначены для герметичной упаковки на лотках из полипропилена (PP) или из экологически чистых материалов продуктов питания, предназначенных для немедленного употребления, продаваемых на развес и т. д. Использование устройства для любых других целей может привести к повреждению или травмам.
- Использование устройства для любых других целей будет рассматриваться, как использование не по назначению. Пользователь будет нести исключительную ответственность за неправильное использование устройства.

Установка заземления

Этот прибор относится к **классу защиты I** и должен быть подключен к защитному грунту. Заземление снижает риск поражения электрическим током, обеспечивая выход провода для электрического тока. Этот прибор оснащен шнуром пи-

тания с заземляющим проводом и заземленной штепсельной вилкой. Вилка должна быть подключена к розетке, которая правильно установлена и заземлена.

Общая информация

Запайщики адаптированы к размерам используемых упаковок с максимальными размерами 227x178мм и круглых упаковок диаметром до 170 мм, включая модели с поперечным обрезанием пленки.

Метод упаковки в лотки из полипропилена (PP) и из экологически чистых материалов позволяет быстро и безопасно упаковывать такие продукты, как:

- мясо,
- продукты из рыбы,
- кулинарные изделия,
- готовые блюда и полуфабрикаты для обеда,
- овощные салаты,
- морепродукты,
- маринованные овощи, оливки и т.д.

Устройство широко используется на предприятиях общественного питания всех типов.

Метод сварки также может использоваться для упаковки небольших промышленных предметов, таких как винты, штифты, гайки, шайбы, мелкие

металлические и пластиковые детали, электронные детали и компоненты, запасные части и многие другие типы изделий.

Готовая упаковка, полученная с помощью запайщика, в виде плотно закрытой тары из пленки, отличается привлекательным внешним видом, высокой эстетикой и хорошей видимостью упакованного продукта. Прочное и плотное закрытие упаковки защищает от открывания во время транспортировки, обеспечивая оптимальную защиту упакованного продукта от возможности проливания, рассыпания или выпадения из упаковки и повреждения.

Используемые упаковочные материалы гарантируют возможный контакт упаковки с пищевыми жирами, а в случае упаковок с повышенной термостойкостью - возможность нагревать их содержимое в микроволновой печи, не вынимая их из упаковки. Высокая гибкость используемых материалов обеспечивает устойчивость упаковки к растрескиванию в широком диапазоне температур хранения.

Производственные условия

Не устанавливайте запайщика лотков:

- На поверхности, которая не позволяет устанавливать стабильно устройство.
- Рядом с вращающимися машинами, вызывающими вибрацию.
- В пыльных помещениях.
- В помещениях с атмосферой легковоспламеняющихся и химически агрессивных паров.

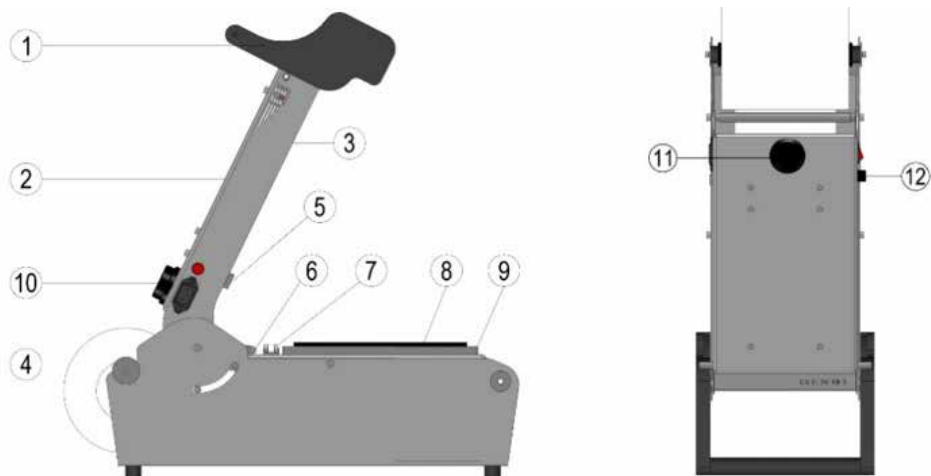
Запайщики лотков предназначены для исполь-

зования в торговых помещениях и в соответствии со стандартом EN61000-6-3:2001, они соответствуют требованиям класса А по излучению электромагнитных помех.

Изделие класса А, используемое в жилых помещениях, может вызывать электромагнитные помехи. В этом случае пользователь должен применить дополнительную защиту от помех.



Widok ogólny

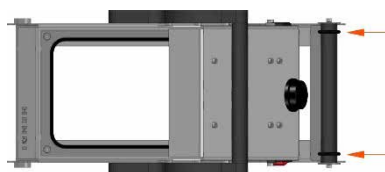


- 1. Автоподъемник, прижимная система** – Обеспечивает удобное открывание и закрытие устройства и необходимый прижим для запайки лотка. Применяемая система ограничивает использование силы мышц сварщика.
- 2. Крышка** – защищает нагревательную пластину.
- 3. Нагревательная пластина.**
- 4. Рулон с пленкой** – пленка не входит в комплект поставки запайщика лотков.
- 5. Резак для пленки** - Обеспечивает безопасную обрезку пленки после полного закрытия крышки.
- 6. Держатель пленки** - Обеспечивает удержание края пленки после обрезки.
- 7. Резак** – Гарантирует удержание и безопасную обрезку после полного закрытия крышки.
- 8. Силиконовое уплотнение контейнера** - Прижимает край контейнера к пленке в месте запайки.
- 9. Матрица контейнера** - Обеспечивает поддержку лотка с продуктом (Вид сверху на матрицу повторяет форму контейнера).
- 10. Выключатель питания (Кнопка)** - Позволяет включать / выключать устройство нажатием кнопки (о включенном состоянии сигнализирует подсветка кнопки).
- 11. Регулятор температуры** - Позволяет регулировать температуру в соответствии с типом используемой пленки и контейнеров. Поддерживает постоянную температуру нагревательной пластины, согласно сделанным настройкам.
- 12. Гнездо предохранителя.**

Использовать

Подготовка

Расстояние между втулками (красная маркировка) должно соответствовать ширине рулона плёнки, обеспечивая правильное положение пленки по отношению к контейнеру.



Наложение пленки

ВНИМАНИЕ: Во время наложения пленки, обратите внимание, чтобы сторона, предназначенная для запайки, была обращена вниз.

ВАЖНЫЙ:

- Не допускается укладывать пленку так, чтобы слой, предназначенный для запайки, был обращен в сторону нагревательной пластины! Это может привести к прилипанию пленки к нагревательной пластине и загрязнению ее поверхности!
- Следует использовать только рулоны, в которых намотка пленки наматывается со свариваемым слоем во внутрь рулона.

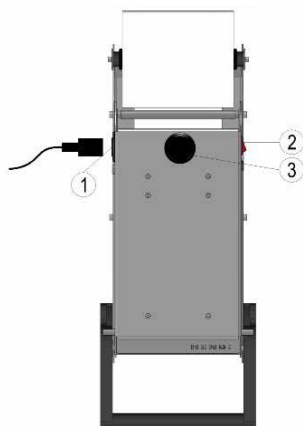
Установка рулона с пленкой:

- Выньте опору из паза 1.
- Поместите рулон с пленкой 2 на опору рулона 1

Включение устройства

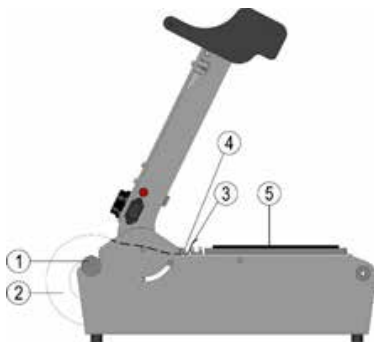
Действия, связанные с включением запайщика:

- Убедитесь, что устройство расположено на стабильном месте для использования.
- Подключите шнур питания устройства к розетке 1 на устройстве, а затем к сетевой розетке ~ 230В, снабженной исправной схемой защитной установки (заземляющим штифтом).
- Включите устройство, нажав кнопку выключателя питания 2.



на задней стороне устройства.

- Вставьте опору с роликом обратно в паз.
- Разверните рукой начало пленки 3 и поместите ее под держатель пленки 4.
- Поместите пленку на поверхность каркаса 5.



Включение питания устройства сигнализируется подсветкой кнопки переключателя.

ВАЖНЫЙ:

Перед началом работы запайщик требует предварительного нагрева, который длится от 6 до 10 минут.

Благодаря программируемому контроллеру температуры, температура нагревательной пластины после нагрева будет автоматически поддерживаться на заданном уровне, что обеспечит стабильные условия для процесса запайки.

Запайщик оснащен встроенной системой безопасной резки пленки. Конструкция запайщика защищает оператора от ожогов и порезов.

- Установите температуру нагревательной пластины с помощью регулятора температуры сварки.



Регулировка температуры

Температура регулируется ручкой с нанесенной шкалой температуры. Возможна установка температуры в диапазоне от 50 до 210°C. Как только

нагревательная пластина нагреется до заданной температуры, лампочка сбоку на корпусе погаснет.

Процесс запайки

Прочитав рекомендации по безопасности, начните процесс запайки, как описано ниже.

Ход процесса запайки:

1. Поместите заполненный контейнер в проем каркаса.
2. Натяните пленку на контейнер, пока он полностью не покроется пленкой.

3. Возьмитесь за ручку крышки и закройте крышку.
4. Подождите 1–3 секунды, пока не произойдет запайка пленки по краю лотка.
5. По окончании процесса запайки - откройте крышку и выньте закрытый контейнер.

Очистка и техническое обслуживание

Очистка

После того, как устройство остынет, удалите остатки упакованных продуктов мягкой щеткой. В случае необходимости смойте загрязнения мягкой губкой, слегка смоченной водой с моющим средством. Для плиты с антипригарным

покрытием не используйте продукты, не предназначенные для этого типа покрытия (см. описание чистящего средства). Когда машина остынет, удалите загрязнения с нагревательной плиты мягкой губкой.

Ремонт

В случае неисправности немедленно прекратите использование устройства и отключите его от источника питания.

Проверьте ответы на часто задаваемые вопро-

сы в главе «FAQ» и просмотрите описания возможных решений в главе «Поиск и устранение неисправностей». Если проблема не исчезнет, обратитесь к своему дистрибьютору.

Запчасти

Если во время эксплуатации вам нужен будет доступ к запасным частям, обратитесь к вашему дистрибьютору.

FAQ - Часто задаваемые вопросы

а. Могу ли я заменить матрицы, чтобы использовать другой тип контейнера?

Да. Заменить матрицу несложно. Выньте использованную матрицу и вставьте новую.

в. Где можно заказать новые матрицы?

По вопросам заказа новых матриц обращайтесь к своему дистрибьютору.

ВНИМАНИЕ! Не обожгитесь о поверхность разогретой плиты.

б. Могу ли я использовать одну и ту же матрицу для контейнеров разной формы?

Да, но это возможно только в том случае, если контейнер имеет одно отделение и разные контейнеры имеют одинаковую длину и ширину. Если на этой поверхности будут перегородки, они не будут свариваться.

г. Могу ли я заказать нестандартные формы контейнеров?

Да, только заказываемое количество должно быть очень большим.

Затраты на изготовление матрицы и каркаса для нестандартной тары должны быть экономически оправданы.

д. Можно ли использовать контейнеры большей вместимости?

Да, обратитесь к своему дистрибьютору.

Поиск и устранение неисправностей

Проблема	Причина	Решение
Машина не приваривает пленку к краю контейнера или запайка слишком слабая.	Рулон с упаковочной пленкой установлен неправильно.	Переверните рулон с упаковочной пленкой так, чтобы слой термосварки пленки был обращен в сторону контейнера.
	Рулон упаковочной пленки не помещается в материал, из которого изготовлен контейнер.	Замените рулон с упаковочной пленкой или контейнер.
	Температура слишком низкая.	Увеличьте температуру.
	Время сварки слишком короткое.	Оставьте крышку в закрытом положении на более длительное время.
	Матрица перевернутая (силиконовыми полосками вниз).	Переверните матрицу.
Устройство не запускается.	На матрице нет силиконовой полоски.	Заполните пробелы и вставьте новые силиконовые полоски.
	Существует разрыв в линии прижима силиконовой ленты.	Отрегулируйте положение ленты.
	Шнур питания не подключен или устройство не включено.	Подключите устройство к источнику питания и включите его.
Упаковочная пленка не обрезана.	Перегорел предохранитель.	Обратитесь в сервис.
	Нож отсутствует или поврежден.	Обратитесь в сервис по замене ножа.

RU

Технические данные

КОД	976722
Размер устройства	637x258x(B)247 мм
Размер рулона пленки	Ø160 x (макс.) 200 мм
Размер лотка	195x250x(B)10 мм
Производительность	8-10 циклов/мин
Макс. мощность	700 Вт
Питание	АС ~230В 50Гц
Предохранитель	5x20 медленный 3,15 А
Указатели	Индикатор включения + индикатор нагрева нагревательной пластины.
Технология запайки	Нагревательная пластина с антипригарным покрытием с ручной регулировкой температуры .
Характеристики	<ul style="list-style-type: none">- Конструкция из нержавеющей стали, быстрая замена матриц на контейнеры,- безопасная и стабильная система контроля температуры,- возможность использования матриц, адаптированных к индивидуальным потребностям пользователя,- поперечная обрезка пленки
Вес нетто	10 кг



Гарантия

Любая неподелка или поломка, которая влечет за собой неправильную работу устройства, которая будет выявлена в течение первого года от даты покупки, будет устранена бесплатно, или же все устройство будет заменено новым, если оно эксплуатировалось и обслуживалось согласно инструкции по обслуживанию и не использовалось неправильно, или в разрез с назначением. Данное положение ни в коей мере не нарушает иных прав потребителя, изложенных в законо-

дательстве. В случае заявления устройства в ремонт или на замену в рамках гарантии, следует указать место и дату покупки устройства и приложить счет, или чековую квитанцию.

Согласно нашей политике совершенствования наших продуктов оставляем за собой право на ввод изменений в конструкцию, упаковку и в технические параметры, указываемые в технической документации без предупреждения.

Утилизация и защита окружающей среды

В случае вывода оборудования из эксплуатации, продукт нельзя утилизировать вместе с другими бытовыми отходами. Пользователь несет ответственность за передачу оборудования в соответствующий пункт приема техники бывшей в употреблении. Несоблюдение вышеуказанного положения может привести к наложению штрафов в соответствии с действующими правилами в отношении утилизации отходов. Селективный сбор и утилизация использованного оборудования способствуют сохранению природных ресурсов и обеспечивают рециркуляцию таким

образом, который не вреден для здоровья и окружающей среды.

Для получения дополнительной информации о том, где можно отдать использованное оборудование для утилизации, обратитесь в местную компанию по сбору отходов. Производитель и импортер не несут ответственности за рециркуляцию и переработку отходов экологически безопасным способом, как непосредственно, так и в рамках государственной системы.

Αγαπητέ πελάτη,

Σας ευχαριστούμε για την αγορά αυτής της συσκευής **Hendí**. Διαβάστε προσεκτικά αυτό το εγχειρίδιο, δίνοντας ιδιαίτερη προσοχή στους κανονισμούς ασφαλείας που περιγράφονται παρακάτω, πριν εγκαταστήσετε και χρησιμοποιήσετε αυτή τη συσκευή για πρώτη φορά.

Κανονισμοί ασφαλείας



- Η συσκευή προορίζεται μόνο για επαγγελματική χρήση.
- Χρησιμοποιείτε μόνο τη συσκευή για τον επιδιωκόμενο σκοπό για τον οποίο σχεδιάστηκε όπως περιγράφεται στο παρόν εγχειρίδιο.
- Ο κατασκευαστής δεν ευθύνεται για τυχόν ζημιές που προκαλούνται από λανθασμένη λειτουργία και ακατάλληλη χρήση.
- Κρατήστε τη συσκευή και το ηλεκτρικό βύσμα μακριά από νερό και άλλα υγρά. Σε περίπτωση που η συσκευή πέσει στο νερό, αφαιρέστε αμέσως το βύσμα τροφοδοσίας από την πρίζα. Μην χρησιμοποιείτε τη συσκευή μέχρι να ελεγχθεί από πιστοποιημένο τεχνικό. Η μη τήρηση αυτών των οδηγιών θα προκαλέσει απειλητικούς κινδύνους για τη ζωή.
- Ποτέ μην επιχειρήσετε να ανοίξετε μόνοι σας το περίβλημα της συσκευής.
- Μην εισάγετε αντικείμενα στο περίβλημα της συσκευής.
- Μην αγγίζετε το βύσμα με βρεγμένα ή υγρά χέρια.
- ⚡ **ΚΙΝΔΥΝΟΣ ΗΛΕΚΤΡΟΠΛΗΞΙΑΣ!** Μην επιχειρήσετε να επισκευάσετε τη συσκευή μόνοι σας, οι επισκευές πρέπει να πραγματοποιούνται μόνο από εξειδικευμένο προσωπικό.
- **Ποτέ μην χρησιμοποιείτε μια κατεστραμμένη συσκευή!** Όταν είναι κατεστραμμένο, αποσυνδέστε τη συσκευή από την πρίζα και επικοινωνήστε με το κατάστημα λιανικής πώλησης.
- **ΠΡΟΕΙΔΟΠΟΙΗΣΗ!** Μην βυθίζετε τα ηλεκτρικά μέρη της συσκευής σε νερό ή άλλα υγρά.
- Ποτέ μην κρατάτε τη συσκευή κάτω από τρεχούμενο νερό.
- Ελέγχετε τακτικά το βύσμα τροφοδοσίας και το καλώδιο για τυχόν ζημιές. Σε περίπτωση βλάβης, πρέπει να αντικατασταθεί από αντιπρόσωπο εξυπηρέτησης ή με παρόμοια προσόντα, ώστε να αποφεύγεται ο κίνδυνος ή ο τραυματισμός.
- Βεβαιωθείτε ότι το καλώδιο δεν έρχεται σε επαφή με αιχμηρά ή ζεστά αντικείμενα και κρατήστε το μακριά από ανοιχτή φωτιά. Μην τραβάτε ποτέ το καλώδιο τροφοδοσίας για να το αποσυνδέσετε από την πρίζα, πάντα τραβάτε το βύσμα.
- Βεβαιωθείτε ότι το καλώδιο τροφοδοσίας ή/και το καλώδιο προέκτασης δεν προκαλούν κίνδυνο διαφυγής.
- Μην αφήνετε ποτέ τη συσκευή αφύλακτη κατά τη χρήση.
- **ΠΡΟΕΙΔΟΠΟΙΗΣΗ!** Όσο το βύσμα βρίσκεται στην πρίζα, η συσκευή είναι συνδεδεμένη με την πηγή τροφοδοσίας.
- Απενεργοποιήστε τη συσκευή πριν την αποσυνδέσετε από την πρίζα.
- Συνδέστε το βύσμα ρεύματος σε μια εύκολα προσβάσιμη πρίζα, ώστε σε περίπτωση ανάγκης να αποσυνδεθεί αμέσως η συσκευή.
- Ποτέ μην μεταφέρετε τη συσκευή από το καλώδιο.
- Μην χρησιμοποιείτε επιπλέον συσκευές που δεν παρέχονται μαζί με τη συσκευή.

GR



- Συνδέστε τη συσκευή μόνο σε πρίζα με την τάση και τη συχνότητα που αναφέρονται στην ετικέτα της συσκευής.
- Ποτέ μην χρησιμοποιείτε εξαρτήματα εκτός από αυτά που συνιστώνται από τον κατασκευαστή. Εάν δεν γίνει κάτι τέτοιο, θα μπορούσε να αποτελέσει κίνδυνο για την ασφάλεια του χρήστη και θα μπορούσε να προκαλέσει βλάβη στη συσκευή. Χρησιμοποιείτε μόνο αυθεντικά εξαρτήματα και αξεσουάρ.
- Η συσκευή αυτή δεν πρέπει να λειτουργεί από άτομα με μειωμένες σωματικές, αισθητηριακές ή διανοητικές ικανότητες ή άτομα με έλλειψη εμπειρίας και γνώσης.
- Αυτή η συσκευή δεν πρέπει, σε καμία περίπτωση, να χρησιμοποιείται από παιδιά.
- Κρατήστε τη συσκευή και το καλώδιο τροφοδοσίας μακριά από παιδιά.
- **ΠΡΟΕΙΔΟΠΟΙΗΣΗ:** Πάντα απενεργοποιείτε τη συσκευή και αποσυνδέετε την πρίζα πριν από τον καθαρισμό, τη συντήρηση ή την αποθήκευση.

Ειδικοί Κανονισμοί Ασφαλείας

- Οι μηχανές συγκόλλησης έχουν σχεδιαστεί για αεροστεγή συσκευασία τροφίμων που προορίζονται για άμεση κατανάλωση, σε δίσκους από πολυπροπυλένιο (PP) ή από οικολογικά υλικά.
- Χρησιμοποιείτε τη συσκευή μόνο όπως περιγράφεται στο παρόν εγχειρίδιο.
-  **ΚΙΝΔΥΝΟΣ ΕΓΚΑΥΜΑΤΟΣ! ΜΗΝ ΑΓΓΙΖΕΤΕ ΠΟΤΕ ΤΗ ΠΛΑΚΑ ΣΤΕΓΑΝΟΠΟΙΗΣΗ!** Η εστία είναι πολύ θερμή ακόμη και μετά τη χρήση. Υπάρχει κίνδυνος εγκαύματος. Περιμένετε έως ότου κρυώσει η συσκευή. Μην αγγίζετε τη συσκευή ενώ βρίσκεται σε λειτουργία.
- Η συσκευή πρέπει να καθαρίζεται και τα υπολείμματα τροφίμων να απομακρύνονται τακτικά. Εάν η συσκευή δεν διατηρείται καθαρή, θα έχει αρνητικές επιπτώσεις στη διάρκεια ζωής της και μπορεί να προκαλέσει επικίνδυνες συνθήκες κατά τη χρήση.
- Μην τοποθετείτε τη συσκευή επάνω σε αντικείμενο θέρμανσης (βενζίνης, ηλεκτρικό, φούρνο με κάρβουνα κ.λπ.). Διατηρείτε τη συσκευή μακριά από θερμές επιφάνειες και ανοικτές φλόγες. Χρησιμοποιείτε πάντα τη συσκευή σε επίπεδη, σταθερή, καθαρή, στεγνή και ανθεκτική στη θερμότητα επιφάνεια.
- Μην χρησιμοποιείτε τη συσκευή για τη συσκευασία εύφλεκτων αντικειμένων.
-  **ΚΙΝΔΥΝΟΣ ΣΥΝΘΛΙΨΗΣ ΧΕΡΙΩΝ!** Όταν την κλείνετε, μην βάζετε τα χέρια σας κάτω από το κάλυμμα της συσκευής.

Προβλεπόμενη χρήση

- Η συσκευή προορίζεται για επαγγελματική χρήση.
- Οι μηχανές συγκόλλησης έχουν σχεδιαστεί για αεροστεγή συσκευασία τροφίμων που προορίζονται για άμεση κατανάλωση, πωλούνται κατά βάρος κ.λπ., σε δίσκους από πολυπροπυλένιο (PP) ή από οικολογικά υλικά. Οποιαδήποτε άλλη χρήση μπορεί να προκαλέσει ζημιά στη συσκευή ή τραυματισμό.
- Η χρήση της συσκευής για οποιονδήποτε άλλο σκοπό θεωρείται εσφαλμένη. Ο χρήστης είναι απο-κλειστικά υπεύθυνος για την μη κατάλληλη χρήση της συσκευής.

Εγκατάσταση γείωσης

Η συσκευή αυτή ταξινομείται ως **κατηγορία προστασίας Ι** και πρέπει να συνδέεται με προστατευτικό έδαφος. Η γείωση μειώνει τον κίνδυνο ηλεκτροπληξίας παρέχοντας ένα καλώδιο διαφυγής για το ηλεκτρικό ρεύμα. Αυτή η συσκευή είναι εφοδιασμένη με

καλώδιο τροφοδοσίας που διαθέτει καλώδιο γείωσης και γειωμένο βύσμα. Το βύσμα πρέπει να συνδεθεί σε μια πρίζα που είναι σωστά εγκατεστημένη και γειωμένη.

Γενικές πληροφορίες

Οι μηχανές συγκόλλησης προσαρμόζονται στις διαστάσεις της χρησιμοποιημένης συσκευασίας με μέγιστες διαστάσεις 227x178mm και στρογγυλή συσκευασία με μέγιστη διάμετρο 170mm. Επίσης για μοντέλα με εγκάρσια κοπή φύλλου.

Η μέθοδος συσκευασίας σε δίσκους από πολυπροπυλένιο (PP) ή από οικολογικά υλικά επιτρέπει γρήγορη και ασφαλή συσκευασία προϊόντων όπως:

- κρέας,
- προϊόντα ψαριών,
- λιχουδιές,
- έτοιμα γεύματα και ημιτελή γεύματα,
- σαλάτες λαχανικών,
- θαλασσινά,
- τουρσί λαχανικά, ελιές κ.λπ.

Η συσκευή χρησιμοποιείται ευρέως σε εμπορικά, υπηρεσίες catering και εστιατόρια.

Η μέθοδος συγκόλλησης μπορεί επίσης να χρησιμοποιηθεί για τη συσκευασία μικρών βιομηχανικών

ειδών, όπως βίδες, καρφίτσες, παξιμάδια, ροδέλες, μικρά μεταλλικά και πλαστικά μέρη, ηλεκτρονικά εξαρτήματα, ανταλλακτικά και πολλούς άλλους τύπους αντικειμένων.

Η τελική συσκευασία, με τη μορφή σφραγισμένου δοχείου, χαρακτηρίζεται από ελκυστική εμφάνιση, υψηλή αισθητική και καλή ορατότητα του συσκευασμένου προϊόντος. Το ανθεκτικό και σφιχτό κλείσιμο της συσκευασίας προστατεύει από το άνοιγμα κατά την μεταφορά, διασφαλίζοντας τη βέλτιστη προστασία του συσκευασμένου προϊόντος από χύσιμο, σκέδαση ή πτώση της συσκευασίας ή ζημιές.

Τα υλικά συσκευασίας επιτρέπουν στη συσκευασία να έρθει σε επαφή με βρώσιμα λίπη, και στην περίπτωση συσκευασίας με αυξημένη αντοχή στη θερμοκρασία, είναι δυνατό να θερμάνετε το περιεχόμενό τους σε φούρνο μικροκυμάτων χωρίς να τα αφαιρέσετε από τη συσκευασία. Η υψηλή ευελιξία αυτών των υλικών διασφαλίζει ότι η συσκευασία είναι ανθεκτική σε ρωγμές σε ένα ευρύ φάσμα θερμοκρασιών αποθήκευσης.

GR

Περιβάλλον Χρήσης

Μην εγκαταστήσετε στεγανοποιητικά δίσκων:

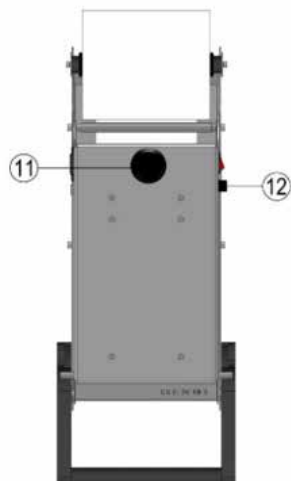
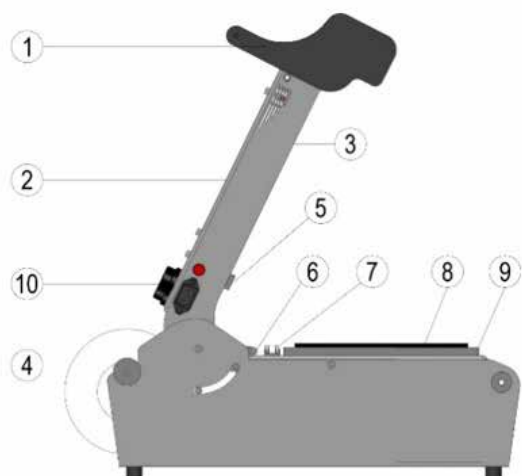
- Σε επιφάνεια που δεν επιτρέπει σταθερή ρύθμιση της συσκευής.
- Κοντά σε περιστρεφόμενα, δονούμενα μηχανήματα.
- Σε σκονισμένα μέρη.
- Σε μέρη με ατμόσφαιρα εύφλεκτων και χημικά επιθετικών ατμών.

Τα σφραγιστικά δίσκων προορίζονται για χρήση σε εμπορικές εγκαταστάσεις και πληρούν τις απαιτήσεις της κλάσης Α για εκπομπές ηλεκτρομαγνητικών παρεμβολών σύμφωνα με το πρότυπο EN 61000-6-3:2001.

Ένα προϊόν τέτοιας κατηγορίας που χρησιμοποιείται σε οικιακό περιβάλλον μπορεί να προκαλέσει ηλεκτρομαγνητικές παρεμβολές. Σε αυτήν την περίπτωση, ο χρήστης πρέπει να παρέχει πρόσθετη προστασία έναντι των παρεμβολών.



Γενική επισκόπηση

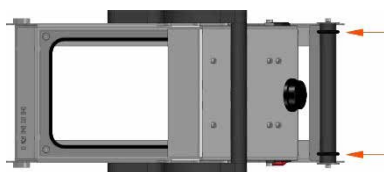


- 1. Λαβή καλύμματος, σύστημα πίεσης** - Παρέχει βολικό άνοιγμα και κλείσιμο της συσκευής και τη σωστή πίεση για συγκόλληση του δίσκου. Το εφαρμοζόμενο σύστημα δεν απαιτεί ισχύ χρήσης περισσότερη από όση είναι απαραίτητη.
- 2. Κάλυμμα** - Προστασία της πλάκας θέρμανσης.
- 3. Πλάκα θέρμανσης.**
- 4. Ρολό** - Το φύλλο αλουμινίου δεν περιλαμβάνεται στο στεγανοποιητικό.
- 5. Μαχαίρι κοπής αλουμινίου** - Εξασφαλίζει ότι το φύλλο έχει κοπεί με ασφάλεια αφού το κάλυμμα είναι εντελώς κλειστό.
- 6. Βάση αλουμινίου** - Εξασφαλίζει τη συγκράτηση της άκρης του φύλλου μετά την κοπή.
- 7. Κόπτης** - Διασφαλίζει ότι το φύλλο συγκρατείται και κόβεται με ασφάλεια αφού το κάλυμμα είναι εντελώς κλειστό.
- 8. Φλάντζα σιλικόνης του δοχείου** - Πιέζει την άκρη του δοχείου στο σημείο σφράγισης.
- 9. Περίβλημα** - Εξασφαλίζει στήριξη δίσκου προϊόντος (Η κάτοψη του προσαρμόζεται στο σχήμα του δοχείου).
- 10. Διακόπτης λειτουργίας (Κουμπί)** - Σας επιτρέπει να ενεργοποιήσετε / απενεργοποιήσετε τη συσκευή πατώντας το κουμπί (η κατάσταση ενεργοποίησης υποδεικνύεται από τον οπίσθιο φωτισμό του κουμπιού).
- 11. Ελεγκτής θερμοκρασίας** - Σας επιτρέπει να ρυθμίσετε τη θερμοκρασία ανάλογα με τον τύπο του φύλλου και των δοχείων. Διατηρεί τη θερμοκρασία της θερμαντικής πλάκας σταθερή όπως έχει οριστεί.
- 12. Ασφάλεια.**

Χρήση

Προετοιμασία

Η απόσταση του δακτυλίου (κόκκινη σήμανση) πρέπει να προσαρμόζεται στο πλάτος του ρολού με φύλλο αλουμινίου, εξασφαλίζοντας τη σωστή θέση του φύλλου σε σχέση με το δοχείο.



Εφαρμογή αλουμινόχαρτου

ΣΗΜΕΙΩΣΗ: Κατά την εφαρμογή του φύλλου, βεβαιωθείτε ότι η προς συγκόλληση πλευρά είναι στραμμένη προς τα κάτω.

ΣΠΟΥΔΑΙΟΣ:

- Μην τοποθετείτε το φύλλο έτσι ώστε να βλέπει προς την πλάκα θέρμανσης με το στρώμα που προορίζεται για συγκόλληση! Μπορεί να κολλήσει το φύλλο στη θερμαντική πλάκα και να μολύνει την επιφάνειά του!
- Χρησιμοποιείτε μόνο ρολά στα οποία τυλίγεται η περιέλιξη της μεμβράνης με ένα συγκολλησιμο στρώμα μέσα στο ρολό.

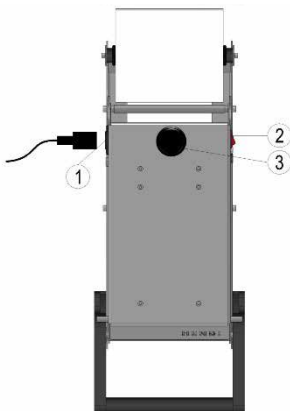
Σύνδεση του ρολού αλουμινίου:

- Τραβήξτε το στήριγμα ρολού από την υποδοχή 1.
- Τοποθετήστε το ρολό με αλουμινόχαρτο 2 στο στήριγμα ρολού 1 στο πίσω μέρος της συσκευής.
- Σύρετε το στήριγμα με τον κύλινδρο πίσω στην υποδοχή.

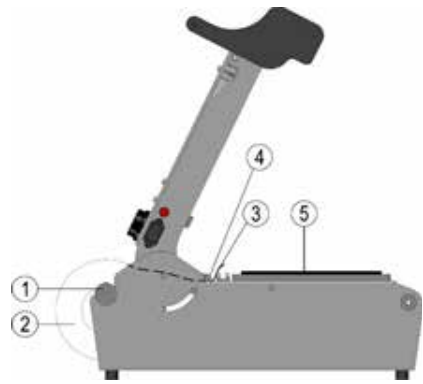
Ενεργοποίηση της συσκευής

Βήματα ενεργοποίησης του στεγανοποιητικού:

- Βεβαιωθείτε ότι η συσκευή είναι τοποθετημένη σε σταθερό μέρος.
- Συνδέστε το καλώδιο τροφοδοσίας στην πρίζα 1 της συσκευής και έπειτα στην πρίζα ~ 230V, εξοπλισμένη με ένα αποτελεσματικό κύκλωμα της προστατευτικής εγκατάστασης (γειωμένος πείρος).
- Ενεργοποιήστε τη συσκευή πατώντας το διακόπτη λειτουργίας 2.



- Χαλαρώστε χειροκίνητα την αρχή του αλουμινίου 3 και βάλτε το κάτω από τη βάση αλουμινίου 4.
- Τοποθετήστε το φύλλο στην επιφάνεια του πλαισίου 5.



Η ενεργοποίηση της συσκευής υποδεικνύεται από την ένδειξη του διακόπτη.

ΣΠΟΥΔΑΙΟΣ:

Πριν από τη χρήση, απαιτείται προθέρμανση (6 έως 10 λεπτά).

Χάρη στη χρήση ενός προγραμματιζόμενου ρυθμιστή θερμοκρασίας, η θερμοκρασία της πλάκας θέρμανσης μετά τη θέρμανση θα διατηρηθεί αυτόματα στο καθορισμένο επίπεδο, το οποίο θα εξασφαλίσει σταθερές συνθήκες για τη διαδικασία συγκόλλησης.

Το στεγανοποιητικό είναι εξοπλισμένο με ενσωματωμένο σύστημα κοπής φύλλων ασφαλείας. Η κατασκευή του στεγανοποιητικού προστατεύει τον χειριστή από εγκαύματα ή κοψίματα.

- Ρυθμίστε τη θερμοκρασία της πλάκας θέρμανσης με τον ελεγκτή θερμοκρασίας συγκόλλησης.

GR



Ρύθμιση θερμοκρασίας

Η θερμοκρασία ρυθμίζεται από ένα κουμπί με αποτυπωμένη την κλίμακα θερμοκρασίας. Δυνατή ρύθμιση θερμοκρασίας από 50 έως 210°C. Μόλις η πλάκα

θέρμανσης θερμανθεί μέχρι τη ρυθμισμένη θερμοκρασία, η φωτεινή ένδειξη στο πλάι του περιβλήματος σβήνει.

Διαδικασία συγκόλλησης

Εάν είστε εξοικειωμένοι με τις απαιτήσεις ασφαλείας της χρήσης, ξεκινήστε τη διαδικασία συγκόλλησης, σύμφωνα με την ακόλουθη περιγραφή.

Βήματα της διαδικασίας συγκόλλησης:

1. Τοποθετήστε το γεμάτο δοχείο στο πλαίσιο ανοίγματος.
2. Τραβήξτε το φύλλο πάνω από το δοχείο έτσι ώστε να είναι πλήρως καλυμμένο με το φύλλο.

3. Πιάστε τη λαβή του καλύμματος και κλείστε το κάλυμμα.
4. Περιμένετε 1-3 δευτερόλεπτα. Το φύλλο θα είναι συγκολλημένο κατά μήκος των άκρων του δίσκου.
5. Μετά την ολοκλήρωση της διαδικασίας συγκόλλησης - ανοίξτε το κάλυμμα και βγάλτε το κλειστό δοχείο.

Καθαρισμός και Συντήρηση

Καθαρισμός

Αφού κρύνει η συσκευή, αφαιρέστε τα υπολείμματα των συσκευασμένων προϊόντων με μια μαλακή βούρτσα.

JEάν είναι απαραίτητο, ξεπλύνετε τη βρωμιά με ένα μαλακό σφουγγάρι, ελαφρώς βρεγμένο με νερό και

απορροπαντικό. Μην χρησιμοποιείτε προϊόντα που δεν προορίζονται για αντικολλητική επίστρωση αυτού του τύπου (δείτε το φύλλο προϊόντος του καθαριστικού). Αφαιρέστε τυχόν ακαθαρσίες από την εστία με ένα μαλακό σφουγγάρι όταν το μηχανήμα είναι δροσερό.

GR

Επισκευή

Σε περίπτωση δυσλειτουργιών σταματήστε αμέσως τη χρήση της συσκευής και αποσυνδέστε την από την πηγή τροφοδοσίας.

Ελέγξτε τις απαντήσεις σε συχνές ερωτήσεις στο Κε-

φάλαιο «FAQ» και δείτε τις περιγραφές πιθανών λύσεων στο Κεφάλαιο «Αντιμετώπιση προβλημάτων». Εάν το πρόβλημα παραμένει, επικοινωνήστε με τον αντιπρόσωπό σας.

Ανταλλακτικά

Εάν χρειάζεστε πρόσβαση σε ανταλλακτικά κατά τη λειτουργία, επικοινωνήστε με τον διανομέα σας.

FAQ - Συχνές ερωτήσεις

α) Μπορώ να αντικαταστήσω τη μήτρα για να χρησιμοποιήσω διαφορετικό τύπο δοχείου;

Ναί. Η αντικατάσταση της μήτρας είναι εύκολη. Αφαιρέστε την υπάρχουσα μήτρα και εισαγάγετε μια νέα.

ΠΡΟΣΟΧΗ! Προσέξτε να μην καείτε στην επιφάνεια της θερμαντικής πλάκας θέρμανσης.

β) Μπορώ να χρησιμοποιήσω την ίδια μήτρα για διαφορετικά σχήματα δοχείων;

Ναι, ωστόσο, αυτό είναι δυνατό μόνο εάν το δοχείο έχει ένα διαμέρισμα και το μήκος και το πλάτος των διαφόρων δοχείων είναι ακριβώς το ίδιο.

γ) Πού μπορώ να παραγγείλω νέα μήτρα;

Επικοινωνήστε με τον διανομέα σας.

δ) Μπορώ να παραγγείλω δοχεία προσαρμοσμένων σχεδίων;

Ναι, αλλά η παραγγελθείσα ποσότητα μπορεί να είναι πολύ μεγάλη. Το κόστος κατασκευής μιας μήτρας και ενός πλαισίου για ένα άτυπο δοχείο πρέπει να αιτιολογείται οικονομικά.

ε) Είναι δυνατή η χρήση δοχείων μεγαλύτερης χωρητικότητας;

Ναι, επικοινωνήστε με τον διανομέα σας.



Αντιμετώπιση προβλημάτων

Σύμπτωμα	Αιτία	Λύση
Το μηχανήμα δεν σφραγίζει το φύλλο στην άκρη του δοχείου ή η στεγανοποίηση είναι πολύ αδύναμη.	Το ρολό του καπακιού δεν έχει τοποθετηθεί σωστά.	Αντιτρέψτε το ρολό. Το φύλλο αλουμινίου πρέπει να είναι στραμμένο προς το δοχείο.
	Το ρολό του φύλλου δεν ταιριάζει με το υλικό από το οποίο κατασκευάζεται το δοχείο.	Αλλάξτε το ρολό ή το δοχείο μεμβράνης στεγανοποίησης.
	Πολύ χαμηλή θερμοκρασία.	Αυξήστε τη θερμοκρασία.
	Πολύ σύντομος χρόνος συγκόλλησης.	Αφήστε το κάλυμμα περισσότερο χρόνο κλειστό.
	Η μήτρα είναι ανεστραμμένη.	Αντιτρέψτε τη μήτρα.
	Έλλειψη λωρίδων σιλικόνης στη μήτρα.	Γεμίστε τα κενά και τοποθετήστε νέες ταινίες σιλικόνης.
Η συσκευή δεν ανάβει.	Υπάρχει ένα κενό στη γραμμή πίεσης της ταινίας σιλικόνης.	Ρυθμίστε τη θέση της ταινίας.
	Το καλώδιο ρεύματος δεν είναι συνδεδεμένο στην παροχή ρεύματος ή το μηχανήμα δεν είναι ενεργοποιημένο.	Συνδέστε τη συσκευή στο τροφοδοτικό και ενεργοποιήστε την.
Το φύλλο σφράγισης δεν κόβεται.	Καμένη ασφάλεια.	Επικοινωνήστε με το σέρβις.
	Το μαχαίρι λείπει ή έχει υποστεί ζημιά.	Επικοινωνήστε με το σέρβις για αντικατάσταση του μαχαριού.

Τεχνικά χαρακτηριστικά

ΜΟΝΤΕΛΟ	976722
Διαστάσεις (Σφράγισμα)	637x258x(H)247 mm
Διαστάσεις (Ρολό)	Ø160 x (max) 200 mm
Διαστάσεις Tray	195x250x(H)10 mm
Απόδοση	8-10 κύκλοι / λεπτό
Μέγιστη. Εξουσία	700 W
Ενταση	AC ~230V 50Hz
Ασφάλεια ηλεκτρική	5x20 καθυστέρηση 3,15 A
Ενδείξεις	Ενεργοποίηση λυχνίας + Ενδεικτική λυχνία θερμαντικής πλάκας.
Τεχνολογία συγκόλλησης	Πλάκα θέρμανσης με αντικολπτική επίστρωση με χειροκίνητη ρυθμιζόμενη θερμοκρασία.
Ιδιότητες	- Κατασκευή από ανοξείδωτο χάλυβα, γρήγορη αλλαγή μήτρας για δοχεία, - ασφαλές και σταθερό σύστημα ελέγχου, - τη δυνατότητα χρήσης πινάκων προσαρμοσμένων στις ατομικές ανάγκες του χρήστη, - εγκάρσια κοπή του φύλλου
Καθαρό βάρος	10 kg

GR



Εγγύηση

Οποιοδήποτε ελάττωμα επηρεάζει τη λειτουργικότητα της συσκευής που γίνεται προφανές δύο χρόνια μετά την αγορά της, θα διορθώνεται με δωρεάν επισκευή ή αντικατάσταση, αρκεί η συσκευή να έχει χρησιμοποιηθεί και συντηρηθεί σύμφωνα με τις οδηγίες και να μην έχει γίνει κατάχρηση ή λανθασμένη χρήση της με οποιονδήποτε τρόπο. Δε θίγονται τα νόμιμα δικαιώματά σας. Εάν η συσκευή υποστηρίζεται

από εγγύηση, δηλώστε πού και πότε έχει αγοραστεί και συμπεριλάβετε την απόδειξη αγοράς (π.χ. απόδειξη λιανικής πώλησης).

Σύμφωνα με την πολιτική μας για τη συνεχή εξέλιξη των προϊόντων μας, διατηρούμε το δικαίωμα να αλλάξουμε το προϊόν, τη συσκευασία και τις προδιαγραφές τεκμηρίωσής του χωρίς προειδοποίηση.

Απόρριψη & Περιβάλλον

Η συσκευή, μετά το πέρας της διάρκειας ζωής της, δεν πρέπει να απορρίπτεται ως οικιακό απόρριμμα. Πρέπει να απορρίπτεται, με δική σας ευθύνη, σε καθορισμένο σημείο συλλογής. Η μη τήρηση αυτού ενδέχεται να τιμωρείται σύμφωνα με τους ισχύοντες κανονισμούς για τη διάθεση των απορριμμάτων. Η χωριστή συλλογή και ανακύκλωση αυτής της συσκευής κατά τη στιγμή της απόρριψης βοηθά στη διατήρηση των φυσικών πόρων και εξασφαλίζει την ανακύκλωσή της με τρόπο που προστατεύει την ανθρώπινη υγεία και το περιβάλλον.

Για περισσότερες πληροφορίες σχετικά με το πού μπορείτε να απορρίψετε τη συσκευή για ανακύκλωση, επικοινωνήστε με την τοπική εταιρεία συλλογής απορριμμάτων. Οι κατασκευαστές και οι εισαγωγείς δεν αναλαμβάνουν την ευθύνη ανακύκλωσης, επεξεργασίας και οικολογικής διάθεσης, είτε άμεσα είτε μέσω δημόσιου συστήματος.

GR

ΣΕΡΒΙΣ ΕΛΛΑΔΟΣ:

Τηλ.: 213 0 998989 (10 γραμμές)

info@pks-hendi.com.



Poštovani kupac,

Hvala vam što ste kupili ovaj Hendi aparat. Pažljivo pročitajte ovaj priručnik, obratite posebnu pozornost na sigurnosne propise navedene u nastavku, prije instalacije i korištenja ovog uređaja po prvi put.

Sigurnosni propisi



- Ovaj je uređaj namijenjen isključivo za komercijalnu upotrebu.
- Koristite aparat samo za namjeravanu svrhu za koju je dizajniran kako je opisano u ovom priručniku.
- Proizvođač nije odgovoran za bilo kakvu štetu uzrokovanu pogrešnim radom i nepravilnom uporabom.
- Uređaj i električni utikač držite podalje od vode i drugih tekućina. U slučaju da aparat padne u vodu, odmah izvadite utikač iz utičnice. Ne upotrebljavajte uređaj dok ga ne provjeri certificirani tehničar. Nepoštivanje ovih uputa uzrokovat će rizike opasne po život.
- Nikada ne pokušavajte sami otvoriti kućište aparata.
- Nemojte umetati predmete u kućište uređaja.
- Nemojte dodirivati utikač mokrim ili vlažnim rukama.
- ⚡ **OPASNOST OD STRUJNOG UDARA!** Ne pokušavajte sami popraviti aparat, popravke treba provoditi samo kvalificirano osoblje.
- **Nikada ne koristite oštećeni aparat!** Kada je oštećen, odvojite aparat iz utičnice i obratite se trgovcu.
- **UPOZORENJE!** Nemojte uranjati električne dijelove aparata u vodu ili druge tekućine.
- Nikada ne držite aparat pod tekućom vodom.
- Redovito provjeravajte utikač i kabel za bilo kakvu štetu. Kada je oštećen mora biti zamijenjen servisnim agentom ili slično kvalificiranom osobom kako bi se izbjegla opasnost ili ozljede.
- Pazite da kabel ne dođe u dodir s oštrim ili vrućim predmetima i držite ga podalje od otvorene vatre. Nikada ne povlačite kabel za napajanje da biste ga isključili iz utičnice, umjesto toga uvijek povucite utikač.
- Provjerite da kabel za napajanje i/ili produžni kabel ne uzrokuju opasnost od putovanja.
- Nikada nemojte ostavljati aparat bez nadzora tijekom uporabe.
- **UPOZORENJE!** Sve dok je utikač u utičnici, uređaj je spojen na izvor napajanja.
- Isključite aparat prije isključivanja iz utičnice.
- Priključite utikač na lako dostupnu električnu utičnicu tako da se u slučaju nužde uređaj može odmah isključiti.
- Nikada ne nosite aparat za kabel.
- Nemojte koristiti dodatne uređaje koji nisu isporučeni zajedno s aparatom.
- Priključite uređaj samo na električnu utičnicu s naponom i frekvencijom navedenom na naljepnici uređaja.
- Nikada ne koristite dodatnu opremu osim onih koje preporučuje proizvođač. Ako to ne učinite može predstavljati sigurnosni rizik za korisnika i može oštetiti uređaj. Koristite samo originalne dijelove i pribor.

HR



- Ovim aparatom ne smiju upravljati osobe sa smanjenim fizičkim, osjetilnim ili mentalnim sposobnostima ili osobe koje nemaju iskustva i znanja.
- Ovaj aparat ne smije, ni pod kojim okolnostima, koristiti djeca.
- Uređaj i kabel za napajanje čuvajte izvan dohvata djece.
- **UPOZORENJE:** UVIJEK isključite aparat i isključite iz utičnice prije čišćenja, održavanja ili skladištenja.

Posebni sigurnosni propisi

- Ovaj je uređaj namijenjen za nepropusno pakiranje prehrambenih proizvoda namijenjenih izravnoj potrošnji, na polipropilenskim (PP) pladnjevima ili izrađenim od ekoloških materijala.
- Uređaj upotrebljavajte isključivo na način opisan u ovom priručniku.
-  **OPASNOST OD OPEKLINA! NIKADA NE DIRAJTE BRTVENU PLOČU!** Jako je vruć i nakon uporabe. Postoji opasnost od opekline. Pričekajte dok se uređaj ne ohladi. Također, nemojte dodirivati uređaj za vrijeme uporabe.
- Uređaj se mora očistiti i ostaci hrane moraju se redovito uklanjati. Ako se uređaj ne održava u čistom stanju, to će imati štetan učinak na vijek trajanja uređaja i može rezultirati opasnim stanjem tijekom uporabe.
- Nemojte stavljati uređaj na grijaći predmet (benzin, električnu struju, štednjak s ugljenom itd.) Uređaj držite podalje od vrućih površina i otvorenih plamena. Uvijek rukujte uređajem na ravnoj, stabilnoj, čistoj, otpornoj na toplinu i suhoj površini.
- Nemojte upotrebljavati uređaj za pakiranje zapaljivih predmeta.
-  **OPASNOST OD PRIGNJEČENJA RUKU!** Ne stavljajte ruke ispod poklopca uređaja tijekom uporabe/zatvaranja.

Namjena

- Ovaj je uređaj namijenjen za profesionalnu upotrebu.
- Ovaj je uređaj namijenjen za nepropusno pakiranje prehrambenih proizvoda namijenjenih izravnoj potrošnji, prodaji po težini itd. na polipropilenskim (PP) pladnjevima ili za izradu ekoloških materijala. Korištenje uređaja u bilo koju drugu svrhu može ga oštetiti ili uzrokovati tjelesne ozljede.
- Korištenje uređaja u bilo koju drugu svrhu smatrat će se zlouporabom. Korisnik će biti isključivo odgovoran za nepravilnu upotrebu uređaja.

Instalacija uzemljenja

Ovaj uređaj je klasificiran kao **zaštitna klasa I** i mora biti spojen na zaštitno tlo. Uzemljenje smanjuje rizik od strujnog udara osiguravanjem žice za bijeg za električnu struju. Ovaj uređaj je opremljen

kabelom za napajanje koji ima žicu za uzemljenje i uzemljeni utikač. Utikač mora biti priključen u utičnicu koja je pravilno instalirana i uzemljena.

Općeniti podaci

Ovaj uređaj prilagođen je dimenzijama korištene ambalaže s maksimalnim dimenzijama od 227 x 177 mm i okrugle ambalaže maksimalnog promjera od 170 mm, kao i za modele s transverzalnim

presijecanjem folije.

Metoda pakiranja kod polipropilena (PP) ili onih od ekološkog materijala koji omogućuje brzo i sigurno

pakiranje sljedećih proizvoda:

- meso,
- riba,
- senzor
- gotova jela i polugotovi obroci,
- salate od povrća,
- morske plodove,
- ubrano povrće, masline, itd.

Uređaj se naširoko koristi u komercijalnim, gastro-nomskim i ugostiteljskim objektima.

Uređaj se može koristiti i za pakiranje malih industrijskih predmeta, poput vijaka, klinova, matiča, podloški, malih metalnih i plastičnih dijelova, elektroničkih dijelova i dijelova, rezervnih dijelova

i mnogih drugih artikala.

Spremno pakiranje u obliku hermetički zatvorenog spremnika odlikuje se privlačnim izgledom, visokom estetikom i dobrom vidljivošću zapakiranog proizvoda. Izdržljivo i čvrsto zatvaranje pakiranja štiti od otvaranja tijekom transporta, osiguravajući optimalnu zaštitu proizvoda od prolijevanja, prolijevanja ili ispadanja iz pakiranja ili oštećenja. Materijali pakiranja omogućuju kontakt s jestivim masnoćama te kod pakiranja s povećanom otpornošću na temperaturu moguće je zagrijati njihov sadržaj u mikrovalnoj pećnici bez vađenja iz pakiranja. Velika fleksibilnost ovih materijala osigurava otpornost ambalaže na napuknuća u širokom rasponu temperatura skladištenja.

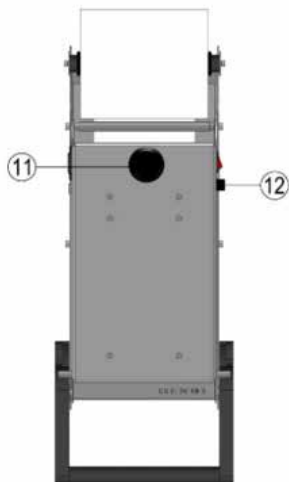
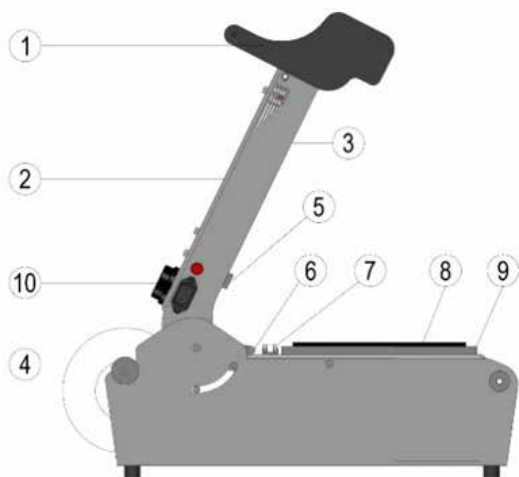
Radno okruženje

Nemojte postavljati uređaj:

- Na površini koja ne dopušta stabilne postavke uređaja.
- Blizu rotirajućih, vibrirajućih strojeva.
- Na prašnjavim mjestima.
- Na mjestima s atmosferom zapaljivih i kemijski agresivnih para.

Ovaj je uređaj namijenjen uporabi u komercijalnim objektima i zadovoljava zahtjeve klase A za elektromagnetske smetnje u skladu s EN 61000-6-3:2001. Razredni proizvod koji se upotrebljava u stambenom okruženju može uzrokovati elektromagnetske smetnje. U tom slučaju korisnik treba pružiti dodatnu zaštitu od smetnji.

Općeniti prikaz



1. **Pokrovna ručka, sustav tlaka** – Omogućuje praktično otvaranje i zatvaranje uređaja te pravilan tlak za spajanje ladice. Primijenje-

ni sustav ne zahtijeva jačinu uporabe koja je veća od potrebne.

2. **Poklopac** - Zaštitite grijajuću ploču.



3. **Grijaću ploču.**
4. **Rola s folijom** – folija nije uključena u uređaj.
5. **Nož za rezača mrežice** – Provjerite je li folija sigurno izrezana nakon što se poklopac potpuno zatvori.
6. **Držač za foliju** -osigurava zadržavanje ruba folije nakon rezanja.
7. **Rezač** – osigurava da se folija drži i sigurno reže nakon što se poklopac potpuno zatvori.
8. Silikonska brtva spremnika – Naslonite rub spremnika na foliju na mjestu spajanja.
9. **Matrica spremnika** – osigurava potporu ladice

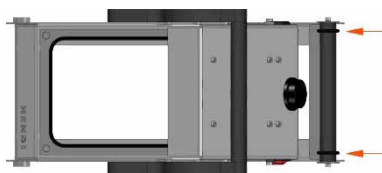
proizvoda (gornji prikaz matrice prilagođen je obliku spremnika).

10. **Prekidač za uključivanje (tipka)** – Omogućuje uključivanje / isključivanje uređaja pritiskom na tipku (status uključivanja označen je pozadinskim osvjetljenjem tipke).
11. **Regulator temperature** – Omogućuje podešavanje temperature prema vrsti folije i spremnika. Održava stalnu temperaturu grijaće ploče kako je postavljeno.
12. **Osigurač.**

Korisnički priručnik

Preliminarni lijekovi

Razmak čahure (crvena oznaka) treba podesiti folijom na širinu role, osiguravajući pravilan položaj folije u odnosu na spremnik.



Primjena mrežice

NAPOMENA: Prilikom nanošenja folije pazite da je strana koju želite zavarivati okrenuta prema dolje.

VAŽNO:

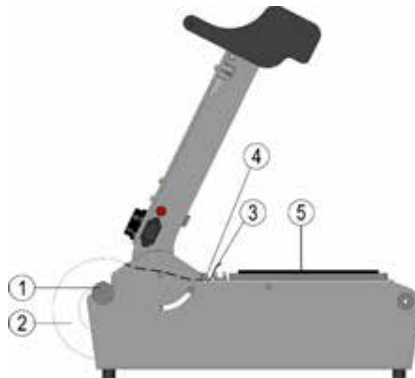
- Ne stavljajte foliju tako da je okrenuta prema grijaćoj ploči s slojem namijenjenim za brtvljenje! Ona može zalijepiti foliju za grijaću ploču i onečistiti njezinu površinu!
- Upotrijebite samo role u kojima se namotavanje folije namotava sa zavarenim slojem unutar role.

Pričvršćivanje role folije:

- Izvucite potporu za okretanje iz utora 1.
- Rolu s folijom 2 postavite na nosač role 1 na stražnjoj strani uređaja.
- Kliznite nosač s valjkom nazad u utor.
- Ručno odmotajte početak folije 3 i stavite je ispod

držača folije 4.

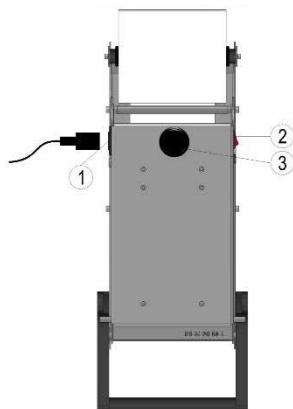
- Foliju stavite na površinu okvira 5.



Uključivanje

Kako biste uključili uređaj, slijedite korake u nastavku:

- Provjerite je li uređaj postavljen na stabilno mjesto.
- Utičnicu 1 na uređaju priključite na strujni kabel od ~ 230V, opremljen učinkovitim krugom za zaštitu (zaštitni klin).
- Uključite uređaj pritiskom na prekidač 2.



Uključivanje uređaja signalizira pozadinskim osvjetljenjem prekidača.

Kontrola temperature

Temperaturu regulira gumb s otisnutom ljestvicom temperature. Moguće postavke temperature u rasponu od 50 do 210°C. Čim se grijaća ploča zagrije

Postupak zatvaranja

Uvjerite se da ste upoznati sa sigurnosnim zahtjevima korištenja. Započnite postupak brtvljenja prema sljedećem opisu:

1. Stavite napunjeni spremnik u otvor okvira.
2. Povucite foliju preko spremnika tako da je u potpunosti pokrivena folijom.

Čišćenje i održavanje

Čišćenje

Nakon što se uređaj ohladi, uklonite ostatke pakiranih proizvoda mekom četkom. Ako je potrebno, nečistoće operite mekom spužvom navlaženom vodom i deterdžentom. Ne upotrebljavajte proizvo-

VAŽNO:

Prije upotrebe potrebno je predzagrijavanje. (6 do 10 minuta).

Zahvaljujući uporabi programabilnog regulatora temperature, temperatura grijaće ploče nakon zagrijavanja automatski će se održati na postavljenoj razini, što će osigurati stabilne uvjete za postupak brtvljenja.

Uređaj je opremljen ugrađenim sustavom sigurnosnog odijevanja folijom. Konstrukcija uređaja za brtvljenje štiti rukovatelja od opekline ili porezotina.

- Postavite temperaturu grijaće ploče pomoću regulatora temperature brtve.

na postavljenu temperaturu, isključit će se svjetlo na bočnoj strani kućišta.

3. Uхватите ручицу poklopca i zatvorite poklopac.
4. Pričekajte 1-3 sekunde. Folija zavarena duž rubova korita.
5. Nakon završetka postupka brtvljenja - otvorite poklopac i izvadite zatvoreni spremnik.

HR

de koji nisu namijenjeni za neprijanjajući premaz (pogledajte list proizvoda za čišćenje). Kad je uređaj hladan, uklonite nečistoće s ploče za kuhanje mekom spužvom.

Popravak

U slučaju kvara odmah prekinite s korištenjem uređaja i iskopčajte ga iz izvora napajanja. Provjerite odgovore na često postavljana pitanja u

poglavlju „FAQ“ i pogledajte opise mogućih rješenja u poglavlju „Rješavanje problema“. Ako se problem ne riješi, obratite se distributeru.

Rezervni dijelovi

Ako vam je potreban pristup rezervnim dijelovima tijekom rada, obratite se svom distributeru.

FAQ - Često postavljana pitanja



a. Mogu li zamijeniti matricu za upotrebu druge vrste spremnika?

Da. Zamjena matrice je jednostavna. Uklonite postojeću matricu i unesite novu.

PAŽNJA! Pazite da se ne opečete na površinu grijaće ploče.

b. Mogu li upotrijebiti istu matricu za različite oblike spremnika?

Da, međutim, to je moguće samo ako spremnik ima jedan odjeljak i dužinu i širinu različitih spremnika su potpuno jednaki. Ako na ovom području ima divizija, one neće biti zavarene.

c. Gdje mogu naručiti novu matricu?

Obratite se svom distributeru.

d. Mogu li naručiti posebne spremnike za dizajn?

Da, ali naručena količina mora biti vrlo velika. Troškovi izrade matrice i okvira za atipični kontejner moraju biti ekonomski opravdani.

e. Je li moguće koristiti spremnike većeg kapaciteta?

Da, kontaktirajte svog distributera.

Rješavanje problema

Problem	Mogući razlog	Rješenje
Uređaj ne zatvara foliju do ruba spremnika ili je ploha prestaba	Remenje od folije poklopca nije pravilno postavljeno.	Okrenite rolu. Folija mora biti okrenuta prema spremniku.
	Rola od folije nije usklađena s materijalom od kojeg je izrađen spremnik.	Promijenite rolu ili spremnik brtvene folije.
	Preniska temperatura.	Povećajte temperaturu.
	Prekratko vrijeme zavarivanja.	Ostavite poklopac duže zatvorenim.
	Matrica je obrnuta (s silikonskim trakama okrenutima prema dolje).	Preokrenite matricu.
	Nedostatak silikonskih traka na matičnim.	Prazninama za punjenje i umetanje novih silikonskih traka.
Uređaj se ne pokreće	Postoji razmak u tlačnoj liniji silikonske trake.	Podesite položaj trake.
	Kabel napajanja nije priključen na napajanje ili stroj nije uključen.	Spojite uređaj na izvor napajanja i uključite ga.
Brtvena folija nije odrezana.	Pregorio je osigurač.	Kontaktirajte ovlaštenog servisera.
	Brtvena folija nije odrezana.	Kontakt s ovlaštenim servisom za zamjenu noža.

Tehnički podaci

Broj stavke	976722
Dimenzije (uređaj)	637x258x(H)247 mm
Dimenzije (valjka)	Ø160 x (max) 200 mm
Dimenzije plitice	195x250x(H)10 mm
Učinkovitost	8-10 ciklusa/min
Maks. Napajanje	700 W
Napon	AC -230V 50Hz
Osigurač	5x20 odgođeno 3,15 A
Pokazivači	Uključivanje svjetla + Indikatorsko svjetlo ploče za grijanje
Tehnologija zatvaranja	Grijaća ploča s neprianjajućim premazom s ručno podesivom temperaturom
Svojsstva	<ul style="list-style-type: none">- Konstrukcija od nehrđajućeg čelika, brza zamjena matrice za spremnike,- siguran i stabilan sustav kontrole temperature,- mogućnost korištenja matrica prilagođenih pojedinačnim potrebama korisnika,- poprečno rezanje folije.
Neto težina	10 kg

Jamstvo

Svaki kvar koji utječe na funkcionalnost uređaja koji postane očit u roku od godinu dana nakon kupnje bit će popravljen besplatnim popravkom ili zamjenom pod uvjetom da je uređaj korišten i održavan u skladu s uputama te da nije zloupotrijebljen ili zloupotrijebljen na bilo koji način. Vaša zakonska prava ne utječu. Ako se uređaj traži pod jamstvom,

navedite gdje i kada je kupljen i uključite dokaz o kupnji (npr. primitak).

U skladu s našom politikom kontinuiranog razvoja proizvoda zadržavamo pravo promjene specifikacija proizvoda, pakiranja i dokumentacije bez prethodne najave.

Odbacivanje i okolina

Prilikom razgradnje uređaja, proizvod se ne smije odlagati s drugim kućnim otpadom. Umjesto toga, vaša je odgovornost raspolagati otpadnom opremom tako što ćete je predati određenom mjestu prikupljanja. Nepoštivanje ovog pravila može se kazniti u skladu s važećim propisima o zbrinjavanju otpada. Odvojeno sakupljanje i recikliranje vaše otpadne opreme u trenutku odlaganja pomoći će

očuvanju prirodnih resursa i osiguravanju recikliranja na način koji štiti ljudsko zdravlje i okoliš.


Za više informacija o tome gdje možete ostaviti svoj otpad za recikliranje, obratite se lokalnoj tvrtki za prikupljanje otpada. Proizvođači i uvoznici ne preuzimaju odgovornost za recikliranje, obradu i ekološko zbrinjavanje, izravno ili putem javnog sustava.



Vážený zákazníku,

Děkujeme, že jste si koupili tento spotřebič Hendi. Přečtěte si pozorně tuto příručku a věnujte zvláštní pozornost níže uvedeným bezpečnostním předpisům před instalací a používáním tohoto spotřebiče poprvé.

Bezpečnostní předpisy

- Tento spotřebič je určen pouze pro komerční použití.
- Spotřebič používejte pouze k zamýšlenému účelu, pro který byl navržen, jak je popsáno v této příručce.
- Výrobce nenese odpovědnost za škody způsobené nesprávným provozem a nesprávným používáním.
- Udržujte spotřebič a elektrickou zástrčku mimo vodu a jiné kapaliny. V případě, že spotřebič spadne do vody, okamžitě vyjměte zástrčku ze zásuvky. Nepoužívejte spotřebič, dokud nebyl zkontrolován certifikovaným technikem. Nedodržení těchto pokynů způsobí život ohrožující rizika.
- Nikdy se nepokoušejte otevřít kryt spotřebiče sami.
- Nevkládejte předměty do pouzdra spotřebiče.
- Nedotýkejte se zástrčky mokkými nebo vlhkými rukama.
-  **NEBEZPEČÍ ELEKTRICKÝM PROUDEM!** Nepokoušejte se opravit spotřebič sami, opravy provádějí pouze kvalifikovaní pracovníci.
- **Nikdy nepoužívejte poškozený spotřebič!** Když je poškozen, odpojte spotřebič od zásuvky a obraťte se na prodejce.
- **VAROVÁNÍ!** Neponořte elektrické části spotřebiče do vody nebo jiných kapalin.
- Nikdy nadržte spotřebič pod tekoucí vodou.
- Pravidelně kontrolujte napájecí zástrčku a kabel pro případné poškození. Pokud je poškozen, musí být nahrazen servisním zástupcem nebo podobně kvalifikovanou osobou, aby se zabránilo nebezpečí nebo zranění.
- Ujistěte se, že kabel nepřichází do kontaktu s ostrými nebo horkými předměty a udržujte jej mimo otevřený oheň. Nikdy nevytahujte napájecí kabel, abyste jej odpojili od zásuvky, vždy vytáhněte zástrčku.
- Ujistěte se, že napájecí kabel nebo prodlužovací kabel nezpůsobují nebezpečí výletu.
- Spotřebič během používání nenechávejte bez dozoru.
- **VAROVÁNÍ!** Dokud je zástrčka v zásuvce, je spotřebič připojen ke zdroji napájení.
- Vypněte spotřebič před odpojením ze zásuvky.
- Napájecí zástrčku připojte ke snadno přístupné elektrické zásuvce, takže v případě nouze lze spotřebič okamžitě odpojit.
- Nikdy nenoste spotřebič za šňůru.
- Nepoužívejte žádná další zařízení, která nejsou dodávána společně se spotřebičem.
- Připojte spotřebič pouze k elektrické zásuvce s napětím a frekvencí uvedenými na štítku spotřebiče.
- Nikdy nepoužívejte jiné příslušenství než příslušenství doporučené výrobcem. Pokud tak neučiníte, mohlo by představovat bezpečnostní riziko pro uživatele a mohlo by dojít k



CZ



poškození spotřebiče. Používejte pouze originální díly a příslušenství.

- Tento spotřebič by neměl být provozován osobami se sníženými fyzickými, smyslovými nebo duševními schopnostmi ani osobami, které nemají zkušenosti a znalosti.
- Tento spotřebič by za žádných okolností neměly používat děti.
- Spotřebič a napájecí kabel uchovávejte mimo dosah dětí.
- **VAROVÁNÍ:** VŽDY vypněte spotřebič a odpojte od elektrické zásuvky před čištěním, údržbou nebo skladováním.

Zvláštní bezpečnostní předpisy

- Svařovací stroje jsou určeny pro vzduchotěsné balení potravinářských výrobků určených k přímé spotřebě, na podložkách z polypropylenu (PP) nebo vyrobených z ekologických materiálů.
- Spotřebič používejte pouze tak, jak je popsáno v tomto návodu.
-  **HROZÍ NEBEZPEČÍ POPÁLENÍ! NIKDY SE NEDOTÝKEJTE TĚSNICÍ DESKU!** Je velmi horká i po použití. Hrozí nebezpečí popálení. Počkejte, až spotřebič vychladne. Rovněž se nedotýkejte spotřebiče během jeho používání.
- Spotřebič je třeba pravidelně čistit a odstraňovat zbytky potravin. Pokud spotřebič nebude udržován v čistém stavu, povede to ke škodlivému vlivu na spotřebič, životnost spotřebiče a může vést k nebezpečnému stavu během používání.
- Spotřebič nestavte na topný předmět (benzínový, elektrický, vařič na dřevěné uhlí apod.). Spotřebič udržujte mimo dosah jakýchkoli horkých povrchů a otevřeného ohně. Vždy používejte spotřebič na rovném, stabilním, čistém, žáruvzdorném a suchém povrchu.
- Nepoužívejte spotřebič k balení hořlavých předmětů.
-  **NEBEZPEČÍ PŘIMÁČKNUTÍ RUKOU!** Při uzavírání nekládejte ruce pod kryt spotřebiče.

Zamýšlené použití

- Tento spotřebič je určen pro odborné použití.
- Svařovací stroje jsou určeny pro vzduchotěsné balení potravinářských výrobků určených k přímé spotřebě, prodávaných volně na váhu (atd.), na podložkách z polypropylenu (PP) nebo vyrobených z ekologických materiálů. Žádný jiné

použití může vést k poškození zařízení nebo zranění osob.

- Provozování zařízení pro jiné účely se považuje za zneužití zařízení. Uživatel nese výhradní odpovědnost za nesprávné použití zařízení.

Uzemňovací instalace

Tento spotřebič je klasifikován jako **třída ochrany I** a musí být připojen k ochrannému prostředku. Uzemnění snižuje riziko úrazu elektrickým proudem tím, že poskytuje únikový vodič pro elektrický

proud. Tento spotřebič je vybaven napájecím kabelem, který má uzemňovací vodič a uzemněnou zástrčku. Zástrčka musí být zapojena do zásuvky, která je správně instalována a uzemněna.



Účel použití

Svařovací stroje jsou přizpůsobeny rozměrům používaných obalů, maximální rozměry 227x178 mm, a kulatých obalů o maximálním průměru 170 mm a také modelům s příčným řezáním fólie.

Způsob balení do polypropylenu (PP) nebo s podnosy z ekologických materiálů umožňuje rychlé a bezpečné balení následujících produktů:

- maso,
- rybí výrobky,
- lahůdky,
- hotová jídla a polotovary,
- zeleninové saláty,
- plody moře,
- nakládaná zelenina, olivy atd.

Zařízení je široce používáno v komerčních, gastronomických a stravovacích podnicích.

Tuto metodu svařování lze také použít k balení

drobných průmyslových předmětů, jakými jsou například šrouby, čepy, matice, podložky, malé kovové a plastové díly, elektronické díly a součásti, náhradní díly a předměty jiných typů.

Hotové balení ve formě uzavřené nádoby se vyznačuje atraktivním vzhledem, vysokou estetikou a dobrou viditelností zabaleného produktu. Odolné a těsné uzavření obalu chrání před otevřením během přepravy a zajišťuje optimální ochranu zabaleného produktu před rozlitím, rozprášením nebo vypadnutím z obalu a poškozením. Obalové materiály umožňují, aby obal mohl přicházet do kontaktu s jedlými tuky; a v případě balení se zvýšenou teplotní odolností je možné příslušný obsah ohřívat v mikrovlnné troubě bez vytažení obsahu z balení. Vysoká flexibilita těchto materiálů zajišťuje odolnost obalu proti praskání v širokém rozsahu skladovacích teplot.

Pracovní prostředí

Zatavovací baličky neinstalujte:

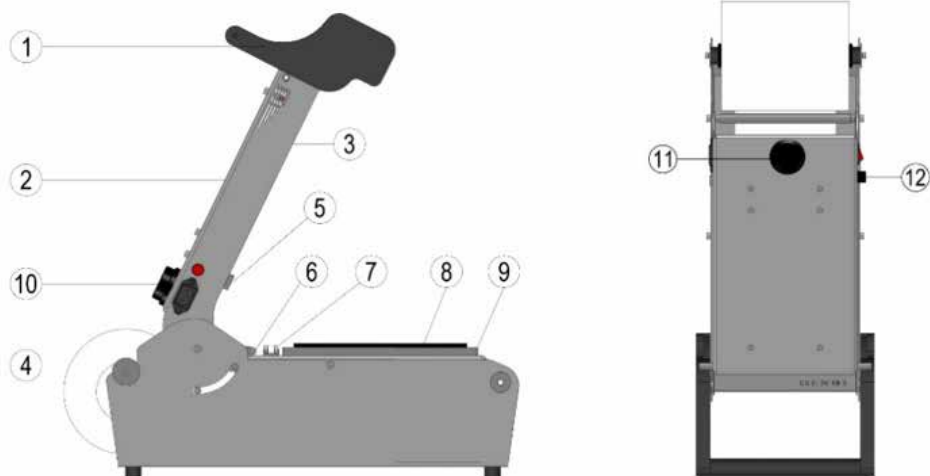
- na povrchu, který neumožňuje stabilní nastavení zařízení.
- v blízkosti rotujících vibračních strojů.
- na prašných místech.
- v místech s hořlavými a chemicky agresivními výpary.

Zatavovací baličky jsou určeny pro použití v ko-

merčních zařízeních; splňují požadavky třídy A s ohledem na emise elektromagnetického rušení podle normy EN 61000-6-3:2001.

Produkt třídy A používaný v obytném prostředí může způsobit elektromagnetické rušení. V takovém případě musí uživatel zajistit další ochranu proti rušení.

Obecný pohled



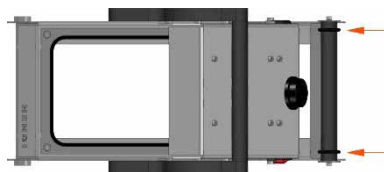
- 1. Rukojeť krytu, tlakový systém** - zajišťuje pohodlné otevírání a zavírání zařízení a správný tlak pro svařování krabičky. Aplikovaný systém nevyžaduje vyšší sílu, než je nezbytně nutné.
- 2. Kryt** - ochrana topné desky.
- 3. Topná deska.**
- 4. Role s fólií** - fólie není součástí zatavací balíčky.
- 5. Nůž na řezání fólie** - zajišťuje bezpečné řezání fólie po úplném uzavření krytu.
- 6. Držák fólie** - udržuje okraj fólie po řezání.
- 7. Řezačka** - zajišťuje, že fólie bude po úplném uzavření krytu udržována ve své pozici a bezpečně řezána.
- 8. Silikonové těsnění nádoby** - lisování okraje nádoby a fólie v místě utěsnění.
- 9. Matrice nádoby** - zajišťuje podporu zatavací balíčky produktů (pohled shora na matici je přizpůsoben tvaru nádoby).
- 10. Vypínač (tlačítko)** - umožňuje zapnout/vypnout zařízení stisknutím tohoto tlačítka (stav zapnutí je indikován podsvícením tlačítka).
- 11. Regulátor teploty** - umožňuje nastavit teplotu podle typu fólie a nádob. Udržuje konstantní teplotu topné desky.
- 12. Pojistka.**

CZ

Manuál

Předběžná opatření

Mezery u krytů (červená značka) musí být přizpůsobeny šířce role s fólií, aby byla zajištěna správná poloha fólie vzhledem k nádobě.



Aplikace fólie

POZNÁMKA: Při aplikování fólie dbejte na to, aby strana, která má být svařována, směřovala dolů.

DŮLEŽITÉ:

- Fólii nevkládejte tak, aby směřovala k topné desce s vrstvou určenou pro svařování! Fólie se může nalepit na topnou desku a znečistit její povrch!
- Používejte pouze role, ve kterých je navíjení fólie provedeno svařitelnou vrstvou uvnitř této role.

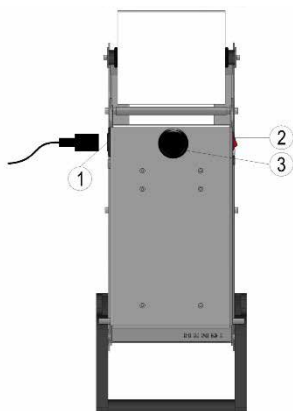
Přípevnění role s fólií:

- Vytáhněte podpěru role ze slotu 1.
- Umístěte roli s fólií 2 na podpěru role 1 v zadní části zařízení.
- Zasuňte podpěru s válečkem zpět do slotu.
- Ručně odмотejte začátek fólie 3 a vložte fólii pod držák 4.

Zapínání

Postup startování zatavovací balíčky:

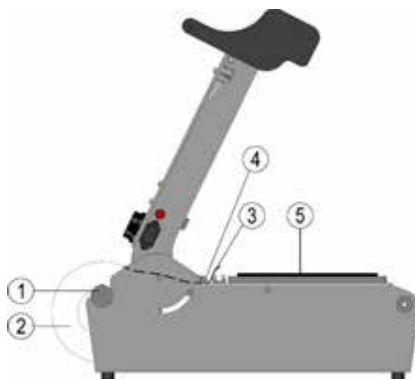
- Zkontrolujte, zda je zařízení umístěno na stabilním místě.
- Připojte napájecí kabel do zásuvky 1 na přístroji a poté do síťové zásuvky ~ 230 V vybavené účinným obvodem ochranné instalace (uzemněný kolík).
- Zapněte spotřebič stisknutím hlavního vypínače 2.



Nastavení teploty

Teplota je regulována knoflíkem s vytištěnou teplotní stupnicí. Možné nastavení teploty v rozmezí od 50 do 210°C.

- Nasadíte fólii na povrch rámu 5.



Zapnutí spotřebiče je indikováno rozsvícením spí-
nače.

DŮLEŽITÉ:

Před použitím je nutné provést přede-
hřátí. (6 až 10 minut).

Díky použití programovatelného regulátoru teploty bude teplota topné desky po ohřevu automaticky udržována na nastavené úrovni, což zajistí stabilní podmínky procesu svařování.

Zatavovací balíčka je vybavena zabudovaným bezpečnostním systémem pro řezání fólie. Konstrukce zatavovací balíčky chrání obsluhu před popáleninami nebo před pořezáním.

- Pomocí regulátoru teploty svařování nastavte teplotu topné desky.

Jakmile se topná deska zahřeje na nastavenou teplotu, světlo na straně krytu zhasne.

Proces svařování

Pokud jste obeznáni s bezpečnostními požadavky týkajícími se používání, zahajte proces svařování podle následujícího popisu. Postup procesu svařování:

1. Vložte naplněnou krabičku do otevíracího rámu.
2. Přetáhněte fólii přes krabičku tak, aby tato

krabička byla zcela zakryta.

3. Uchopte rukojeť krytu a zavřete tento kryt
4. Počkejte 1-3 sekundy. Fólie se přivaří podél okrajů krabičky.
5. Po ukončení procesu svařování otevřete kryt a vyjměte uzavřenou krabičku.

Čištění a udržba

Čištění

Po vychladnutí spotřebiče odstraňte zbytky zabalených produktů měkkým kartáčem.

V případě potřeby opláchněte nečistoty měkkou houbou, lehce navlhčenou vodou a saponátem. Ne-

používejte výrobky, které nejsou určeny pro tento typ anti-adhézního nátěru (viz produktový list čističe). Když je stroj vychladlý, odstraňte z varné desky veškeré nečistoty měkkou houbou.

Oprava

V případě poruchy okamžitě přestaňte zařízení používat a odpojte je od zdroje napájení.

Zkontrolujte odpovědi na často kladené otázky v

kapitole „FAQ“ a podívejte se na popis možných řešení v kapitole „Řešení problémů“.

Pokud problém přetrvává, obraťte se na prodejce.

Náhradní díly

Pokud potřebujete během provozu přístup k náhradním dílům, kontaktujte svého distributora.

CZ

FAQ - Často kladené otázky

a. Mohu vyměnit matici za jiný typ nádoby?

Ano. Výměna matrice je velmi snadná. Odeberte stávající matici a vložte novou.

Pozor! Dávejte pozor, abyste se nespálili na povrchu horké topné desky.

b. Mohu použít stejnou matici pro různé tvary nádob?

Ano, je to však možné pouze tehdy, když má nádoba jednu komoru a délka a šířka různých nádob jsou přesně stejné. Pokud v této oblasti existují rozdělené části, nebudou tyto části svařeny.

c. Kde si mohu objednat novou matici?

Kontaktujte svého distributora.

d. Mohu si objednat nádoby na zakázku?

Ano, ale objednané množství musí být velmi velké. Náklady na výrobu matrice a rámu pro atypickou nádobu musí být ekonomicky odůvodněné.

e. Je možné použít nádoby s větší kapacitou?

Ano, kontaktujte svého distributora.



Řešení problémů

Problém	Příčina	Řešení
Stroj neutěsní fólii k okraji nádoby nebo je těsnění příliš slabé	Role fólie u víka není správně umístěna	Obraťte roli. Fólie musí být umístěna přední stranou k nádobě
	Role s fólií není přizpůsobena materiálu, ze kterého je nádoba vyrobena.	Vyměňte roli těsnící fólie nebo nádobu.
	Příliš nízká teplota	Zvyšte teplotu
	Příliš krátká doba svařování	Nechejte kryt delší dobu zavřený.
	Matrice je obrácená (se silikonovými pruhy lícem dolů)	Invertujte matici.
	Nedostatek silikonových proužků na matici	Vyplňte mezery a vložte nové silikonové proužky
Přístroj nelze nastartovat	V tlakovém potrubí silikonového pásu je mezera	Upravte polohu proužku
	Napájecí kabel není připojen k napájecímu zdroji nebo není přístroj zapnutý	Připojte zařízení k napájecímu zdroji a zapněte je
	Spálená pojistka	Kontaktujte servis
Těsnící fólie není odříznuta	Nůž chybí nebo je poškozen	Kontaktujte servisní středisko a zajistěte výměnu nože.

CZ

Technická data

Číslo produktu	976722
Rozměry (zatavovací balička)	637x258x(H)247 mm
Rozměry (role)	Ø160 x (max) 200 mm
Rozměry (krabička)	195x250x(H)10 mm
Účinnost	8-10 cyklů/min
Max. výkon	700 W
Napětí	AC ~230V 50Hz
Pojistka	5x20 zpožděná 3,15 A
Kontroly	Zapnutí světla + Kontrolka topné desky
Technologie svařování	Topná deska s nepřilnavým povrchem s ručně nastavitelnou teplotou
Vlastnosti	<ul style="list-style-type: none">- konstrukce z nerezové oceli, rychlá výměna matrice u nádob,- bezpečný a stabilní systém ovládání teploty,- možnost použití matric přizpůsobených individuálním potřebám uživatele,- příčné řezání fólie
Čistá hmotnost	10 kg



Záruka

Jakákoli závada ovlivňující funkčnost spotřebiče, která se projeví do jednoho roku po zakoupení, bude opravena bezplatnou opravou nebo výměnou za předpokladu, že spotřebič byl použit a udržován v souladu s pokyny a nebyl žádným způsobem zneužíván nebo zneužit. Vaše zákonná práva nejsou dotčena. Pokud je spotřebič nárokován v záruce,

uvedte, kde a kdy byl zakoupen, a přiložte doklad o koupi (např. potvrzení).

V souladu s naší politikou neustálého vývoje produktů si vyhrazujeme právo bez předchozího upozornění měnit specifikace produktu, balení a dokumentace.

Vyřazení a životní prostředí

Při vyřazování spotřebiče z provozu nesmí být výrobek likvidován s jiným domovním odpadem. Místo toho je vaší odpovědností nakládat s odpadním zařízením tak, že je předáte určenému sběrnému místu. Nedodržení tohoto pravidla může být potrestáno v souladu s platnými předpisy o nakládání s odpady. Samostatný sběr a recyklace vašeho odpadního zařízení v době likvidace pomůže šetřit přírodní zdroje a zajistit jejich recyklaci způsobem,


který chrání lidské zdraví a životní prostředí.

Pro více informací o tom, kde můžete odložit svůj odpad k recyklaci, kontaktujte místní společnost pro sběr odpadu. Výrobci a dovozci nepřebírají odpovědnost za recyklaci, zpracování a ekologickou likvidaci, a to buď přímo, nebo prostřednictvím veřejného systému.





Köszönjük, hogy megvásárolta ezt a Hendi készüléket. Olvassa el figyelmesen ezt a kézikönyvet, különös figyelmet fordítva az alábbi biztonsági előírásokra, mielőtt először telepítené és használná ezt a készüléket.

Biztonsági előírások

- Ezt az eszközt csak kereskedelmi célra használhatják.
- A készüléket csak arra a célra használja, amelyre a jelen kézikönyvben leírtak szerint tervezték.
- A gyártó nem vállal felelősséget a helytelen működés és a helytelen használat által okozott károkért.
- Tartsa távol a készüléket és az elektromos csatlakozót a víztől és más folyadékoktól. Abban az esetben, ha a készülék vízbe esik, azonnal távolítsa el a tápcsatlakozót az aljzatból. Ne használja a készüléket, amíg azt tanúsított technikus nem ellenőrizte. Az utasítások betartásának elmulasztása életveszélyes kockázatokat okoz.
- Soha ne próbálja meg kinyitni a készülék házát.
- Ne helyezzen tárgyakat a készülék házába.
- Ne érintse meg a dugót nedves vagy nedves kézzel.
-  **ÁRAMÜTÉS VESZÉLYE!** Ne próbálja meg önállóan megjavítani a készüléket, a javításokat csak szakképzett személyzet végezheti.
- **Soha ne használjon sérült készüléket!** Ha sérült, húzza ki a készüléket az aljzatból, és lépjen kapcsolatba a kiskereskedővel.
- **FIGYELMEZTETÉS!** Ne merítse a készülék elektromos részeit vízbe vagy más folyadékba.
- Soha ne tartsa a készüléket folyó víz alatt.
- Rendszeresen ellenőrizze a hálózati csatlakozót és a kábelt, hogy nincs-e sérülés. Sérülés esetén azt szervizügynöknek vagy hasonló képesítéssel rendelkező személynek kell helyettesítenie a veszély vagy sérülés elkerülése érdekében.
- Győződjön meg róla, hogy a kábel nem érintkezik éles vagy forró tárgyakkal, és tartsa távol a nyílt tűztől. Soha ne húzza ki a tápkábelt a csatlakozóaljzatból, hanem mindig húzza ki a dugót.
- Győződjön meg arról, hogy a tápkábel és/vagy a hosszabbító kábel nem okoz kioldási veszélyt.
- Használat közben ne hagyja felügyelet nélkül a készüléket.
- **FIGYELMEZTETÉS!** Mindaddig, amíg a dugó az aljzatba van csatlakoztatva, a készülék az áramforráshoz csatlakozik.
- Kapcsolja ki a készüléket, mielőtt kihúzza az aljzatból.
- Csatlakoztassa a tápcsatlakozót egy könnyen hozzáférhető elektromos aljzathoz, hogy vészhelyzet esetén a készülék azonnal kihúzható legyen.
- Soha ne hordja a készüléket a kábellel.
- Ne használjon olyan kiegészítő eszközöket, amelyeket nem a készülékkel együtt szállítanak.
- A készüléket csak a készülék címkéjén feltüntetett feszültséggel és frekvenciával kell csatlakoztatni a konnektorhoz.

- Soha ne használjon a gyártó által ajánlottakon kívül egyéb tartozékokat. Ennek elmulasztása biztonsági kockázatot jelenthet a felhasználó számára, és károsíthatja a készüléket. Csak eredeti alkatrészeket és tartozékokat használjon.
- Ezt a készüléket nem szabad korlátozott fizikai, érzékszervi vagy szellemi képességekkel rendelkező személyek, illetve tapasztalat és tudás hiányában működtetni.
- Ezt a készüléket semmilyen körülmények között nem szabad gyermekek használni.
- Tartsa a készüléket és a tápkábelt gyermekektől elzárva.
- **FIGYELEM:** A tisztítás, karbantartás vagy tárolás előtt mindig kapcsolja ki a készüléket, és húzza ki a konnektorból.

Különleges biztonsági előírások

- Ez a készülék közvetlen fogyasztásra szánt élelmiszerek légmentes csomagolására szolgál polipropilén (PP) tálcákon vagy környezetbarát anyagokból készült.
- A készüléket kizárólag a jelen kézikönyvben leírtak szerint használja.
-  **ÉGÉSI SÉRÜLÉS VESZÉLYE! SOHA NE ÉRINTSE MEG A TÖMÍTŐLEMEZT!** Használat után is nagyon forró. Égésveszély áll fenn. Várjon, amíg a készülék lehűl. Használat közben ne érintse meg a készüléket.
- A készüléket meg kell tisztítani, és az ételmaradványokat rendszeresen el kell távolítani. Ha a készüléket nem tartják tisztán, az káros hatással lehet a készülék élettartamára, és használat közben veszélyes állapothoz vezethet.
- Ne helyezze a készüléket fűtőtestre (benzin, elektromos, szén tűzhely stb.) Tartsa távol a készüléket forró felületektől és nyílt lángtól. A készüléket mindig vízszintes, stabil, tiszta, hőálló és száraz felületen működtesse.
- Ne használja a készüléket gyúlékony tárgyak csomagolására.
-  **A KEZEK ÖSSZEJÚZÁSÁNAK VESZÉLYE!** Használat/zárás közben ne tegye a kezét a készülék fedele alá.

Tervezett felhasználás

- Ez az eszköz professzionális használatra készült.
- Ez a készülék közvetlen fogyasztásra, súly szerint meglazult értékesítésre, polipropilén (PP) tálcákon vagy környezetbarát anyagokból készült élelmiszerek légmentes csomagolására szolgál. A készülék bármilyen más célra történő használata

károsíthatja azt vagy személyi sérülést okozhat.

- A készülék bármilyen más célra történő használata visszaélésnek minősül. A készülék nem rendeltetésszerű használatáért kizárólag a felhasználó a felelős.

Földelő telepítés

Ez a készülék **I. védelmi osztályba** tartozik, és földelőtalajhoz kell csatlakoztatni. A földelés csökkenti az áramütés kockázatát azáltal, hogy egy menekülési vezetékkel biztosít az elektromos áramhoz. Ez

a készülék tápkábellel van ellátva, amely földelt vezetékkel és földelt dugót tartalmaz. A dugót egy megfelelően felszerelt és földelt aljzatba kell dugni.



Általános információk

Ez a készülék a használt csomagolás méreteihez van igazítva, a maximális mérete 227x178 mm, a kerek csomagolása pedig legfeljebb 170 mm, és keresztirányú fóliavágással rendelkező modellekhez is.

A polipropilénbe (PP) vagy ökológiai anyagból készült tálcákba történő csomagolás módja lehetővé teszi az ilyen termékek gyors és biztonságos csomagolását, mint például:

- hús,
- hal,
- törékeny,
- készételek és félkész ételek,
- zöldségsaláták,
- tenger gyümölcsei,
- savanyított zöldségek, olíva stb.

A készüléket széles körben használják kereskedelmi, gasztronómiai és vendéglátóipari létesítményekben.

A készülék kisebb ipari cikkek, például csavarok, csapok, anyák, alátétek, kis fém- és műanyag alkatrészek, elektronikai alkatrészek és alkatrészek, pótalkatrészek és sok más típusú cikk csomagolására is használható.

A csomagolást lezárt konténer formájában vonzó megjelenés, magas esztétikai színvonal és a csomagolt termék jó láthatósága jellemzi. A csomagolás tartós és szoros lezárása megvédi a csomagolást a szállítás során történő nyitástól, optimális védelmet nyújtva a csomagolt terméknek a csomagolásból való kiömlés, szétszóródás vagy kiesés, illetve a sérülés ellen. A csomagolóanyagok lehetővé teszik, hogy a csomagolás érintkezésbe kerüljön az ehettől zsírokkal, és a fokozott hőállóságú csomagolás esetén a csomagolásból való kivétel nélkül felmelegítheti a csomagolás tartalmát mikrohullámú sütőben. Ezeknek az anyagoknak a nagy rugalmassága biztosítja, hogy a csomagolás a tárolási hőmérsékletek széles tartományában ellenáll a repedéseknek.

Munkakörnyezet

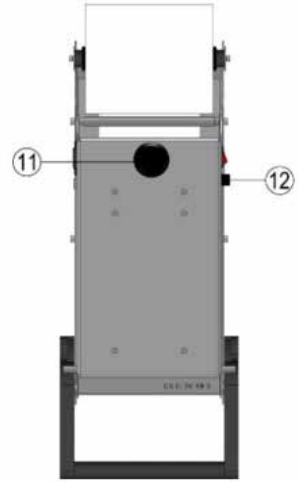
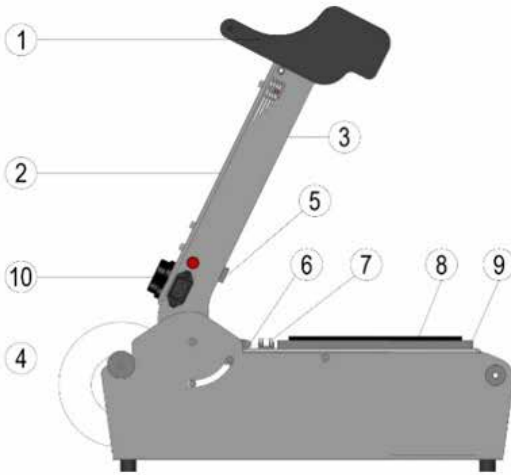
Ne telepítse a készüléket:

- Olyan felületen, amely nem teszi lehetővé a készülék stabil beállítását.
- Forgó, vibráló gépek közelében.
- Poros helyeken.
- Gyúlékony és vegyileg agresszív gőzöket tartalmazó helyeken.

Ez a készülék kereskedelmi létesítményekben történő használatra szolgál, és megfelel az elektromágneses interferencia kibocsátására vonatkozó A osztály követelményeinek az EN 61000-6-3:2001 szabvány szerint.

Lakókörnyezetben használt termék elektromágneses interferenciát okozhat. Ebben az esetben a felhasználónak további védelmet kell biztosítania az interferencia ellen.

Általános nézet



- 1. Fedje le a fogantyút, nyomástartó rendszert**
– A készülék kényelmes nyitása és zárása, valamint a tálca hegesztéséhez szükséges megfelelő nyomás biztosítása. Az alkalmazott rendszer nem igényel a szükségesnél nagyobb erőt a használathoz.
- 2. Fedél** – Védje a fűtőlapot.
- 3. Fűtőlap.**
- 4. Tekerics fóliával** – A szita nincs mellékelve a készülékhez.
- 5. Szitavágó kés** - Biztosítja, hogy a szita a fedél teljes lecsukása után is biztonságosan vágható legyen.
- 6. Szitatartó** -A szita szélét a vágás után tartja.
- 7. Vágógép** – Biztosítja, hogy a fólia a fedél teljes lecsukása után biztonságosan le legyen

vágva.

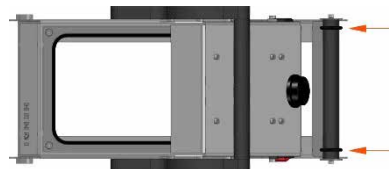
- 8. A tartály szilikontömítése** – A tartály szélét a fóliához nyomja a lezárási pontnál.
- 9. Konténer mátrixa** – Biztosítja a terméktálca megtámasztását (A mátrix felülnézete a tartály alakjához igazodik).
- 10. Főkapcsoló (gomb)** - Lehetővé teszi a készülék be-/kikapcsolását a gomb megnyomásával (a bekapcsolási állapotot a gomb háttérvilágítása jelzi).
- 11. Hőmérséklet-szabályozó** - Lehetővé teszi a hőmérséklet beállítását a fólia és a tartály típusa szerint. A beállított módon állandó szinten tartja a fűtőlemez hőmérsékletét.
- 12. Biztosíték.**

HU

Felhasználói kézikönyv

Előzetesek

A persely távolságát (piros jelölés) a tekerics szélességéhez kell igazítani fóliával, biztosítva a fólia megfelelő helyzetét a tartályhoz képest.



Szita alkalmazása

MEGJEGYZÉS: A fólia felhelyezésekor ügyeljen arra, hogy a hegesztendő oldal lefelé nézzen.

FONTOS:

- Ne helyezze a fóliát úgy, hogy az a lezárásra szánt réteggel a fűtőlemez felé nézzen! A fólia ráragadhat a fűtőlapra, és beszennyezheti a felületét!
- Csak olyan tekerceket használjon, amelyekben a film tekerccselése hegeszthető réteggel van feltekerve a tekercs belsejében.

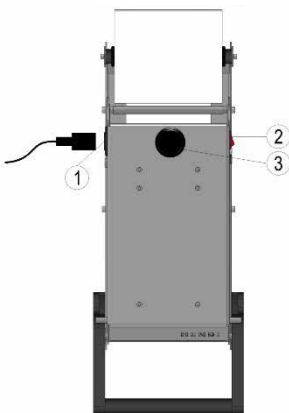
A fóliatekercs rögzítése:

- Húzza ki a tekercestartót az 1. nyílásból.
- Helyezze a tekercest a 2-es fóliával a tekercestartóra 1 a készülék hátulján.
- Csúsztassa vissza a támasztékot a görgővel együtt a nyílásba.
- Kézzel tekerje le a 3. szita elejét, és helyezze a 4.

A készülék bekapcsolása

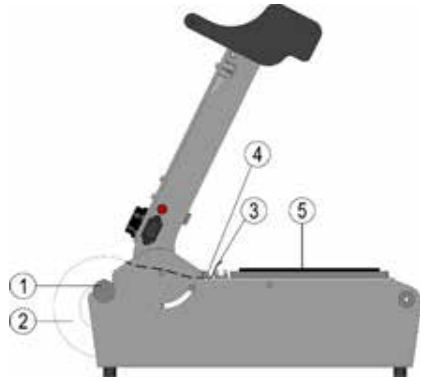
A készülék bekapcsolásához kövesse az alábbi lépéseket:

- Győződjön meg arról, hogy a készülék stabil helyen van elhelyezve.
- Csatlakoztassa a tápkábelt a készülék 1. csatlakozójához, majd a ~ 230V-os hálózati aljzathoz, amely hatékony védelmi áramkörrel (földelt érintkezővel) rendelkezik.
- Kapcsolja be a készüléket a 2. főkapcsoló megnyomásával.



szitatartó alá.

- Helyezze a fóliát a keret felületére 5.



A készülék bekapcsolását a kapcsoló háttérvilágítása jelzi.

FONTOS:

Használat előtt előmelegítés szükséges. (6-10 perc).

A programozható hőmérséklet-szabályozónak köszönhetően a fűtőlemez hőmérséklete a melegítés után automatikusan a beállított szinten marad, ami biztosítja a tömítési folyamat stabil feltételeit.

A készülék beépített biztonsági szitavágó rendszerrel van felszerelve. A tömítőanyag konstrukciója védi a kezelőt az égési sérülésektől és vágásoktól.

- Állítsa be a fűtőlapp hőmérsékletét a tömítési hőmérséklet-szabályozóval.

Hőmérséklet-szabályozás

A hőmérsékletet egy benyomott hőmérsékleti skálával ellátott gomb szabályozza. Lehetséges hőmérséklet-beállítás az 50 és 210 °C közötti tartományban.

Amint a fűtőlap felmelegszik a beállított hőmérsékletre, a ház oldalán lévő fény kialszik.

Tömítési folyamat

Győződjön meg arról, hogy ismeri a biztonsági követelményeket. Indítsa el a tömítési folyamatot a következő leírásnak megfelelően:

1. Helyezze a feltöltött tartályt a keret furatába.
2. Húzza a fóliát a tartályra úgy, hogy teljesen lefedje a fóliával.

3. Fogja meg a burkolat fogantyúját, és zárja le a burkolatot
4. Várjon 1-3 másodpercet. A tálca szélei mentén hegesztett szita.
5. A lezárási folyamat befejezése után nyissa fel a fedelet, és vegye ki a zárt tartályt.

Tisztítás és karbantartás

Tisztítás

Miután a készülék lehűlt, puha kefével távolítsa el a csomagolt termékek maradványait. Szükség esetén mossa le a szennyeződést egy puha szivaccsal, enyhén vízzel és tisztítószerrel megnedvesítve. Ne használjon olyan termékeket, amelyek nem ehhez

a típusú tapadásmentes bevonathoz készültek (lásd a tisztítószer terméklapját). Ha a készülék lehűlt, puha szivaccsal távolítsa el minden szennyeződést a főzőlapról.

Javítás

Meghibásodás esetén azonnal hagyja abba a készülék használatát, és válassza le a készüléket az áramforrásról.

Ellenőrizze a gyakran ismételt kérdésekre adott

válaszokat a „GYIK” fejezetben, és olvassa el a lehetséges megoldások leírását a „Hibaelhárítás” című fejezetben. Ha a probléma továbbra is fennáll, forduljon a forgalmazóhoz.

Pótalkatrészek

Ha az üzemeltetés során pótalkatrészekhez kell hozzáférnie, forduljon a forgalmazóhoz.

GYIK - Gyakran Ismételt Kérdések

a. Kicserélhetem a mátrixot, hogy más típusú tartályt használjak?

Igen. A mátrix cseréje egyszerű. Távolítsa el a meglévő mátrixot, és helyezzen be egy újat.

c. Hol rendelhetek új mátrixot?

Lépjen kapcsolatba a forgalmazóval.

FIGYELJEN! Ügyeljen arra, hogy ne égjen rá a fűtőlap felületére.

d. Rendelhetek egyedi tervezésű konténereket?

Igen, de a megrendelt mennyiségnek nagyon nagy-nak kell lennie. A mátrix és az atípusos tartály keretének elkészítési költségét gazdaságilag indokoltnak kell tekinteni.

b. Használhatom ugyanazt a mátrixot a különböző formájú konténerekhez?

Igen, ez azonban csak akkor lehetséges, ha a konténer egy rekesszel rendelkezik, és a különböző konténerek hossza és szélessége pontosan megegyezik. Ha vannak részlegek ezen a területen, akkor azokat nem hegesztik.

e. Lehet-e nagyobb kapacitású tartályokat használni?

Igen, kérjük, lépjen kapcsolatba a forgalmazóval.



Hibaelhárítás

Probléma	Lehetséges ok	Megoldás
A készülék nem zárja a fóliát a tartály széléhez, vagy a tömítés túl gyenge	A fedél fóliatekerce nincs megfelelően elhelyezve.	Fordítsa meg a tekercest. A szitának a tartály felé kell néznie.
	A fóliatekerce nem egyezik azzal az anyaggal, amelyből a tartály készült.	Cserélje ki a zárófólia tekercest vagy tartályt.
	Túl alacsony hőmérséklet	Növelje a hőmérsékletet
	Túl rövid hegesztési idő	Hagyja a fedelet hosszabb ideig zárva.
	A mátrix megfordításra kerül (a szilikoncsíkok lefelé néznek)	A mátrix megfordítása.
	A mátrix szilikoncsíkjainak hiánya	Töltse ki a hézagokat, és helyezzen be új szilikoncsíkokat
A készülék nem indul el	A szilikoncsík nyomóvezetékében rés van.	Állítsa be a csík helyzetét.
	A tápkábel nincs csatlakoztatva a tápegységhez, vagy a gép nincs bekapcsolva.	Csatlakoztassa a készüléket a tápegységhez, és kapcsolja be.
A zárófólia nincs levágva.	Kiégett a biztosíték.	Forduljon hivatalos szervizhez.
	A kés hiányzik vagy sérült.	Késsel történő csere esetén forduljon a hivatalos szervizhez.

Műszaki adatok

CIKKSZÁM	976722
Méretek (készülék)	637x258x(H)247 mm
Méretek (görgetés)	Ø160 x (max) 200 mm
Tálcaméretek	195x250x(H)10 mm
Hatékonyág	8-10 ciklus/perc
Max. Teljesítmény	700 W
Feszültség	AC ~230V 50Hz
Biztosíték	5x20 késleltetett 3,15 A
Jelzők	Bekapcsolás jelzőfény + Fűtőlap jelzőfény
Tömítési technológia	Fűtőlap tapadásmentes bevonattal, kézzel állítható hőmérséklettel
Tulajdonságok	- Rozsdamentes acél szerkezet, gyors mátrixcsere tartályokhoz, - biztonságos és stabil hőmérséklet-szabályozó rendszer, - a felhasználó egyéni igényeihez igazított mátrixok használatának lehetősége, - a fólia keresztirányú vágása
Nettó tömeg	10 kg

Garancia

A készülék működését befolyásoló minden olyan hibát, amely a vásárlást követő egy éven belül nyilvánvalóvá válik, ingyenes javítással vagy cserével kell javítani, feltéve, hogy a készüléket az utasításoknak megfelelően használták és karbantartották, és semmilyen módon nem bántalmazták vagy nem használták vissza. Az Ön törvényes jogait nem érinti. Ha a készüléket jótállás alapján igénylik,

adja meg, hol és mikor vásárolta meg, és tüntesse fel a vásárlás igazolását (pl. átvételi elismervényt).

Folyamatos termékfejlesztési politikánkkal összhangban fenntartjuk a jogot arra, hogy előzetes értesítés nélkül megváltoztassuk a terméket, a csomagolást és a dokumentációt.

Visszadobás és környezet

A készülék leszerelésekor a terméket nem szabad más háztartási hulladékkal együtt ártalmatlanítani. Ehelyett az Ön felelőssége, hogy a hulladékkezelő berendezéseit átadja egy kijelölt gyűjtőhelyre. E szabály betartásának elmulasztása a hulladékártalmatlanításra vonatkozó vonatkozó rendelkezéseknek megfelelően büntetendő. A hulladékkezelő berendezések elkülönített gyűjtése és újrahasznosítása az ártalmatlanítás idején segít megőrizni a természeti erőforrásokat, és biztosítja, hogy az

újrahasznosítás olyan módon történjen, amely védi az emberi egészséget és a környezetet.

Hatöbbet szeretne tudni arról, hogy hol dobhatja ki hulladékát újrahasznosításra, kérjük, forduljon helyi hulladékgyűjtő cégéhez. A gyártók és az importőrök nem vállalnak felelősséget az újrafeldolgozásért, a kezelésért és az ökológiai ártalmatlanításért sem közvetlenül, sem állami rendszeren keresztül.





Täname, et ostsite selle Hendi seade. Lugege seda juhendit hoolikalt, pöörates erilist tähelepanu allpool toodud ohutuseeskirjadele, enne selle seadme paigaldamist ja kasutamist esimest korda.

Ohutuseeskirjad

- See seade on ette nähtud ainult kaubanduslikuks kasutamiseks.
- Kasutage seadet ainult selleks ettenähtud otstarbel, mis on ette nähtud käesolevas juhendis kirjeldatud viisil.
- Tootja ei vastuta vigastuste eest, mis on põhjustatud ebaõigest tööst ja ebaõigest kasutamisest.
- Hoidke seadet ja elektripistikut veest ja muudest vedelikest eemal. Kui seade langeb vette, eemaldage kohe pistik pistikupesast. Ärge kasutage seadet enne, kui sertifitseeritud tehnik on seda kontrollinud. Nende juhiste eiramine põhjustab eluohtlikke riske.
- Ärge kunagi püüdke seadme korpust ise avada.
- Ärge sisestage esemeid seadme korpusesse.
- Ärge puudutage pistikut märgade või niiskete kätega.
- ⚡ **ELEKTRILÖÖGI OHT!** Ärge püüdke seadet ise parandada, remonti teostavad ainult kvalifitseeritud personal.
- **Ärge kunagi kasutage kahjustatud seadet!** Kui see on kahjustatud, ühendage seade pistikupesast lahti ja võtke ühendust jaemüüjaga.
- **HOIATUS!** Ärge pange seadme elektrilisi osi vette ega muid vedelikke.
- Ärge kunagi hoidke seadet jooksva vee all.
- Kontrollige regulaarselt toitepistikut ja -juhet mis tahes kahjustuste eest. Kui see on kahjustatud, tuleb see asendada teenindusagendi või sarnase kvalifikatsiooniga isikuga, et vältida ohtu või vigastusi.
- Veenduge, et juhe ei puutuks kokku teravate või kuumade esemetega ja hoia seda avatud tulest eemal. Ärge kunagi tõmmake toitejuhet, et see pistikupesast lahti ühendada, tõmmake alati selle asemel pistik.
- Veenduge, et toitejuhe ja/või pikendusjuhe ei põhjustaks sõiduohutu.
- Ärge jätke seadet kasutamise ajal järelevalveta.
- **HOIATUS!** Niikaua kui pistik on pesas, on seade ühendatud toiteallikaga.
- Lülitage seade välja enne pistikupesast lahti.
- Ühendage toitepistik kergesti ligipääsetava pistikupesaga, nii et hädaolukorras saab seadet kohe lahti ühendada.
- Ärge kunagi kandke seadet juhtmega.
- Ärge kasutage lisaseadmeid, mida koos seadmega ei tarnita.
- Ühendage seade ainult pistikupesaga seadme etiketil mainitud pinge ja sagedusega.
- Ärge kunagi kasutage muid tarvikuid kui tootja poolt soovitatud. Selle tegemata jätmine võib ohustada kasutajat ja võib seadet kahjustada. Kasutage ainult originaalseid osi ja tarvikuid.
- Seda seadet ei tohi kasutada isikud, kellel on vähenenud füüsililine, sensoorne või vaimne võimekus, või isikud, kellel puuduvad kogemused ja teadmised.

- Seda seadet ei tohi mingil juhul kasutada lapsed.
- Hoidke seade ja toitejuhe lastele kättesaamatus kohas.
- **HOIATUS:** Lülitage seade alati välja ja eemaldage pistikupesast enne puhastamist, hooldamist või ladustamist.

Ohutuse erieeskirjad

- See seade on mõeldud otsetarbimiseks mõeldud toiduainete õhukindlaks pakendamiseks, polüpropüleenist (PP) alustele või keskkonnasõbralikest materjalidest toiduainetele.
- Kasutage seadet ainult käesolevas juhendis kirjeldatud viisil.
-  **PÕLETUSOHT! ÄRGE KUNAGI PUUDUTAGE TIHENDIPLAATI!** See on väga kuum ka pärast kasutamist. Põletusohut! Oodake, kuni seade on maha jahtunud. Samuti ärge puudutage seadet kasutamise ajal.
- Seade tuleb puhastada ja toidujäägid tuleb regulaarselt eemaldada. Kui seadet ei hooldata puhtas seisukorras, võib see kahjustada seadme kasutusiga ja põhjustada kasutamisel ohtlikke olukordi.
- Ärge asetage seadet kuumutusobjektile (benssiini, elektripliidi, söeahju vms) Hoidke seade eemal kuumadest pindadest ja lahtisest leegist. Kasutage seadet alati tasasel, stabiilsel, puhtal, kuumakindlal ja kuival pinnal.
- Ärge kasutage seadet tuleohtlike esemete pakkimiseks.
-  **KÄTE MULJUMISE OHT!** Kasutamise/sulgemise ajal ärge pange oma käsi seadme katte alla.

EE

Kavandatud kasutus

- See seade on mõeldud professionaalseks kasutamiseks.
- See seade on mõeldud otsetarbimiseks mõeldud, kaalu järgi lahti müüdavate või keskkonnasõbralikest materjalidest toiduainete õhukindlaks pakendamiseks polüpropüleenist (PP)

alusel. Seadme kasutamine muul eesmärgil võib seda kahjustada või põhjustada kehavigastusi.

- Seadme kasutamine muul eesmärgil loetakse väärkasutuseks. Seadme ebaõige kasutamise eest vastutab ainuisikuliselt kasutaja.

Maanduse paigaldamine

Kõnealune seade on klassifitseeritud I **kaitseklassi** ja peab olema ühendatud kaitsepinnasega. Maandus vähendab elektrilöögi ohtu, pakkudes elektrivoolu jaoks põgenemisjuhtme. See seade

on varustatud toitejuhe, millel on maandusjuhe ja maandatud pistik. Pistik peab olema ühendatud korralikult paigaldatud ja maandatud pistikupesaga.

Üldine teave

See seade on kohandatud vastavalt kasutatud pakendi mõõtmetele, mille maksimaalsed mõõtmed on 227 x 178 mm ja ümarad pakendid, mille maksimaalne läbimõõt on 170 mm, ja ka mudelitele, millel on ristlõikeline foolium.

kiiret ja ohutut järgmiste toodete pakendamist:

- liha,
- kala,
- õrnatoimeline pesu,
- valmistoidud ja poolküpsed eined,
- köögiviljasalatid,
- mereandide,
- marineeritud köögiviljad, oliivid jne.

Meetod polüpropüleenist (PP) või keskkonnasõbralike materjalide aluste pakendamiseks võimaldab



Seadet kasutatakse laialdaselt kaubandus-, gast-ronoomia- ja toitlustusasutustes.

Seadet saab kasutada ka väikeste tööstusobjek- tide, nagu kruvid, tihvtid, mutrid, seibid, väikesed metall- ja plastosad, elektroonikaosad ja -kom- ponendid, varuosad ja paljud muud liiki esemed, pakendamiseks.

Valmispakendit suletud konteineri kujul iseloo- mustab atraktiivne välimus, kõrge esteetika ja pakitud toote hea nähtavus. Pakendi vastupidav ja tihe sulgemine kaitseb selle avanemise eest trans-

pordi ajal, tagades pakendis oleva toote optimaalse kaitse pakendist väljavalgumise, hajumise või väl- jakukkumise või kahjustuste eest. Pakkematerjalid võimaldavad pakendil kokku puutuda toidurasva- dega ning kui pakend on suurenenud tempera- tuuritaluvusega, saab selle sisu soojendada mik- rolaineahjus ilma pakendist välja võtmata. Nende materjalide suur paindlikkus tagab, et pakend ta- lub mõranemist väga laias säilitustemperatuuride vahemikus.

Töökeskkond

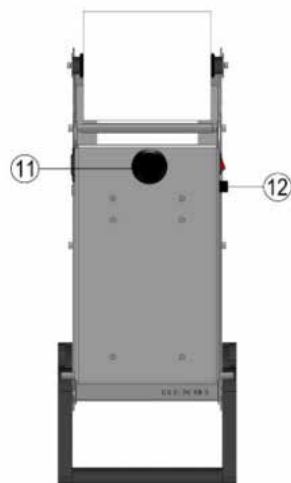
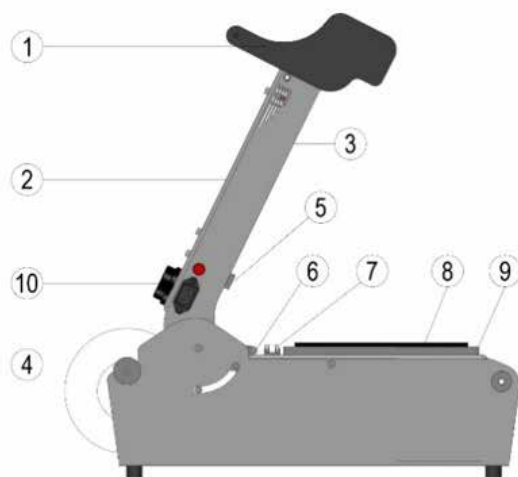
Ärge paigaldage seadet:

- Pind, mis ei võimalda seadme stabiilset seadistamist.
- Peaaegu pöörlevad vibreerivad masinad.
- Tolmustes kohtades.
- Tuleohtliku ja keemiliselt agressiivse auruga kohtadel.

See seade on ette nähtud kasutamiseks ärihoo- netes ja vastab standardi EN 61000-6-3:2001 ko- hastele elektromagnetiliste häiringute klassi A nõuetele.

Elamukeskkonnas kasutatav klasstoode võib põh- justada elektromagnetilisi häireid. Sellisel juhul peab kasutaja pakkuma lisakaitset häirete eest.

Üldvaade



1. **Katte käepide, survesüsteem** – võimaldab seadet mugavalt avada ja sulgeda ning aval- dada alust keevitades õiget survet. Rakenda- tud süsteem ei vaja suuremat kasutustuge- vust kui vaja.
2. **Kate** – kaitske kuumusplaati.
3. **Kütteplaat.**
4. **Fooliumist rullid** – foolium ei kuulu seadme juurde.
5. **Fooliumist löikenuga** – tagab fooliumi turvali- se lõikamise pärast katte täielikku sulgemist.
6. **Fooliumhoidik** – tagab fooliumi serva hoidmi- se pärast lõikamist.
7. **Lõikur** – tagab fooliumi hoidmise ja turvalise



lõikamise pärast katte täielikku sulgemist.

8. **Mahuti silikoontihend** – surub mahuti serva fooliumi sisse tihendamise punktis.
9. **Konteineri maatriks** – tagab tootealuse toe (maatriksi pealmine vaade on kohandatud mahuti kuju järgi).
10. **Toitelüliti (nupp)** – võimaldab seadme sisse/

välja lülitada, vajutades nuppu (siselülitamist näitab nupu taustavalgus).

11. **Temperatuuriregulaator** – võimaldab reguleerida temperatuuri vastavalt fooliumi ja mahutite tüübile. Hoiab kuumutusplaadi temperatuuri püsivana.
12. **Kaitske.**

Kasutusjuhend

Esiolgsed

Pukside vahet (punane märgistus) tuleb reguleerida rulli laiusele fooliumiga, tagades fooliumi õige asendi mahuti suhtes.

Fooli pealekandmine

MÄRKUS: Fooliumi paigaldamisel veenduge, et keevitav külg on suunatud alla.

TÄHTIS:

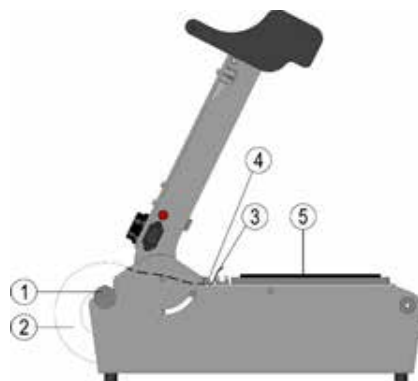
- Ärge asetage kilet nii, et see oleks suunatud plaadi poole ja selle peal on tihendamiseks mõeldud kiht! See võib fooliumi kuumutusplaadi külge kinni jääda ja selle pinda saastada!
- Kasutage ainult rulle, mille puhul kile mähis on keritud keevitava kihiga rulli sees.

Fooliumirulli kinnitamine:

- Tõmmake rulli tugi pesast 1.
- Asetage rullik fooliumiga 2 rullitoele 1 seadme tagaküljel.
- Libistage rullikuga tugi pesa tagasi.
- Keerake fooliumi 3 algus käsitsi lahti ja asetage

fooliumi hoidja 4 alla.

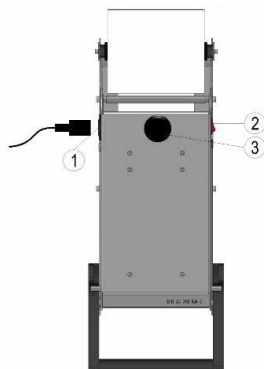
- Asetage foolium raami 5 pinnale.



Seadme sisselülitamine

Seadme sisselülitamiseks toimige järgmiselt:

- Veenduge, et seade on asetatud stabiilsesse kohta.
- Ühendage toitekaabel seadme 1. pesa ja seejärel ~ 230V toitepesa, mis on varustatud efektiivse kaitseseadmetikuga (maandatud tihvtiga).
- Lülitage seade sisse, vajutades toitelüliti 2.



EE



Seadme sisselülitamist näitab lüliti tagavalgus.

TÄHTIS:

Enne kasutamist tuleb eelsoojendada. (6 kuni 10 minutit).

Tänu programmeeritava temperatuuriregulaatori kasutamisele hoitakse kuumutusplaadi temperatuur pärast kuumutamist automaatselt määratud

Temperatuuri reguleerimine

Temperatuuri reguleeritakse kirjaga temperatuuriskaala nupuga. Võimalik temperatuur vahemikus

Tihendamisprotsess

Veenduge, et olete tutvunud kasutusohutusnõuetega. Alustage sulgemisprotsessi vastavalt järgmisele kirjeldusele:

1. Asetage täidetud anum raami auku.
2. Tõmmake foolium üle mahuti nii, et see oleks fooliumiga täielikult kaetud.

tasemel, mis tagab hermetiseerimisprotsessi stabiilsed tingimused.

Seade on varustatud sisseehitatud turvafooliumi lõikesüsteemiga. Sulguri ehitus kaitseb kasutajat põletuste ja sisselõigete eest.

- Määrake sulgemistemperatuuri juhtseadme abil kuumutusplaadi temperatuur.

50 kuni 210°C. Kui kuumutusplaat saavutab määratud temperatuuri, kustub korpuse küljel olev tuli.

3. Haarake katte käepidemest ja sulgege kate.
4. Oodake 1–3 sekundit. Keederal keevitatud plaadi servad.
5. Pärast sulgemisprotsessi lõpetamist avage kaas ja võtke suletud mahuti välja.

Puhastamine ja hooldus

Puhastamine

Kui seade on maha jahtunud, eemaldage pakendatud toodete jäägid pehme harjaga. Vajadusel peske mustust pehme käsnaga, mis on kergelt niisutatud vee ja pesuvahendiga. Ärge kasutage tooteid, mis

ei ole ette nähtud sellise mittenakkuva pinnaga (vt puhastusvahendi tootelehte). Kui masin on jahtunud, eemaldage pliidilt pehme käsnaga mustusejäägid.

Remont

Rikke korral lõpetage kohe seadme kasutamine ja ühendage see vooluvõrgust lahti. Vaadake vastuseid korduma kippuvatele küsimus-

tele peatükist „KKK” ja vaadake võimalikke lahendusi peatükist „Veaotsing”. Kui probleem püsib, võtke ühendust edasimüüjaga.

Varuosad

Kui vajate töö ajal juurdepääsu varuosadele, võtke ühendust edasimüüjaga.

KKK - Korduma kippuvad küsimused

a. Kas ma saan asendada maatriksi teist tüüpi mahuti kasutamiseks?

Jah. Maatriksi asendamine on lihtne. Eemaldage olemasolev maatriks ja sisestage uus.

TÄHELEPANU! Olge ettevaatlik, et te ei kõrbeks kuuma kuumutusplaadi pinnale.

b. Kas ma võin kasutada sama maatriksit erinevat kuju mahutite jaoks?

Jah, aga see on võimalik vaid siis, kui konteineril on üks sektsioon ning erinevate konteinerite pikkus ja laius on täpselt samad. Kui selles piirkonnas on mõni allüksus, siis neid ei keevitata.

c. Kust saan tellida uue maatriksi?

Võtke ühendust edasimüüjaga.

d. Kas ma saan tellida kohandatud disainikonteinereid?

Jah, kuid tellitud kogus peab olema väga suur. Maatriksi ja ebatüüpilise mahuti raami tegemise kulud peavad olema majanduslikult põhjendatud.

e. Kas on võimalik kasutada suurema mahutavusega mahuteid?

Jah, võtke ühendust edasimüüjaga.

Törkeotsing

Probleem	Võimalik põhjus	Lahendus
Seade ei sulge fooliumit anuma servani või on tihend liiga nõrk	Kaas ei ole õigesti paigutatud.	Pööra rull ümber. Foolium peab olema suunatud vastu konteinerit.
	Fooliumirull ei sobi materjaliga, millest mahuti valmistatakse.	Muutke tihenduskile rulli või mahutit.
	Liiga madal temperatuur	Temperatuuri suurendamine
	Liiga lühike keevitusae	Jätke kate kauem suletuks.
	Maatriks pööratakse ümber (silikoonribad on suunatud alla)	Maatriksi ümberpööramine.
Seade ei käivitu	Silikoonribade puudumine maatriksil	Täitke tühimikud ja sisestage uued silikoonribad
	Silikoonriba rõhuvoolikus on tühimik.	Reguleerige riba asendit.
Tihendusfoolium ei ole ära lõigatud.	Toitejuhe ei ole toiteallikaga ühendatud või seade ei ole sisse lülitatud.	Ühendage seade vooluvõrku ja lülitage sisse.
	Läbipõlenud kaitse.	Pöörduge volitatud teeninduse poole.
Tihendusfoolium ei ole ära lõigatud.	Tera puudub või on kahjustatud.	Võtke ühendust volitatud hooldusteenistusega nuga vahetamiseks.



Tehnilised andmed

Artikli nr	976722
Mõõtmed (seade)	637x258x(H)247 mm
Mõõtmed (Roll)	Ø160 x (max) 200 mm
Aluse mõõtmed	195x250x(H)10 mm
Efektiivsus	8–10 tsükli/min
Max Võimsus	700 W
Pinge	AC ~230V 50Hz
Kaitse	5 x 20 viivitusega 3,15 A
Indikaatorid	Sisselülitamine ja kütteplaadi indikaatorituli
Tihendustehnoloogia	Kuumutusplaat mittenakkuva pinna ja käsitsi reguleeritava temperatuuriga
Omadused	- Roostevabast terasest konstruktsioon, kiire maatriksi vahetus konteineritel, - ohutu ja stabiilne temperatuurijuhtimissüsteem, - kasutaja individuaalsetele vajadustele kohandatud maatriksite kasutamise võimalus; - Fooliumi põikisuunaline lõikamine
Netokaal	10 kg

Garantii

Seadme funktsionaalsust mõjutav defekt, mis ilmneb ühe aasta jooksul pärast ostu sooritamist, parandatakse tasuta remondi või asendamisega tingimusel, et seadet on kasutatud ja hooldatud vastavalt juhistele ning seda ei ole mingil viisil kurtarvitatud ega väärkasutatud. Teie seadusjärgseid õigusi ei mõjuta. Kui seadet taotletakse garantii

alusel, märkige, kus ja millal see osteti, ning lisage ostutõend (nt kvititung).

Kooskõlas meie pideva tootearenduse poliitika-ga jätame endale õiguse muuta toote, pakendi ja dokumentatsiooni spetsifikatsioone ilma ette teatamata.

Loobumine ja keskkond

Seadme kasutamise lõpetamisel ei tohi toodet koos teiste olmejäätmetega ära visata. Selle asemel on teie kohustus käsutada oma jäätmeseadmed, andes selle üle määratud kogumispunkti. Selle reegli järgimata jätmist võib karistada vastavalt kehtivatele jäätmete kõrvaldamist käsitlevatele eeskirjadele. Teie jäätmeseadmete eraldi kogumine ja ringlussevõtt kõrvaldamise ajal aitab säilitada loodusvarasid ja tagada, et need võetakse ringlus-

se viisil, mis kaitseb inimeste tervist ja keskkonda.

Lisateabe saamiseks selle kohta, kus saate oma jäätmeid ringlussevõtuks loobuda, võtke palun ühendust kohaliku jäätmekogumisettevõttega. Tootjad ja importijad ei võta vastutust ringlussevõtu, töötlemise ja ökoloogilise kõrvaldamise eest kas otse ega avaliku süsteemi kaudu.



Paldies, ka iegādājāties šo Hendi ierīci. Pirms šīs ierīces uzstādīšanas un lietošanas pirmo reizi uzmanīgi izlasiet šo rokasgrāmatu, īpašu uzmanību pievēršot turpmāk izklāstītajiem drošības noteikumiem.



Drošības noteikumi

- Šī ierīce ir paredzēta tikai komerciālai lietošanai.
- Ierīci lietojiet tikai paredzētajam mērķim, kas paredzēts, kā aprakstīts šajā rokasgrāmatā.
- Ražotājs nav atbildīgs par jebkādiem bojājumiem, ko izraisa nepareiza darbība un nepareiza lietošana.
- Turiet ierīci un elektrisko kontaktdakšu prom no ūdens un citiem šķidrumiem. Gadījumā, ja ierīce nokļūst ūdenī, nekavējoties noņemiet strāvas kontaktdakšu no kontaktligzdas. Nelietojiet ierīci, kamēr to nav pārbaudījis sertificēts tehniķis. Šo instrukciju neievērošana radīs dzīvībai bīstamus riskus.
- Nekad nemēģiniet atvērt ierīces korpusu pats.
- Neievietojiet priekšmetus ierīces korpusā.
- Neaiztieciet kontaktdakšu ar mitrām vai mitrām rokām.
- ⚡ **ELEKTRISKĀS STRĀVAS TRIECIENA BĪSTAMĪBA!** Nemēģiniet remontēt ierīci pats, remontu veic tikai kvalificēts personāls.
- **Nekad nelietojiet bojātu ierīci!** Kad ierīce ir bojāta, atvienojiet ierīci no kontaktligzdas un sazinieties ar mazumtirgotāju.
- **BRĪDINĀJUMS!** Neiegremdējiet ierīces elektriskās daļas ūdenī vai citos šķidrumos.
- Nekad neturiet ierīci zem tekoša ūdens.
- Regulāri pārbaudiet strāvas kontaktdakšu un vadu par jebkādiem bojājumiem. Ja tas ir bojāts, tas jāaizstāj ar dienesta aģentu vai līdzīgi kvalificētu personu, lai izvairītos no briesmām vai ievainojumiem.
- Pārliedzinieties, vai vads nenonāk saskarē ar asiem vai karstiem priekšmetiem un turiet to prom no atklātas uguns. Nekad nevelciet strāvas vadu, lai to atvienotu no kontaktligzdas, vienmēr velciet kontaktdakšu.
- Pārliedzinieties, vai strāvas vads un/vai pagarinātājs nerada brauciena bīstamību.
- Lietošanas laikā nekad neatstājiet ierīci bez uzraudzības.
- **BRĪDINĀJUMS!** Kamēr kontaktdakša atrodas kontaktligzdā, ierīce ir pievienota strāvas avotam.
- Izslēdziet ierīci, pirms to atvieno no kontaktligzdas.
- Pievienojiet strāvas kontaktdakšu viegli pieejamai elektriskajai kontaktligzdai, lai avārijas gadījumā ierīci varētu nekavējoties atvienot.
- Nekad nevelciet ierīci ar vadu.
- Nelietojiet papildu ierīces, kas netiek piegādātas kopā ar ierīci.
- Savienojiet ierīci tikai ar elektrības kontaktligzdu ar spriegumu un frekvenci, kas minēta ierīces etiķetē.
- Nekad nelietojiet piederumus, izņemot tos, ko iesaka ražotājs. Ja tas nav izdarīts, lietotājs var apdraudēt drošību un var sabojāt ierīci. Izmantojiet tikai oriģinālās detaļas un piederumus.



- Šo ierīci nedrīkst darbināt personas ar mazākām fiziskām, maņu vai garīgām spējām vai personas, kurām ir pieredzes un zināšanu trūkums.
- Šo ierīci nekādā gadījumā nedrīkst lietot bērni.
- Uzglabāt ierīci un tās strāvas vadu bērniem nepieejamā vietā.
- **BRIDINĀJUMS:** Vienmēr izslēdziet ierīci un atvienojiet no strāvas kontaktligzdas pirms tīrīšanas, apkopes vai uzglabāšanas.

Īpaši drošības noteikumi

- Šī ierīce ir paredzēta lietošanai gaisa necaurīdīgā iepakojumā pārtikas produktiem, kas paredzēti tiešai lietošanai uz polipropilēna (PP) paplātēm vai ir izgatavoti no ekoloģiska materiāla.
- Izmantojiet ierīci tikai tā, kā aprakstīts šajā rokasgrāmatā.
-  **APDEGUMU BRIESMAS! NEKAD NEPIESKARIETIES BLĪVĒJUMA PLĀKSNEI!** Tas ir ļoti karsts pat pēc lietošanas. Pastāv apdegumu risks. Pagaidiet, līdz ierīce ir atdzisusi. Turklāt lietošanas laikā nepieskarieties ierīcei.
- Ierīce ir jātīra un regulāri jānotīra ēdienu paliekas. Ja ierīce netiek uzturēta tīra, tas nelabvēlīgi ietekmēs ierīces kalpošanas laiku un lietošanas laikā var izraisīt bīstamu stāvokli.
- Nenovietojiet ierīci uz sildāmā priekšmeta (benzīna, elektriskā, ogles plīts utt.) Turiet ierīci tālāk no karstām virsmām un atklātas liesmas. Vienmēr darbiniet ierīci uz līdzenas, stabilas, tīras, karstumizturīgas un sausas virsmas.
- Nelietojiet ierīci, lai iepakotu viegli uzliesmojošus priekšmetus.
-  **ROKU SASPIEŠANAS BRIESMAS!** Nelieciet rokas zem ierīces pārsega lietošanas/ aizvēršanas laikā.

Paredzētais pielietojums

- Šī ierīce ir paredzēta profesionālai lietošanai.
- Šī ierīce ir paredzēta lietošanai gaisa necaurīdīgā iepakojumā pārtikas produktiem, kas paredzēti tiešam patēriņam, tiek pārdoti kā vaļīgi, utt. uz polipropilēna (PP) paplātēm vai ir izgatavoti no ekoloģiska materiāla. Ierīces izmantošana citiem nolūkiem var to sabojāt vai izraisīt miesas bojājumus.
- Ierīces izmantošana citiem mērķiem tiks uzskatīta par nepareizu izmantošanu. Lietotājs ir pilnībā atbildīgs par ierīces nepareizu lietošanu.

Zemējuma uzstādīšana

Šī ierīce ir klasificēta kā **I aizsardzības klase**, un tai jābūt savienotai ar aizsargzemi. Zemējums samazina elektriskās strāvas trieciena risku, nodrošinot elektriskās strāvas evakuācijas vadu. Šī ierīce ir

aprikota ar strāvas vadu, kam ir zemējuma vads un iezemēts spraudnis. Spraudnim jābūt pieslēgtam kontaktligzdai, kas ir pareizi uzstādīta un iezemēta.

Vispārīga informācija

Šī ierīce ir pielāgota lietotā iepakojuma izmēriem, maksimālajiem izmēriem 227x178 mm, un apaļajam iepakojumam ar maksimālo diametru 170 mm, kā arī modeļiem ar šķērsvirziena foliju. Izmantojot iepakojšanas metodi polipropilēna (PP)

vai no videi draudzīgām materiālu plāksnēm, ir iespējams ātri un droši iepakot šādus produktus:

- gaļa,
- zivis,
- smalkveļa,



- pusfabrikāti un pusfabrikāti;
- dārzeņu salāti,
- jūras veltes,
- marinēti dārzeņi, olīvas utt.

Ierīce tiek plaši izmantota komerciālos, gastronomijas un ēdināšanas uzņēmumos.

Ierīci var izmantot arī nelielu rūpniecisko priekšmetu, piemēram, skrūvju, tapu, uzgriežņu, paplākšņu, sīku metāla un plastmasas detaļu, elektronisko detaļu un detaļu, rezerves daļu un dažādu citu izstrādājumu, iepakojšanai.

Gatavu iepakojumu hermētiski noslēgta konteina veidā raksturo iepakojuma pievilcīgs izskats, aug-

sta estētika un laba redzamība. Izturīga un cieša iepakojuma aizvēršana aizsargā iepakojumu pret tā atvēršanas transportēšanas laikā, nodrošinot optimālu iepakojuma produkta aizsardzību pret izšļakstīšanos, izšķīšanu vai izkrišanu no iepakojuma vai bojājumiem. Iepakojuma materiāli ļauj iepakojumam saskarties ar ēdamiem taukiem, un, ja iepakojums ir aprīkots ar paaugstinātu temperatūru, to saturu var uzsildīt mikroviļņu krāsnī, neatvienojot tos no iepakojuma. Šo materiālu plašā pielāgojamība nodrošina iepakojuma izturību pret plaisāšanu visdažādākajās uzglabāšanas temperatūrās.

Darba vide

Neuzstādiet ierīci:

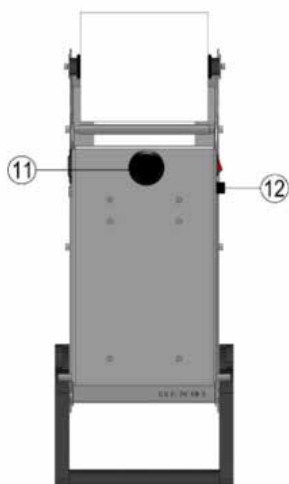
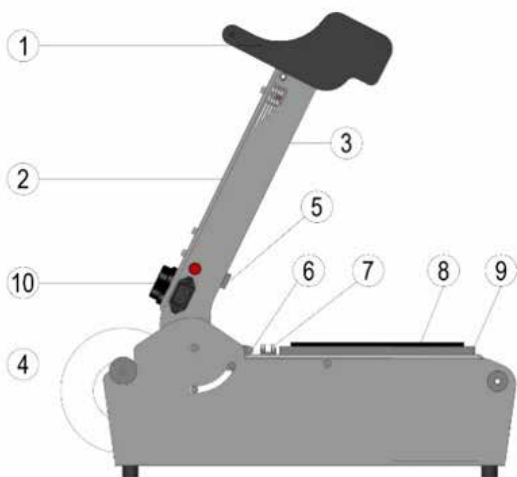
- Uz virsmas, kas neļauj stabilu ierīces iestatījumu.
- Tuvumā rotējošas, vibrējošas mašīnas.
- Putekļainās vietās.
- Vietās ar uzliesmojošu un ķīmiski agresīvu tvaiku atmosfēru.

Šī ierīce ir paredzēta lietošanai komerciālos objek-

tos un atbilst A klases prasībām attiecībā uz elektromagnētisko traucējumu emisijām saskaņā ar EN 61000-6-3:2001.

Mājsaimniecības vidē izmantotais izstrādājums var izraisīt elektromagnētiskos traucējumus. Šādā gadījumā lietotājam jānodrošina papildu aizsardzība pret traucējumiem.

Vispārīgs skats



1. **Pārsega rokturis, spiediena sistēma** – nodrošina ērtu ierīces atvēršanu un aizvēršanu un pareizu spiedienu, lai apmetinātu paplāti. Lietotajai sistēmai nav nepieciešama lietošanas stiprums, kas pārsniedz nepieciešamo.
2. **Pārsegs** – Aizsargājiet sildīšanas plāksni.
3. **Sildīšanas plāksne.**
4. **Rullis ar foliju** – folija nav iekļauta ierīces komplektācijā.
5. **Folijas griezēja nazis** – nodrošina, lai folija



būtu droši iegriezta pēc tam, kad pārsegs ir pilnībā aizvērts.

- 6. Folijas turētājs** — nodrošina folijas malas savtvērienu pēc nogriešanas.
- 7. Griezējs** – nodrošina, ka folija tiek turēta un droši sagriezta pēc tam, kad pārsegs ir pilnībā aizvērts.
- 8. Silikona tvertnes blīve** — blīvējuma vietā piespiež tvertnes malu folijai.
- 9. Konteineru matrica** – nodrošina produkta palpātes atbalstu (Matricas augšējais skats ir

pielāgots konteineru formai).

- 10. Strāvas slēdzis (taustiņš)** – Ļauj ieslēgt/izslēgt ierīci, nospiežot taustiņu (ieslēgšanas statuss ir norādīts ar pogas fona apgaismojumu).
- 11. Temperatūras kontroleris** — ļauj regulēt temperatūru atbilstoši folijas veidam un konteineriem. Uztur sildīšanas plāksnes nemainīgu temperatūru, kā iestatīts.
- 12. Drošinātājs.**

Lietotāja rokasgrāmata

Priekšzīmes

Attālums starp ieliktni (sarkanais marķējums) jāpielāgo ripas platumam, izmantojot foliju, nodrošinot pareizu folijas pozīciju attiecībā pret trauku.

Folijas pielietojums

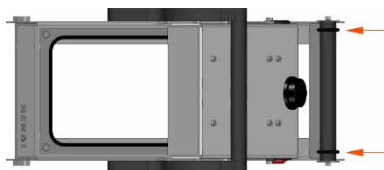
PIEZĪME: Uzklājot foliju, pārliecinieties, ka metināmā puse ir vērsta uz leju.

SVARĪGI:

- Nenovietojiet foliju tā, lai tā būtu vērsta pret sildvirsmu ar blīvējumam paredzēto slāni! Tas var piestiprināt foliju pie sildriņķa un piesārņot tā virsmu!
- Izmantojiet tikai ruļļus, kuros tiek brūvēts plēves tinums ar metināmu slāni ruļļa iekšpusē.

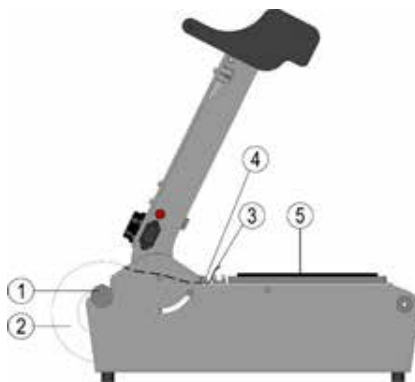
Plēves rullīša pievienošana:

- Izvelciet ruļļa balstu no atveres 1.
- Novietojiet rullīti ar foliju 2 uz ritenīša balsta 1 ierīces aizmugurē.
- Iebīdīiet balstu ar rullīti atpakaļ atverē.
- Manuāli attiniet folijas 3 sākumu un novietojiet to



zem folijas turētāja 4.

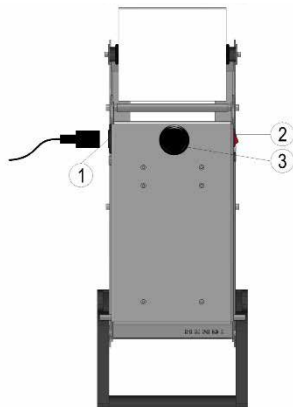
- Novietojiet foliju uz rāmja 5. virsmas.



Ierīces ieslēgšana

Lai ieslēgtu ierīci, rīkojieties šādi:

- Pārliecinieties, ka ierīce novietota stabilā vietā.
- Pievienojiet strāvas vadu ierīces kontaktligzdai 1 un pēc tam – 230V kontaktligzdai, kas aprīkota ar efektīvu aizsarginstalācijas ķēdi (iezemēta tapa).
- Ieslēdziet ierīci, nospiežot strāvas slēdzi 2.



Ierīces ieslēgšana tiek norādīta ar slēdža fona gaismu.

Temperatūras vadība

Temperatūru regulē ar regulatoru, kuram ir uzdrūkants temperatūras skalas. Iespējamais temperatūras iestatījums diapazonā no 50 līdz 210 °C. Tiklīdz

Hermetizēšanas process

Noteikti iepazīstieties ar lietošanas drošības prasībām. Sāciet iepakojšanas procesu saskaņā ar šādu aprakstu:

1. Ievietojiet papildīto tvertni rāmja atverē.
2. Pārvelciet foliju virs tvertnes tā, lai tā būtu pilnībā nosepta ar foliju.

SVARĪGI:

Pirms lietošanas nepieciešama uzsildīšana. (6–10 minūtes).

Pateicoties programmējamam temperatūras regulatoram, sildvirsmas temperatūra pēc karsēšanas tiks automātiski uzturēta iestatītajā līmenī, kas nodrošinās stabilus apstākļus aizvēršanas procesam.

Ierīce ir aprīkota ar iebūvētu drošības folijas griešanas sistēmu. Blīvējuma konstrukcija aizsargā operatoru no apdegumiem vai griezumiem.

- Iestatiet sildīšanas plāksnes temperatūru ar blīvējuma temperatūras kontrolleri.

sildīšanas plāksne sakarsīs līdz iestatītajai temperatūrai, korpusa sānos esošais indikators nodzīsīs.

3. Satveriet pārvalka rokturi un aizveriet pārvalku.
4. Nogaidiet 1–3 sekundes. Paplātes malām metināta folija.
5. Pēc hermetizēšanas procesa pabeigšanas — atveriet vāku un izņemiet noslēgto konteineru.

LV

Tīrīšana un apkope

Tīrīšana

Kad ierīce ir atdzisusi, ar mīkstu suku notīriet iesaiņojumā esošo produktu atliekas. Ja nepieciešams, nomazgājiet netīrumus ar mīkstu sūkli, kas viegli samitrināts ūdenī un mazgāšanas līdzeklī.

Neizmantojiet šāda veida piedegumdrošam pārklājumam neatbilstošus produktus (skatiet tīrīšanas līdzekļa etiķeti). Kad ierīce ir atdzisusi, notīriet netīrumus no plīts ar mīkstu sūkli.

Remonts

Darbības traucējumu gadījumā nekavējoties pārtrauciet ierīces lietošanu un atvienojiet to no strāvas avota. Noskaidrojiet atbildes uz bieži uzdotajiem jautājumiem nodaļā „FAQ” un apskatiet iespējamo risinājumu aprakstu nodaļā „Problēmrisināšana”. Ja problēma joprojām pastāv, sazinieties ar izplatītāju.

miem nodaļā „FAQ” un apskatiet iespējamo risinājumu aprakstu nodaļā „Problēmrisināšana”. Ja problēma joprojām pastāv, sazinieties ar izplatītāju.

Rezerves daļas

Ja lietošanas laikā jums ir nepieciešama piekļuve rezerves daļām, sazinieties ar izplatītāju.



FAQ - Bieži uzdotie jautājumi

a. Vai es varu aizstāt matricu, lai izmantotu cita veida konteineru?

Jā. Matricas nomaiņa ir vienkārša. Noņemiet esošo matricu un ievietojiet jaunu.

UZMANĪBU! Rīkojieties uzmanīgi, lai neapdedzinātu uz sakarsētās sildvirsmas virsmas.

b. Vai atšķirīgu formu konteineriem var izmantot vienu un to pašu matricu?

Jā, tomēr tas iespējams tikai tad, ja tvertnei ir viens nodalījums un dažādo konteineru garums un platums ir precīzi vienāds. Ja šajā apgabalā ir kādas nodaļas, tās netiks metinātas.

c. Kur es varu pasūtīt jaunu matricu?

Sazinieties ar izplatītāju.

d. Vai var pasūtīt pielāgota dizaina konteinerus?

Jā, bet pasūtītajam daudzumam jābūt ļoti liels. Matricas un atpiska konteineru rāmja izgatavošanas izmaksas jābūt ekonomiski pamatotām.

e. Vai ir iespējams izmantot lielāku tilpumu konteinerus?

Jā, lūdzu, sazinieties ar izplatītāju.

Traucējummeklēšana

Problēma	Iespējamais iemesls	Risinājums
Ierīce nenaslēdz foliju līdz tvertnes malai vai blīvējums ir pārāk vājš	Vāka folijas rullis nav pareizi novietots.	Apgrieziet rulli otrādi. Sietam jābūt vērstam pret tvertni.
	Plēves rullis neatbilst materiālam, no kura tvertne ir izgatavota.	Nomainiet blīvēšanas plēves rulli vai tvertni.
	Pārāk zema temperatūra	Palieliniet temperatūru
	Pārāk īss metināšanas laiks	Atstājiet vāku aizvērtu ilgāk.
	Matrica tiek apvērsta (ar silikona svītrām uz leju)	Apvērsiet matricu.
	Silikona joslu trūkums matricā	Piepildiet spraugas un ievietojiet jaunas silikona joslas
Ierīce neieslēdzas	Silikona sloksnes spiediena līnijā ir sprauga.	Noregulējiet sloksnes pozīciju.
	Strāvas vads nav pieslēgts strāvas padevei vai nav ieslēgta mašīna.	Pievienojiet ierīci barošanas avotam un ieslēdziet to.
Blīvējošā folija nav nogriezta.	Izdedzis drošinātājs.	Sazināties ar pilnvarotu pakalpojumu sniedzēju.
	Nazis trūkst vai ir bojāts.	Sazinieties ar pilnvarotu servisu, lai nomainītu nažus.

Tehniskie dati

Vienības nr.	976722
Izmēri (Ierīce)	637x258x(H)247 mm
Izmēri (Ruļļa)	Ø160 x (max) 200 mm
Paplātes izmēri	195x250x(H)10 mm
Efektivitāte	8-10 cikli/min
Maks. Jauda	700 W
Spriegums	Maiņstrāva ~230 V, 50Hz
Drošinātājs	5x20 ar aizturi 315 A
Indikatori	Ieslēgšanas + sildīšanas plāksnes indikatora gaisma
Blīvēšanas tehnoloģija	Sildīšanas plāksne ar nepiedeģošu pārklājumu un manuāli regulējamu temperatūru
Īpašības	- Nerūsējošā tērauda konstrukcija, ātra matricas nomainīšana konteineriem, - drošu un stabilu temperatūras kontroles sistēmu, - iespēja izmantot matricas, kas pielāgotas lietotāja individuālajām vajadzībām, - folijas šķērsriezums
Neto svars	10 kg

Garantija

Jebkurus defektus, kas ietekmē ierīces funkcionalitāti un kas kļūst redzami viena gada laikā pēc iegādes, novērsīs ar bezmaksas remontu vai nomainīšanu, ja ierīce ir izmantota un uzturēta saskaņā ar instrukcijām un nav ļaunprātīgi izmantota vai nekādā veidā izmantota ļaunprātīgi. Jūsu likumā noteiktās tiesības netiek ietekmētas. Ja ierīce ir pieprasīta saskaņā ar garantiju, norādiet, kur un

kad tā tika iegādāta, un iekļaujiet pirkuma apliecinājumu (piem., kvīti).

Saskaņā ar mūsu nepārtrauktas produktu izstrādes politiku mēs paturam tiesības bez iepriekšēja brīdinājuma mainīt produkta, iepakojuma un dokumentācijas specifikācijas.

Izmešana un vide

Izslēdzot iekārtu, produktu nedrīkst apglabāt kopā ar citiem sadzīves atkritumiem. Tā vietā jūsu pienākums ir atbrīvoties no atkritumiem, nododot to izraudzītajai savākšanas vietai. Šā noteikuma neievērošanu var sodīt saskaņā ar piemērojamiem noteikumiem par atkritumu apglabāšanu. Jūsu atkritumu aprīkojuma atsevišķa savākšana un pārstrāde apglabāšanas laikā palīdzēs saglabāt dabas resursus un nodrošināt to pārstrādi tādā veidā, kas


aizsargā cilvēku veselību un vidi.

Lai iegūtu plašāku informāciju par to, kur jūs varat atnest atkritumus pārstrādei, lūdz, sazinieties ar vietējo atkritumu savākšanas uzņēmumu. Ražotāji un importētāji neuzņemas atbildību par pārstrādi, apstrādi un ekoloģisko iznīcināšanu ne tieši, ne ar publiskas sistēmas starpniecību.



Dėkojame, kad įsigijote šį "Hendi" prietaisą. Atidžiai perskaitykite šį vadovą, atkreipdami ypatingą dėmesį į toliau išdėstytas saugos taisykles, prieš pirmą kartą įrengdami ir naudodami šį prietaisą.


Przepisy bezpieczeństwa

- Šis prietaisas skirtas tik komerciniam naudojimui.
- Prietaisą naudokite tik pagal paskirtį, pagal kurią jis buvo suprojektuotas, kaip aprašyta šiame vadove.
- Gamintojas neatsako už žalą, padarytą dėl netinkamo veikimo ir netinkamo naudojimo.
- Prietaisą ir elektros kištuką laikykite atokiau nuo vandens ir kitų skysčių. Jei prietaisas patenka į vandenį, nedelsdami išimkite maitinimo kištuką iš lizdo. Nenaudokite prietaiso tol, kol jo nepatikrins sertifikuotas technikas. Nesilaikant šių nurodymų sukels gyvybei pavojingą riziką.
- Niekada nebandykite atidaryti prietaiso korpuso patys.
- Nejunkite objektų į prietaiso korpusą.
- Nelieskite kištuko šlapiomis ar drėgnomis rankomis.
-  **ELEKTROS SMŪGIO PAVOJUS!** Nbandykite patys taisyti prietaiso, remontą turi atlikti tik kvalifikuotas personalas.
- **Niekada nenaudokite pažeisto prietaiso!** Kai jis sugadintas, atjunkite prietaisą nuo lizdo ir kreipkitės į mažmenininką.
- **ĮSPĖJIMAS!** Negalima panardinti prietaiso elektrinių dalių vandenyje ar kituose skysčiuose.
- Niekada nelaikykite prietaiso po tekančiu vandeniu.
- Reguliariai tikrinkite maitinimo kištuką ir laidą dėl bet kokios žalos. Jei jis sugadintas, jį turi pakeisti paslaugų agentas arba panašiai kvalifikuotas asmuo, kad būtų išvengta pavojaus ar sužalojimo.
- Įsitikinkite, kad laidas nesiliečia su aštriais ar karštais daiktais ir laikykite jį atokiau nuo atviros ugnies. Niekada traukite maitinimo laidą atjunkite jį nuo lizdo, visada traukite kištuką vietoj.
- Įsitikinkite, kad maitinimo laidas ir (arba) prailginimo laidas nekelia pavojaus kelionei.
- Niekada nepalikite prietaiso be priežiūros naudojimo metu.
- **ĮSPĖJIMAS!** Tol, kol kištukas yra lizdo prietaisas yra prijungtas prie maitinimo šaltinio.
- Išjunkite prietaisą prieš atjungdami jį iš lizdo.
- Prijunkite maitinimo kištuką prie lengvai prieinamo elektros lizdo, kad avarijos atveju prietaisą būtų galima nedelsiant atjungti.
- Niekada nešiokite prietaisą laidu.
- Nenaudokite jokių papildomų prietaisų, kurie nėra tiekiami kartu su prietaisu.
- Prijunkite prietaisą tik prie elektros lizdo, kurio įtampa ir dažnis yra nurodytas prietaiso etiketėje.
- Niekada nenaudokite priedų, išskyrus tuos, kuriuos rekomenduoja gamintojas. To nepadarius, vartotojas gali kelti pavojų saugai ir gali sugadinti prietaisą. Naudokite tik

originalias dalis ir priedus.

- Šio prietaiso neturėtų naudoti asmenys, turintys mažesnes fizines, jutimo ar protines galimybes, arba asmenys, neturintys patirties ir žinių.
- Šis prietaisas jokiomis aplinkybėmis neturėtų būti naudojamas vaikams.
- Laikykite prietaisą ir jo maitinimo laidą vaikams nepasiekiamoje vietoje.
- **ĮSPĖJIMAS:** VISADA išjunkite prietaisą ir atjunkite nuo maitinimo lizdo prieš valydami, prižiūrėdami ar laikydami.

Specialios saugos taisyklės

- Šis prietaisas yra skirtas sandariai supakuoti maisto produktus, skirtus tiesioginiam naudojimui, ant polipropileno (PP) padėklų arba pagamintus iš ekologiškų medžiagų.
- Prietaisą naudokite tik taip, kaip aprašyta šiame vadove.
-  **NUDEGIMŲ PAVOJUS! NIEKADA NELIESKITE SANDARINIMO PLOKŠTĖS!** Net ir panaudojus jis labai karštas. Kyla pavojus nusideginti. Palaukite, kol prietaisas atvės. Taip pat nelieskite naudojamo prietaiso.
- Prietaisą būtina valyti ir reguliariai šalinti maisto likučius. Jei prietaisas nebus laikomas švarus, tai gali neigiamai paveikti prietaiso naudojimo trukmę ir naudojimo metu gali sukelti pavojingą būklę.
- Nestatykite prietaiso ant šildymo objekto (benzino, elektros, anglies viryklės ir pan.) Saugokite prietaisą nuo karštų paviršių ir atviros liepsnos. Prietaisą visada naudokite ant lygaus, stabilaus, švaraus, karščiui atsparaus ir sauso paviršiaus.
- Nenaudokite prietaiso degiems gaminiams pakuoti.
-  **PAVOJUS SUSPAUSTI RANKAS!** Nekiškite rankų po prietaiso dangčiu, kai prietaisas naudojamas / uždaromas.

LT

Numatyta paskirtis

- Šis prietaisas skirtas profesionaliam naudojimui.
- Šis prietaisas yra skirtas sandariai supakuoti maisto produktus, skirtus tiesioginiam vartojimui, parduodamus atskirai ir pan., ant polipropileno (PP) padėklų arba ekologiškų medžiagų. Prietaiso naudojimas bet kokiais kitais tikslais gali jį sugadinti arba susižaloti.
- Prietaiso naudojimas bet kokiam kitam tikslui bus laikomas netinkamu naudojimu. Naudotojas bus visiškai atsakingas už netinkamą įrenginio naudojimą.

Įžeminimo įrengimas

Šis prietaisas klasifikuojamas kaip **I apsaugos klasė** ir turi būti prijungtas prie apsauginio pagrindo. Įžeminimas sumažina elektros smūgio riziką, suteikiant elektros srovės evakuavimo laidą. Šiame

prietaise yra maitinimo laidas, turintis įžeminimo laidą ir įžemintą kištuką. Kištukas turi būti prijungtas prie tinkamai sumontuoto ir įžeminto lizdo.



Bendroji informacija

Šis prietaisas pritaikytas naudoti ant panaudotos pakuotės, kurios matmenys maksimalūs – 227 x 178 mm, o apvali pakuotė – iki 170 mm, taip pat modeliams su skersiniu plėveliniu pjovimu.

Pakuojant polipropileno (PP) arba ekologinių medžiagų padėklais galima greitai ir saugiai supakuoti tokius produktus:

- mėsa,
- žuvis,
- gležni pasenai,
- paruošti patiekalai ir pusgaminiai;
- daržovių salotos,
- jūros gėrybės,
- marinuotos daržovės, alyvuogės ir kt.

Šis prietaisas plačiai naudojamas komercinėse, gastronomijos ir maitinimo įstaigose.

Šis prietaisas taip pat gali būti naudojamas ma-

žiems pramoniniams daiktams pakuoti, pavyzdžiui, varžtam, kaiščiams, veržlėms, poveržlėms, smulkiems metaliniams ir plastikiniams elementams, elektroninėms dalims ir komponentams, atsarginėms dalims ir daugeliui kitų tipų gaminiams.

Paruošta pakuotė sandarioje pakuotėje pasižymi patrauklia išvaizda, puikia estetika ir geru supakuoto produkto matomumu. Patvarus ir sandarus pakuotės uždarymas apsaugo nuo atidarymo transportavimo metu, užtikrindamas optimalią supakuoto produkto apsaugą nuo išpylimo, išsisklaidymo ar iškritimo iš pakuotės ar pažeidimo. Pakuotės medžiagos leidžia pakuoti su valgomaisiais riebalais, o pakuotės, esant didesniai temperatūrai, turinį galima pašildyti mikrobangų krosnelėje neišimant jų iš pakuotės. Didelis šių medžiagų lankstumas užtikrina, kad pakuotė būtų atspari sušilimui esant įvairioms laikymo temperatūroms.

Darbo aplinka

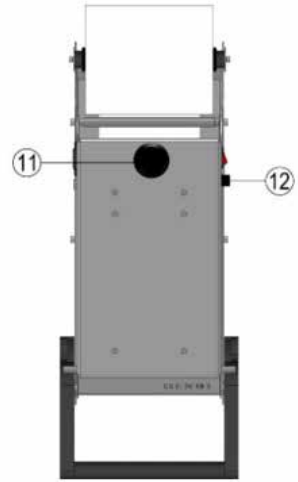
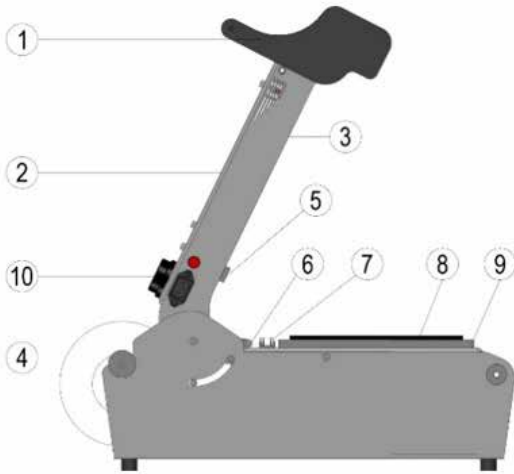
Neįrenkite prietaiso:

- Ant paviršiaus, kuriame prietaisas negali stabiliai stovėti.
- Šalia besisukančių, vibruojančių mašinų.
- Dulkėtose vietose.
- Vietose su degių ir chemiškai agresyvių garų atmosfera.

Šis prietaisas skirtas naudoti komercinėse patalpose ir atitinka A klasės elektromagnetinių trukdžių emisijos reikalavimus pagal EN 61000-6-3:2001.

Klasės gaminys, naudojamas gyvenamojoje aplinkoje, gali sukelti elektromagnetinių trukdžių. Tokiu atveju naudotojas turi suteikti papildomą apsaugą nuo trukdžių.

Bendrasis vaizdas

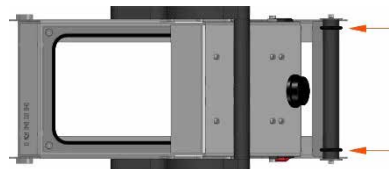


1. **Dangčio rankena, slėgio sistema** – leidžia patogiai atidaryti ir uždaryti prietaisą, taip pat užtikrina tinkamą spaudimą suvirinti padėklą. Taikomai sistemai nereikia didesnio naudojimo stiprumo nei būtina.
2. **Dangtis** – apsaugokite kaitinimo plokštę.
3. **Kaitinimo plokštė.**
4. **Ritinys folija** – folija nepridedama prie prietaiso.
5. **Folijos pjovimo peilis** – užtikrina, kad folija būtų saugiai nupjauta, kai dangtelis bus visiškai uždarytas.
6. **Folijos laikiklis** – pjaunant užtikrina, kad folijos kraštas bus prilaikomas.
7. **Pjoviklis** – užtikrina, kad folija būtų laikoma ir saugiai pjaunama, kai dangtelis yra visiškai uždarytas.
8. **Silikoninis indo tarpiklis** – prispaudžia indo kraštą prie folijos užsandarinimo vietoje.
9. **Talpyklos matrica** – užtikrina, kad produktų dėklas būtų prilaikomas (viršutinis matricos vaizdas pritaikomas pagal talpyklos formą).
10. **Maitinimo jungiklis (mygtukas)** – leidžia įjungti / išjungti prietaisą paspaudus mygtuką (įjungimo būseną nurodoma mygtuko galinėje dalyje).
11. **Temperatūros valdiklis** – galima reguliuoti temperatūrą pagal folijos ir talpyklų tipą. Palaikoma nustatyta kaitinimo plokštės temperatūra.
12. **Saugiklis.**

Naudojimo instrukcija

Pirminės išmokos

Tarpas tarp įvorės (raudonas žymėjimas) turi būti pakoreguotas pagal ritinio su folija plotį, užtikrinant tinkamą folijos padėjų konteinerio atžvilgiu.



LT



Folijos taikymas

PASTABA: Uždėdami foliją įsitikinkite, kad ta pusė, kurią reikia suvirinti, būtų nukreipta žemyn.

SVARBU:

- Nedėkite folijos taip, kad ji būtų nukreipta į kaitinamąją plokštę ir uždengtų sandarinimo sluoksnį! Jis gali prilipti prie kaitinamosios plokštės ir užteršti jos paviršių!
- Naudokite tik tuos ritinius, kuriuose plėvelės išvyniojimas yra surištas ritinio viduje.

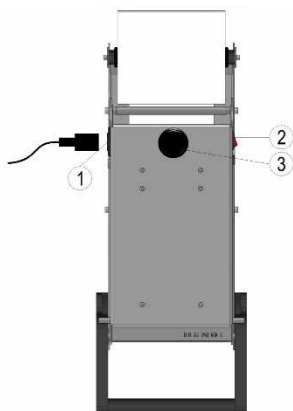
Folijos ritinio pritvirtinimas:

- Ištraukite ritinio atramą iš 1 lizdo.
- Padėkite ritinėį su folija 2 ant ritinėlio atramos 1 prietaiso gale.
- Įstumkite atramą su ritinėliu atgal į angą.
- Ranka atvyniokite folijos pradžių 3 ir padėkite ją

Prietaiso įjungimas

Norėdami įjungti prietaisą, atlikite šiuos veiksmus:

- Įsitikinkite, kad prietaisas pastatytas stabilioje vietoje.
- Prijunkite maitinimo laidą prie prietaiso 1 lizdo, o tada prie ~ 230V maitinimo lizdo su efektyvia apsauginės įrengties grandine (įžemintu kaiščiu).
- Įjunkite prietaisą paspausdami 2 jungiklį.

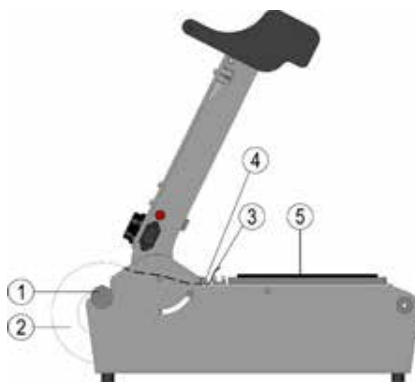


Temperatūros valdymas

Temperatūra reguliuojama rankenėle su įspausta temperatūros skale. Galimas temperatūros nustatymas intervale nuo 50 iki 210 °C. Kai tik šildymo

po folijos laikikliu 4.

- Padėkite foliją ant rėmo paviršiaus 5.



Prietaiso įjungimas priklauso nuo jungiklio foninio apšvietimo.

SVARBU:

Prieš naudojimą reikalingas pašildymas (6–10 minučių).

Naudojant programuojamą temperatūros reguliatorių, kaitinimo plokštės temperatūra po kaitinimo automatiškai palaikoma nustatytame lygyje, todėl užtikrinamos stabilios sąlygos sandarinimo procesui.

Šiame prietaise įrengta apsauginė folijos pjaustymo sistema. Sandariklio konstrukcija apsaugo operatorių nuo nudegimų ar įpjovimų.

- Kaitinimo plokštės temperatūrą nustatykite sandarinimo temperatūros valdikliu.

plokštę įkaista iki nustatytos temperatūros, korpuso šone esanti lemputė užgesa.

Sandarinimo procesas

Būtinai susipažinkite su naudojimo saugos reikalavimais. Pradėkite sandarinimo procesą pagal šį aprašą:

1. Įdėkite užpildytą talpyklę į angą rėme.
2. Ant talpyklės užmaukite foliją, kad ji būtų visiškai uždengta folija.

3. Suimkite už dangtelio rankenos ir uždarykite dangtį.
4. Palaukite 1–3 sekundes. Folija suvirinta išilgai dėklo kraštų.
5. Užbaigę sandarinimo procesą, atidarykite dangtį ir uždarykite talpyklę.

Valymas ir priežiūra

Valymas

Kai prietaisas atvės, pašalinkite supakuotų gaminių likučius minkštu šepetėliu.

Jeigu reikia, nuplaukite nešvarumus minkšta kempine, šiek tiek sudrėkinta vandeniu ir plovikliu.

Nenaudokite gaminių, kurie nėra skirti šio tipo nesylančiai dangai (žr. valiklio gaminio lapą). Kai prietaisas atvės, pašalinkite nuo kaitlentės nešvarumus minkšta kempine.

Remontas

Gedimų atveju nedelsdami nustokite naudoti prietaisą ir atjunkite jį nuo maitinimo šaltinio.

Peržiūrėkite atsakymus į dažniausiai užduodamus

klausimus skyriuje „DUK“ ir peržiūrėkite galimų sprendimų aprašymus skyriuje „Trikčių šalinimas“. Jei problema išlieka, kreipkitės į platintoją.

Atsarginės dalys

Jei darbo metu jums reikia prieigos prie atsarginių dalių, kreipkitės į platintoją.

DUK - Dažnai užduodami klausimai

a. Ar galiu pakeisti matricą, kad galėčiau naudoti kito tipo talpyklą?

Taip. Matricą pakeisti lengva. Pašalinkite esamą matricą ir įdėkite naują.

DĖMESIO! Būkite atsargūs, kad nenudegtumėte kaitinimo plokštės paviršiaus.

b. Ar galima naudoti tą pačią matricą skirtingoms konteinerių formoms?

Taip, tai įmanoma tik tuo atveju, jei konteineris turi vieną skyrių ir skirtingų konteinerių ilgis bei plotis yra lygiai tokie patys. Jei šioje srityje yra kokių nors padalinių, jie nebus suvirinti.

c. Kur galiu užsisakyti naują matricą?

Kreipkitės į savo platintoją.

d. Ar galiu užsakyti individualaus dizaino talpyklas?

Taip, tačiau užsakytas kiekis turi būti labai didelis. Turi būti ekonomiškai pateisinama matricos ir atipinio konteinerio rėmo kūrimo kaina.

e. Ar galima naudoti didesnės talpos konteinerius?

Taip, susisiekite su savo platintoju.



Trikčių šalinimas

Problema	Galima priežastis	Sprendimas
Prietaisas neužsandarina pakuočės krašto arba jei sandariklis per silpnas	Netinkamai nustatytas folijos ritinėlis.	Aperskite ritinėlj. Folija turi būti nukreipta į talpyklą.
	Folijos ritinys neatitinka medžiagos, iš kurios pagaminta talpykla.	Pakeiskite sandarinimo plėvelės ritinėlj arba konteinerį.
	Per žema temperatūra	Padidinkite temperatūrą
	Per trumpas suvirinimo laikas	Palikite užvalkalą uždarytą ilgiau.
	Matrica yra apversta (su silikoninėmis juostelėmis žemyn)	Aperskite matricą.
	Ant matricos nėra silikoninių juostelių	Užpildykite tarpus ir įdėkite naujas silikonines juosteles
Prietaisas neįsijungia	Silikoninės juostelės slėgio linijoje yra tarpas.	Pakoreguokite juostelės padėtį.
	Maitinimo laidas neprijungtas prie maitinimo šaltinio arba neįjungtas aparatas.	Prijunkite įrenginį prie maitinimo šaltinio ir įjunkite jį.
Sandarinimo folija nėra nupjauta.	Perdegę saugiklis.	Susisiekiite su įgaliotuoju atstovu.
	Peilio nėra arba jis apgadintas.	Kreipkitės į įgaliotą techninės priežiūros tarnybą, kad pakeistų peilį.

Techniniai duomenys

Prekės Nr.	976722
Matmenys (prietaisas)	637x258x(H)247 mm
Matmenys (robotas)	Ø160 x (max) 200 mm
Padėklo matmenys	195x250x(H)10 mm
Efektyvumas	8–10 ciklų/min.
Maks. Maitinimas	700 W
Įtampa	Kintamoji srovė ~230 V 50Hz
Saugiklis	5 x 20 uždelstas 3,15 A
Indikatoriai	Įjungimo lemputė + šildymo plokštės kontrolinė lemputė
Sandarinimo technologija	Kaitinimo plokštė su neslylančia danga ir rankiniu būdu reguliuojama temperatūra
Ypatybės	- Nerūdijančio plieno konstrukcija, greitai keičiate dežių matricą, - saugią ir stabilią temperatūros valdymo sistemą, - galimybę naudoti matricas, pritaikytas individualiems naudotojo poreikiams, - skersinis folijos pjūvimas
Grynasis svoris	10 kg

Garantija

Bet koks defektas, turintis įtakos prietaiso funkcionalumui, kuris paaiškėja per vienerius metus nuo pirkimo, bus suremontuotas nemokamai arba pakeičiamas, jei prietaisas buvo naudojamas ir prižiūrimas pagal instrukcijas ir jokių būdu nebuvo piktnaudžiuojama ar piktnaudžiuojama. Jūsų įstatyminės teisės neturi įtakos. Jei reikalaujama, kad prietaisas būtų suteiktas pagal garantiją, nu-

rodykite, kur ir kada jis buvo įsigytas, ir nurodykite pirkimo įrodymą (pvz., kvitą).

Laikydami savo nuolatinio produkto kūrimo politikos, pasiliecame teisę be išankstinio įspėjimo keisti produkto, pakuotės ir dokumentacijos specifikacijas.

Išmetimas ir aplinka

Nutraukus prietaiso eksploatavimą, gaminys neturi būti šalinamas su kitomis buitinėmis atliekomis. Vietoj to, jūs esate atsakingi už atliekų šalinimo įrangą, perduodant ją nurodytam surinkimo punktui. Šios taisyklės nesilaikymas gali būti baudžiamas pagal taikomus atliekų šalinimo reglamentus. Atskiras jūsų įrangos atliekų surinkimas ir perdirbimas šalinimo metu padės išsaugoti gamtos išteklius ir užtikrinti, kad jie būtų perdirbami taip, kad būtų apsaugota žmonių sveikata ir aplinka.

Norėdami gauti daugiau informacijos apie tai, kur galite išmesti atliekas perdirbimui, kreipkitės į vietinę atliekų surinkimo įmonę. Gamintojai ir importuotojai neprisiima atsakomybės už perdirbimą, apdorojimą ir ekologinį šalinimą tiesiogiai arba per viešąją sistemą.



Vážený zákazník,



Ďakujeme, že ste si kúpili tento prístroj Hendi. Pozorne si prečítajte túto príručku a venujte osobitnú pozornosť bezpečnostným predpisom, ktoré sú uvedené nižšie, pred prvou inštaláciou a používaním tohto zariadenia.

Bezpečnostné predpisy

- Tento spotrebič je určený len na komerčné použitie.
- Spotrebič používajte len na určený účel, na ktorý bol navrhnutý tak, ako je opísané v tejto príručke.
- Výrobca nenesie zodpovednosť za žiadne škody spôsobené nesprávnou prevádzkou a nesprávnym používaním.
- Spotrebič a elektrickú zástrčku uchovávajte mimo dosahu vody a iných kvapalín. V prípade, že spotrebič spadne do vody, okamžite vyberte zástrčku zo zásuvky. Spotrebič nepoužívajte, kým ho nekontroluje certifikovaný technik. Nedodržanie týchto pokynov spôsobí život ohrozujúce riziká.
- Nikdy sa nepokúšajte otvoriť kryt spotrebiča sami.
- Nevkladajte predmety do krytu spotrebiča.
- Nedotýkajte sa zástrčky mokkými alebo vlhkými rukami.
- ⚡ **NEBEZPEČENSTVO ÚRAZU ELEKTRICKÝM PRÚDOM!** Nepokúšajte sa opraviť spotrebič sami, opravy majú vykonávať len kvalifikovaný personál.
- **Nikdy nepoužívajte poškodený spotrebič!** Keď dôjde k poškodeniu, odpojte spotrebič od zásuvky a obráťte sa na predajcu.
- **VAROVANIE!** Neponorte elektrické časti spotrebiča do vody alebo iných kvapalín.
- Nikdy nedržte spotrebič pod tečúcou vodou.
- Pravidelne kontrolujte, či je napájacia zástrčka a kábel poškodený. Ak je poškodený, musí byť nahradený servisným agentom alebo podobne kvalifikovanou osobou, aby sa predišlo nebezpečenstvu alebo zraneniu.
- Uistite sa, že kábel nie je v kontakte s ostrými alebo horúcimi predmetmi a nechajte ho mimo otvoreného ohňa. Nikdy nevytiahnite napájací kábel, aby ste ho odpojili od zásuvky, vždy vytiahnite zástrčku.
- Uistite sa, že napájací kábel a/alebo predlžovací kábel nespôsobujú nebezpečenstvo vypnutia.
- Počas používania nikdy nenechávajte spotrebič bez dozoru.
- **VAROVANIE!** Pokiaľ je zástrčka v zásuvke, spotrebič je pripojený k zdroju napájania.
- Pred odpojením zariadenia zo zásuvky vypnite spotrebič.
- Pripojte napájaciu zástrčku k ľahko dostupnej elektrickej zásuvke, aby bolo v prípade núdze možné okamžite odpojiť spotrebič.
- Nikdy nenoste spotrebič za kábel.
- Nepoužívajte žiadne ďalšie zariadenia, ktoré nie sú dodávané spolu so spotrebičom.
- Spotrebič pripojte iba k elektrickej zásuvke s napätím a frekvenciou uvedenou na štítku spotrebiča.

- Nikdy nepoužívajte iné príslušenstvo ako príslušenstvo odporúčané výrobcom. Nedodržanie tohto postupu by mohlo predstavovať bezpečnostné riziko pre užívateľa a mohlo by dôjsť k poškodeniu spotrebiča. Používajte iba originálne diely a príslušenstvo.
- Tento prístroj by nemal prevádzkovať osoby so zníženými fyzickými, zmyslovými alebo duševnými schopnosťami alebo osoby, ktoré nemajú dostatok skúseností a vedomostí.
- Tento spotrebič by za žiadnych okolností nemali používať deti.
- Spotrebič a jeho napájací kábel uchovávajte mimo dosahu detí.
- **UPOZORNENIE:** VŽDY vypnite spotrebič a odpojte od elektrickej zásuvky pred čistením, údržbou alebo skladovaním.

Osobitné bezpečnostné predpisy

- Tento spotrebič je určený na vzduchotesné balenie potravín určených na priamu spotrebu, na polypropylénových (PP) podnosoch alebo na výrobu ekologických materiálov.
- Spotrebič používajte len v súlade s popisom v tomto návode.
-  **NEBEZPEČENSTVO POPÁLENIA! NIKDY SA NEDOTÝKAJTE TESNIAČEJ PLATNE!**
Je veľmi horúci aj po použití. Hrozí nebezpečenstvo popálenia. Počkajte, kým spotrebič nevychladne. Počas používania sa tiež nedotýkajte spotrebiča.
- Spotrebič treba pravidelne čistiť a zvyšky potravín treba pravidelne odstraňovať. Ak spotrebič nie je udržiavaný v čistom stave, bude to mať nepriaznivý vplyv na životnosť spotrebiča a môže to mať za následok nebezpečný stav počas používania.
- Spotrebič nekladte na výhrevné teleso (benzín, elektrický, uhlíkový sporák atď.) Spotrebič uchovávajte mimo horúcich povrchov a otvoreného ohňa. Spotrebič používajte vždy na rovnom, stabilnom, čistom, teplovzdornom a suchom povrchu.
- Spotrebič nepoužívajte na balenie horľavých predmetov.
-  **NEBEZPEČENSTVO POMLIAŽDENIA RÚK!** Počas používania/zatvárania nekladte ruky pod kryt spotrebiča.

Zamýšľané použitie

- Tento spotrebič je určený na profesionálne použitie.
- Tento spotrebič je určený na vzduchotesné balenie potravín určených na priamu spotrebu, predávaných voľne podľa hmotnosti atď. na polypropylénových (PP) podnosoch alebo vyrobených z ekologických materiálov. Používanie zariadenia

na akýkoľvek iný účel môže spôsobiť jeho poškodenie alebo zranenie osôb.

- Použitie zariadenia na akýkoľvek iný účel sa bude považovať za nesprávne použitie. Za nesprávne použitie zariadenia bude zodpovedný výlučne používateľ.

Inštalácia uzemnenia

Tento spotrebič je klasifikovaný ako **trieda ochrany I** a musí byť pripojený k ochrannej ploche. Uzemnenie znižuje riziko úrazu elektrickým prúdom tým, že poskytuje únikový vodič pre elektrický prúd. Tento

spotrebič je vybavený napájacím káblom, ktorý má uzemňovací vodič a uzemnenú zástrčku. Zástrčka musí byť zapojená do zásuvky, ktorá je správne nainštalovaná a uzemnená.



Všeobecné informácie

Tento spotrebič je prispôsobený rozmerom použitého balenia s maximálnymi rozmermi 227 x 178 mm a okrúhlym balením s maximálnym priemerom 170 mm a tiež pre modely s priečnou planžetou.

Metóda balenia v polypropyléne (PP) alebo vyrobená z ekologických materiálov umožňuje rýchle a bezpečné balenie takých produktov, ako sú:

- mäso,
- ryby,
- jemnú bielizeň,
- hotové jedlá a polotovary,
- zeleninový šalát,
- morské plody,
- kyslá zelenina, olivy atď.

Spotrebič sa často používa v komerčných, gastronomických a cateringových zariadeniach.

Spotrebič možno použiť aj na balenie malých prie-

myselných predmetov, ako sú skrutky, kolíky, matice, podložky, malé kovové a plastové diely, elektronické diely a komponenty, náhradné diely a mnoho iných typov výrobkov.

Hotové balenie vo forme uzavretej nádoby je charakterizované atraktívnym vzhľadom, vysokou estetikou a dobrým prehľadom baleného produktu. Trvanlivé a pevné uzavretie obalu chráni pred otvorením počas prepravy, čím zabezpečuje optimálnu ochranu zabaleného produktu pred rozliatím, rozptyľovaním alebo vypadnutím z obalu alebo poškodením. Obalové materiály umožňujú, aby sa obal dostal do kontaktu s jedlými tukmi a v prípade balenia so zvýšenou odolnosťou voči teplote je možné jeho obsah zohriať v mikrovlnnej rúre bez toho, aby ste ho z obalu odstránili. Vysoká flexibilita týchto materiálov zaručuje, že obal je odolný voči praskaniu v širokej škále skladovacích teplôt.

Pracovné prostredie

Spotrebič neinštalujte:

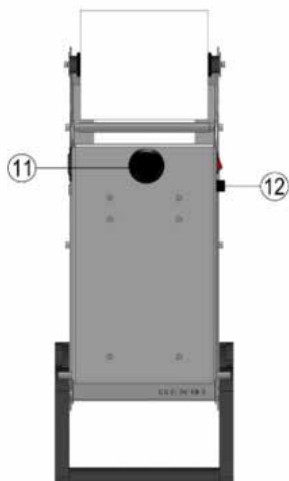
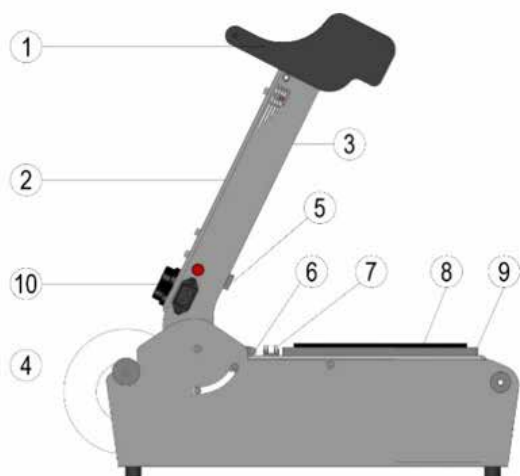
- Na povrchu, ktorý neumožňuje stabilné nastavenie spotrebiča.
- V blízkosti otáčajúcich sa, vibrujúcich strojov.
- Na prašných miestach.
- Na miestach s atmosférou horľavých a chemicky agresívnych výparov.

Tento spotrebič je určený na použitie v komerč-

ných zariadeniach a spĺňa požiadavky triedy A na elektromagnetické rušenie v súlade s normou EN 61000-6-3:2001.

Výrobok triedy používaný v obytnom prostredí môže spôsobiť elektromagnetické rušenie. V takom prípade by mal používateľ poskytnúť dodatočnú ochranu pred rušením.

Všeobecné zobrazenie



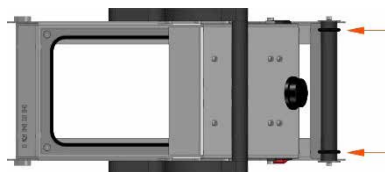
- 1. Rukoväť krytu, tlakový systém** – poskytuje pohodlné otváranie a zatváranie spotrebiča a správny tlak na zváranie podnosu. Aplikovaný systém nevyžaduje silu použitia väčšiu, ako je potrebné.
- 2. Kryt** – chráni ohrevnú platňu.
- 3. Ohrievacia platňa.**
- 4. Kotúľa s fóliou** – fólia nie je súčasťou balenia spotrebiča.
- 5. Nôž na planžetu a čepeľ** – Zabezpečuje, aby bola fólia po úplnom zatvorení krytu bezpečne odrezaná.
- 6. Držiak na planžetu** – Zabezpečuje, že po odrezaní drží okraj fólie.
- 7. Fréza** – Zabezpečuje, aby fólia bola držaná a bezpečne rezaná po úplnom zatvorení krytu.
- 8. Silikónové tesnenie nádoby** – pritláča okraj nádoby k fólii v mieste utesnenia.
- 9. Matica kontajnera** – zaisťuje podporu zásobníka produktu (pohľad zhora na maticu je prispôsobený tvaru kontajnera).
- 10. Vypínač (tlačidlo)** – umožňuje zapnúť/vypnúť spotrebič stlačením tlačidla (stav zapnutia indikuje podsvietenie tlačidla).
- 11. Regulátor teploty** – umožňuje upraviť teplotu podľa typu fólie a nádob. Udržiava konštantnú teplotu vyhrievacej platne podľa nastavenia.
- 12. Poistka.**

SK

Používateľská príručka

Predbežné opatrenia

Vzdialenosť puzdra (červená značka) by sa mala nastaviť na šírku kotúča s fóliou, čím sa zabezpečí správna poloha fólie vzhľadom na nádobu.



Aplikácia planžety

POZNÁMKA: Pri aplikácii fólie sa uistite, že strana, ktorá sa má privariť, smeruje nadol.

DÔLEŽITÉ:

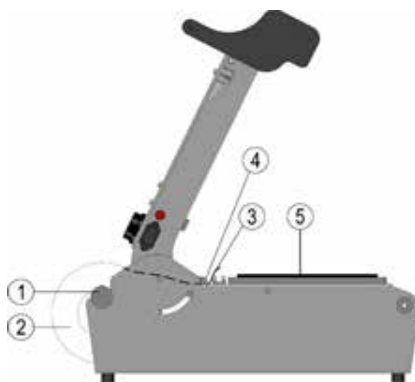
- Nedávajte fóliu tak, aby smerovala k vyhrievacej platni s vrstvou určenou na utesnenie! Môže prilepiť fóliu na ohrevnú platňu a kontaminovať jej povrch!
- Používajte iba kotúče, v ktorých je navinutie fólie navinuté so zvárateľnou vrstvou vo vnútri kotúča.

Pripojenie kotúča fólie:

- Vytiahnite držiak kotúča zo štrbiny 1.
- Položte rolku s fóliou 2 na držiak rolky 1 na zadnej strane spotrebiča.
- Zasuňte podperu s valčekom späť do drážky.
- Manuálne odviňte začiatok fólie 3 a vložte ju pod

držiak na fólie 4.

- Položte fóliu na povrch rámu 5.



Zapnutie zariadenia

Ak chcete spotrebič zapnúť, postupujte nasledovne:

- Skontrolujte, či je spotrebič umiestnený na stabilnom mieste.
- Pripojte napájací kábel do zásuvky 1 na spotrebiči a potom do zásuvky ~ 230V, ktorá je vybavená účinným obvodom ochrany inštalácie (uzemnený kolík).
- Spotrebič zapnite stlačením hlavného vypínača 2.

Zapnutie spotrebiča indikuje podsvietenie vypínača.

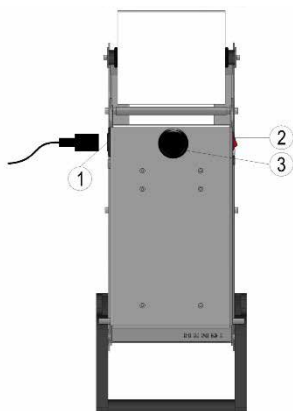
DÔLEŽITÉ:

Pred použitím sa vyžaduje predhriatie (6 až 10 minút).

Vďaka použitiu programovateľného regulátora teploty sa teplota vyhrievacej platne po zahriatí automaticky udrží na nastavenej úrovni, čo zabezpečí stabilné podmienky pre proces utesnenia.

Spotrebič je vybavený zabudovaným bezpečnostným planžetovým rezacím systémom. Konštrukcia sealeru chráni operátora pred popáleninami alebo porezaním.

- Nastavte teplotu vyhrievacej platne pomocou regulátora teploty tesnenia.



Regulácia teploty

Teplotu reguluje gombík s vytlačou stupnicou teploty. Možné nastavenie teploty v rozsahu od 50

do 210 °C. Ihneď po zohriatí vyhrievacej platne na nastavenú teplotu zhasne kontrolka na boku krytu.

Proces utesnenia

Uistite sa, že ste sa oboznámili s bezpečnostnými požiadavkami na používanie. Proces utesnenia začinite podľa nasledujúceho opisu:

1. Vložte naplnenú nádobu do otvoru na ráme.
2. Pretiahnite fóliu cez nádobu tak, aby bola úplne zakrytá fóliou.

3. Uchopte rukoväť krytu a zatvorte kryt.
4. Počkajte 1 – 3 sekundy. Privarená fólia pozdĺž okrajov tácky.
5. Po dokončení procesu utesnenia otvorte kryt a vyberte uzavretú nádobu.

Čistenie a údržba

Čistenie

Po vychladnutí spotrebiča mäkkou kefkou odstráňte zvyšky zabalených výrobkov. V prípade potreby odstráňte nečistoty mäkkou špongiou, mierne navlhčenou vodou a saponátom. Nepoužívajte pro-

dukty, ktoré nie sú určené na tento typ nepriľnavej povrchovej úpravy (pozri produktový list čističa). Keď je spotrebič studený, odstráňte z varného panela všetky nečistoty pomocou mäkkej špongie.

Oprava

V prípade poruchy spotrebič okamžite prestaňte používať a odpojte ho od zdroja napájania. Skontrolujte odpovede na často kladené otázky v

kapitole „Často kladené otázky“ a pozrite si popis možných riešení v kapitole „Riešenie problémov“. Ak problém pretrváva, obráťte sa na distribútora.

Náhradné diely

Ak potrebujete počas prevádzky prístup k náhradným dielom, obráťte sa na distribútora.

FAQ - Často kladené otázky

a. Môžem vymeniť maticu na použitie iného typu kontajnera?

Áno. Výmena matice je jednoduchá. Odstráňte existujúcu maticu a vložte novú.

POZORNOSŤ! Dávajte pozor, aby ste sa nepopálili na povrchu horúcej vyhrievacej platne.

b. Môžem použiť rovnakú maticu pre rôzne tvary nádob?

Áno, je to však možné iba vtedy, ak má kontajner jeden oddiel a dĺžka a šírka rôznych kontajnerov sú presne rovnaké. Ak sa v tejto oblasti nachádzajú akékoľvek divízie, nebudú zvárané.

c. Kde si môžem objednať novú maticu?

Kontaktujte svojho distribútora.

d. Môžem si objednať vlastné dizajnové kontajner-y?

Áno, ale objednané množstvo musí byť veľmi veľké. Náklady na vytvorenie matice a rámca pre atypický kontajner musia byť ekonomicky opodstatnené.

e. Je možné použiť veľkokapacitné kontajner-y?

Áno, obráťte sa na svojho distribútora.



Riešenie problémov

Problém	Možný dôvod	Riešenie
Spotrebič neutesňuje fóliu k okraju nádoby alebo je tesnenie príliš slabé	Veko fóliového kotúča nie je správne umiestnené.	Otočte kotúč. Fólia musí smerovať k nádobe.
	Valec fólie sa nezhoduje s materiálom, z ktorého je nádoba vyrobená.	Vymeňte rolku tesniacej fólie alebo nádobu.
	Príliš nízka teplota	Zvýšte teplotu
	Príliš krátky čas zvráania	Kryt nechajte zatvorený dlhšie.
	Matica je obrátená (so silikónovými pásikmi otočenými nadol)	Otáčaním matice.
Spotrebič sa nespustí	Nedostatok silikónových prúžkov na matrici	Vyplňte medzery a vložte nové silikónové prúžky
	Tlaková čiara silikónového prúžku má medzeru.	Upravte polohu prúžku.
Tesniaca fólia nie je odrezaná.	Napájací kábel nie je pripojený k zdroju napájania alebo zariadenie nie je zapnuté.	Pripojte zariadenie k zdroju napájania a zapnite ho.
	Vyhorená poistka.	Kontaktujte autorizovaný servis.
	Nôž chýba alebo je poškodený.	Obráťte sa na autorizovaný servis kvôli výmene noža.

SK

Technické údaje

Č. položky	976722
Rozmery (príslušenstvo)	637x258x(H)247 mm
Rozmery (kolesá)	Ø160 x (max) 200 mm
Rozmery podnosu	195x250x(H)10 mm
Účinnosť	8 – 10 cyklov/min.
Max. Výkon	700 W
Napätie	AC ~230V 50Hz
Poistka	5x20 oneskorená 3,15 A
Indikátory	Zapnutie kontrolky + indikačná kontrolka ohrievacej platne
Technológia tesnenia	Ohrievacia platňa s nepriľnavým povrchom s manuálne nastaviteľnou teplotou
Vlastnosti	- Konštrukcia z nehrdzavejúcej ocele, rýchla výmena matricí pre kontajnery, - bezpečný a stabilný systém regulácie teploty, - možnosť používať matrice prispôbené individuálnym potrebám používateľa, - priečne rezanie fólie
Čistá hmotnosť	10 kg



Záruka

Akákoľvek chyba ovplyvňujúca funkčnosť spotrebiča, ktorá sa prejaví do jedného roka po zakúpení, bude opravená bezplatnou opravou alebo výmenou za predpokladu, že spotrebič bol použitý a udržiavaný v súlade s pokynmi a nebol zneužitý ani zneužitý. Vaše zákonné práva nie sú dotknuté. Ak je spotrebič nárokovaný na základe záruky, uveďte,

kde a kedy bol zakúpený, a uveďte doklad o kúpe (napr. potvrdenie o prijatí).

V súlade s našou politikou nepretržitého vývoja produktov si vyhradzuje právo bez predchádzajúceho upozornenia meniť špecifikácie výrobku, balenia a dokumentácie.

Vyhadzovanie a životné prostredie

Pri vyradovaní spotrebiča z prevádzky sa liek nesmie likvidovať s iným domovým odpadom. Namiesto toho je vašou zodpovednosťou zlikvidovať svoje odpadové zariadenie odovzdaním určenému zbernému miestu. Nedodržanie tohto pravidla môže byť penalizované v súlade s platnými predpismi o zneškodňovaní odpadu. Samostatný zber a recyklácia vášho odpadového zariadenia v čase likvidácie pomôže zachovať prírodné zdroje a za-

bezpečiť ich recyklovanie spôsobom, ktorý chráni ľudské zdravie a životné prostredie.

Pre viac informácií o tom, kde môžete odložiť svoj odpad na recykláciu, kontaktujte miestnu spoločnosť na zber odpadu. Výrobcovia a dovozcovia nepreberú zodpovednosť za recykláciu, úpravu a ekologickú likvidáciu, a to buď priamo, ani prostredníctvom verejného systému.



Zahvaljujemo se vam za nakup naprave Hendi. Pred prvo uporabo naprave natančno preberite ta priročnik, pri čemer bodite posebej pozorni na varnostne predpise, opisane spodaj.



Varnostna navodila

- Ta naprava je namenjena le za komercialno uporabo.
- Napravo uporabljajte samo za predviden namen, za katerega je bila zasnovana, kot je opisano v tem priročniku.
- Proizvajalec ni odgovoren za škodo, ki nastane zaradi nepravilnega delovanja in nepravilne uporabe.
- Naprava in električni vtič morata biti oddaljena od vode in drugih tekočin. Če naprava pade v vodo, takoj iztaknite vtič iz vtičnice. Naprave ne uporabljajte, dokler je ne preveri certificirani tehnik. Neupoštevanje teh navodil povzroči življenjsko nevarna tveganja.
- Ohišja naprave nikoli ne odpirajte sami.
- V ohišje naprave ne vstavljajte predmetov.
- Čepa se ne dotikajte z mokrimi ali vlažnimi rokami.
- ⚠️ **NEVARNOST ELEKTRIČNEGA UDARA!** Naprave ne poskušajte popravljati sami, popravila lahko izvaja samo kvalificirano osebje.
- **Nikoli ne uporabljajte poškodovane naprave!** Če je poškodovan, napravo izključite iz vtičnice in se obrnite na trgovca.
- **OPOZORILO!** Električnih delov naprave ne potapljajte v vodo ali druge tekočine.
- Naprave nikoli ne držite pod tekočo vodo.
- Redno preverjajte, ali sta vtič in kabel morda poškodovana. Če je poškodovan, ga mora zamenjati predstavnik servisne službe ali druga strokovno usposobljena oseba, da se izognete nevarnosti ali poškodbam.
- Zagotovite, da kabel ne pride v stik z ostrimi ali vročimi predmeti in ga hranite pred odprtim ognjem. Napajalnega kabla nikoli ne vlecite za odklop iz vtičnice, vedno povlecite za vtič.
- Pazite, da priključni kabel in/ali podaljšek ne povzročita nevarnosti spotaknitve.
- Naprave med uporabo nikoli ne puščajte brez nadzora. .
- **OPOZORILO!** ADokler je vtič v vtičnici, je naprava priključena na vir napajanja.
- Preden napravo izvlečete iz vtičnice, jo izklopite.
- Vtič vključite v električno vtičnico, ki je lahko dostopna in omogoča takojšen odklop naprave.
- Naprave nikoli ne prenašajte za kabel.
- Ne uporabljajte nobenih dodatnih naprav, ki niso priložene napravi.
- Napravo priključite v električno omrežje samo z napetostjo in frekvenco, ki sta navedeni na nalepki naprave.
- Nikoli ne uporabljajte dodatkov, ki jih ne priporoča proizvajalec. V nasprotnem primeru lahko predstavljate tveganje za uporabnika in poškodujete napravo. Uporabljajte samo originalne dele in dodatke.
- Naprave ne smejo upravljati osebe z zmanjšanimi telesnimi, čutnimi ali razumskimi

sposobnostmi ali osebe s pomanjkanjem izkušenj in znanja.

- Naprave v nobenem primeru ne smejo uporabljati otroci.
- Napravo in napajalni kabel hranite zunaj dosega otrok.
- **OPOZORILO:** Pred čiščenjem, vzdrževanjem ali shranjevanjem VEDNO izklopite napravo in iztahnite vtič iz vtičnice.

Posebni varnostni predpisi

- Ta naprava je namenjena za nepredvideno pakiranje živilskih izdelkov, namenjenih za neposredno uporabo, na pladnjih iz polipropilena (PP) ali izdelanih iz ekoloških materialov.
- Napravo uporabljajte le tako, kot je opisano v tem priročniku.
- Korzystaj z urządzenia wyłączenie zgodnie z instrukcją.
-  **NEVARNOST OPEKLIN! NIKOLI SE NE DOTIKAJTE TESNILNE PLOŠČE!** Tudi po uporabi je zelo vroč. Obstaja nevarnost opeklin. Počakajte, da se naprava ohladi. Prav tako se med uporabo naprave ne dotikajte.
- Aparat morate redno čistiti in odstraniti ostanke hrane. Če naprave ne vzdržujete v čistem stanju, to lahko negativno vpliva na življenjsko dobo naprave in povzroči nevarno stanje med uporabo.
- Naprave ne postavljajte na grelni predmet (bencin, električni, ogleni kuhalnik itd.) Naprava naj ne bo v bližini vročih površin in odprtega ognja. Napravo vedno uporabljajte na vodoravni, stabilni, čisti, na vročino odporni in suhi površini.
- Naprave ne uporabljajte za pakiranje vnetljivih predmetov.
-  **NEVARNOST ZMEČKANIN!** Med uporabo/zapiranjem ne postavljajte rok pod pokrov naprave.

SL

Namen uporabe

- Ta naprava je namenjena za profesionalno uporabo.
- Ta naprava je namenjena za nepredušno pakiranje živilskih izdelkov, namenjenih za neposredno uporabo, za razrahljanje glede na težo itd., na pladnjih iz polipropilena (PP) ali iz ekoloških

materialov. Uporaba naprave za kakršen koli drug namen jo lahko poškoduje ali povzroči telesne poškodbe.

- Uporaba naprave za kakršne koli druge namene se bo štela za zlorabo. Za nepravilno uporabo naprave bo odgovoren izključno uporabnik.

Ozemljitev

Ta naprava je razvrščena kot **zaščita razreda I** in mora biti priključena na zaščitno ozemljitev. Ozemljitev zmanjša nevarnost električnega udara, tako da zagotovi evakuacijsko žico za električni tok. Ta

naprava ima vgrajen električni kabel z ozemljitveno žico in vtičem. Vtič morate vtakniti v vtičnico, ki je pravilno nameščena in ozemljena.

Splošni podatki

Ta naprava je prilagojena dimenzijam uporabljene embalaže z največjimi merami 227 x 178 mm in okroglo embalažo z največjim premerom 170 mm ter tudi modelom s prečno folijo za rezanje.

Način pakiranja iz polipropilena (PP) ali ekoloških

materialov v pladnjih omogoča hitro in varno pakiranje takih izdelkov, kot so:

- mesa,
- ribe,
- občutljivo periloson,



- pripravljenih obrokov in polkrožnih obrokov,
- zelenjavne solate,
- morske sadeže,
- dušeno zelenjavo, oliv itd.

Naprava se široko uporablja v komercialnih, gastronomskih in gostinskih obratih.

Naprava se lahko uporablja tudi za pakiranje majhnih industrijskih predmetov, kot so vijaki, zatiči, matice, podložke, majhni kovinski in plastični deli, elektronski deli in deli, nadomestni deli in številne druge vrste izdelkov.

Za embalažo v obliki zatesnjene posode so značilni

Delovno okolje

Naprave ne nameščajte:

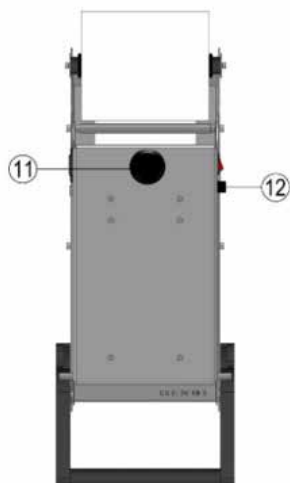
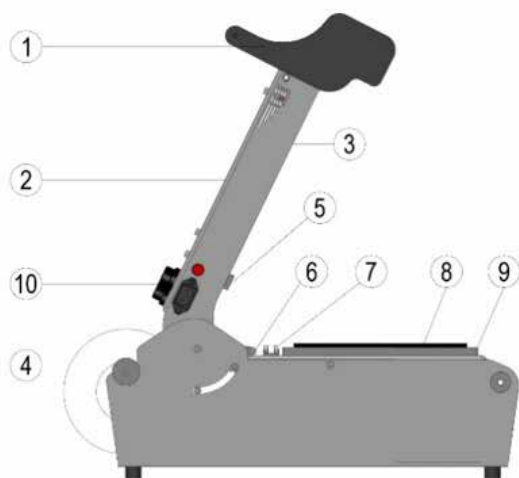
- Na površini, ki ne omogoča stabilne nastavitve naprave.
- Blizu vrtljivih, vibrirajočih strojev.
- Na prašnih mestih.
- Na mestih z okoljem vnetljivih in kemično agresivnih hlapov.

privlačen videz, visoka estetika in dobra vidljivost pakiranega izdelka. Vzdržljivo in tesno zapiranje embalaže štiti pred odpiranjem med transportom, kar zagotavlja optimalno zaščito zapakiranega izdelka pred razlivanjem, brizganjem ali padcem iz embalaže ali škode. Embalaža lahko pride v stik z užitnimi maščobami, pri embalaži z večjo temperaturno odpornostjo pa lahko vsebino segrevate v mikrovalovni pečici, ne da bi jo morali odstraniti iz embalaže. Visoka stopnja prilagodljivosti teh materialov zagotavlja, da je embalaža odporna na razpoke v širokem razponu temperatur shranjevanja.

Ta naprava je namenjena uporabi v komercialnih prostorih in izpolnjuje zahteve razreda A glede elektromagnetnih motenj v skladu z EN 61000-6-3:2001.

Izdelek razreda, ki se uporablja v stanovanjskem okolju, lahko povzroči elektromagnetne motnje. V tem primeru mora uporabnik zagotoviti dodatno zaščito pred motnjami.

Splošni pogled



- 1. Pokrijte ročaj in tlačni sistem** – Omogoča priročno odpiranje in zapiranje naprave ter ustrezen tlak za varjenje pladnja. Uporabljeni sistem ne zahteva bolj močne uporabe, kot je potrebno.
- 2. Pokrov** – zaščitite grelno ploščo.
- 3. Grelna plošča.**
- 4. Zvitek s folijo** – mrežica ni priložena napravi.
- 5. Nož rezila iz folije** – Prepričajte se, da je folija varno prerezana, ko je pokrov popolnoma



zaprt.

6. **Držalo za mrežico** –po rezanju zagotovi držanje roba folije.
7. **Rezalnik** – Prepričajte se, da je folija držala in varno rezana, ko je pokrov popolnoma zaprt.
8. **Silikonsko tesnilo posode** - Pritisne rob posode na folijo na mestu tesnjenja.
9. **Posoda-matrica** – zagotavlja podporo pladnja za izdelek (vrhnji pogled matrice je prilagojen

obliki posode).

10. **Stikalo za vklop/izklop (gumb)** – omogoča vklop/izklop naprave s pritiskom tipke (stanje vklopa ponazarja osvetlitev ozadja tipke).
11. **Krmilnik temperature** – omogoča nastavev temperature glede na vrsto folije in posode. Vzdržuje konstantno temperaturo grelne plošče, kot je nastavljena.
12. **Varovalka.**

Navodila za uporabo

Uvodni ukrepi

Razmik puše (rdeča oznaka) je treba prilagoditi širini zvitka s folijo, da zagotovite pravi položaj folije glede na vsebnik.

Uporaba mrežice

OPOMBA: Ko nameščate folijo, se prepričajte, da je stran, ki jo je treba variti, obrnjena navzdol.

POMEMBNO:

- Folije ne postavljajte tako, da je obrnjena proti grelni plošči s plastjo, ki je namenjena za tesnjenje! Lahko se oprime folije z grelno ploščo in kontaminira njeno površino!
- Uporabljajte samo zvitke, pri katerih je navitje filma rano z varilno plastjo znotraj zvitka.

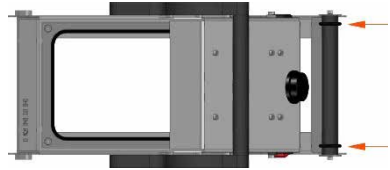
Nameščanje zvitka folije:

- Nosilec valja izvlecite iz reže 1.
- Zvitek s folijo 2 namestite na nosilec za valja 1 na hrbtne strani naprave.
- Nosilec z valjčkom potisnite nazaj v režo.
- Ročno odvijte začetek folije 3 in jo položite pod

Vklop naprave

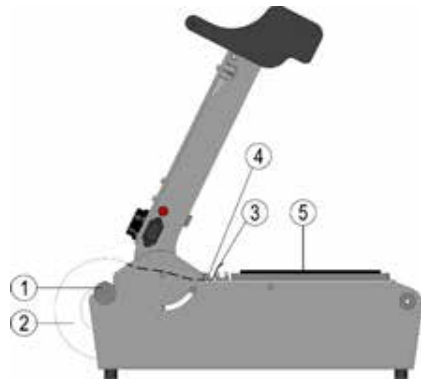
Za vklop naprave sledite naslednjim korakom:

- Prepričajte se, da je naprava nameščena na stabilno mesto.
- Napajalni kabel priključite v vtičnico 1 na napravi in nato v vtičnico ~ 230V, ki je opremljena z učinkovitim vezjem za zaščitno napeljavo (ozemljen zatič).
- Napravo vklopite s pritiskom na stikalo za vklop/izklop 2.



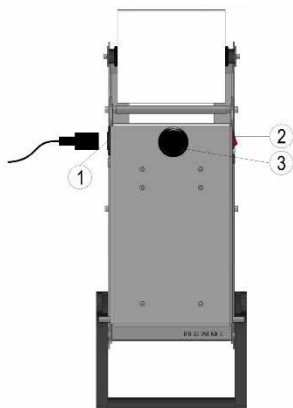
držalo folije 4.

- Namestite folijo na površino okvirja 5.



SL





Vklop naprave je označen z osvetlitvijo ozadja stikala.

Nadzor temperature

Temperaturo regulira gumb z natisnjeno temperaturno lestvico. Možna nastavitve temperature v območju od 50 do 210 °C. Ko se grelna ploščica segreje

POMEMBNO:

Pred uporabo je potrebno predhodno segrevanje. (6 do 10 minut).

Zahvaljujoč uporabi programabilnega regulatorja temperature se temperatura grelna ploščica po segrevanju samodejno vzdržuje na nastavljeni ravni, kar zagotavlja stabilne pogoje za postopek tesnjenja.

Naprava je opremljena z vgrajenim varnostnim sistemom za rezanje folije. Konstrukcija tesnila ščiti upravljalca pred opeklinami ali urezninami.

- Temperaturo grelna ploščica nastavite s krmilnikom temperature tesnila.

na nastavljeno temperaturo, lučka na strani ohišja ugasne.

SL

Postopek varjenja

Seznajte se z varnostnimi zahtevami za uporabo. Zaženite postopek tesnjenja v skladu z naslednjim opisom:

1. Polno posodo postavite v odprtino okvirja.
2. Povlecite folijo čez posodo, tako da bo popolnoma pokrita s folijo.

3. Primite ročaj pokrova in zaprite pokrov.
4. Počakajte 1–3 sekunde. Folija, privarjena vzdolž robov pladnja.
5. Po končanem postopku tesnjenja odprite pokrov in vzemite ven zaprto posodo.

Čiščenje in vzdrževanje

Čiščenje

Ko se naprava ohladi, odstranite ostanke pakiranih izdelkov z mehko krtačo. Po potrebi očistite umazanijo z mehko gobico, ki jo rahlo navlažite z vodo in detergentom. Ne uporabljajte izdelkov, ki

niso namenjeni uporabi s premazom proti prijemanju (glejte list izdelka čistila). Z mehko gobo ob hladnem stroju odstranite vse nečistoče iz kuhalne ploščice.

Popravilo

V primeru motenj v delovanju takoj prenehajte uporabljati napravo in jo izključite iz vira napajanja. Odgovore na pogosto zastavljena vprašanja si oglejte v poglavju »Pogosto zastavljena vprašanja«

in si oglejte opise možnih rešitev v poglavju »Odpravljanje težav«. Če težave ne odpravite, se obrnite na svojega distributerja.

Nadomestni deli

Če potrebujete dostop do nadomestnih delov med delovanjem, se obrnite na svojega distributerja.



FAQ - Pogosto zastavljena vprašanja

a. Ali lahko zamenjam matriko, če želite uporabiti drugo vrsto posode?

Da. Zamenjava matrice je preprosta. Odstranite obstoječo matriko in vstavite novo.

POZORNOST! Pazite, da se ne opečete na površino vroče grelne plošče.

b. Ali lahko isto matriko uporabljam za različne oblike posod?

Da, to je mogoče samo, če ima posoda en predelek ter sta dolžina in širina različnih vsebnikov popolnoma enaki. Če so na tem območju kateri koli oddelki, jih ne bomo zavarovali.

c. Kje lahko naročim novo matrico?

Obrnite se na svojega distributerja.

d. Ali lahko naročim koščke po meri?

Da, vendar mora biti naročena količina zelo velika. Stroški izdelave matrike in okvirja za neobičajno posodo morajo biti ekonomično upravičeni.

e. Ali je mogoče uporabljati večje vsebnike?

Da, obrnite se na svojega distributerja.

Odpravljanje težav

Težava	Možen razlog	Rešitev
Naprava ne zatesni folije na rob posode ali pa je prešibka	Valj pokrovne folije ni pravilno nameščen.	Obrnite kotaliček. Folija mora biti obrnjena proti vsebniku.
	Zvitek folije se ne ujema z materialom, iz katerega je izdelana posoda.	Zamenjajte zvilo ali posodo tesnitne folije.
	Prenizka temperatura	Zvišanje temperature
	Prekratek čas varjenja	Pokrov pustite dlje zaprt.
	Matrika je obrnjena (s silikonskimi črtami obrnjenimi navzdol)	Obrnite matrico.
	Pomanjkanje silikonskih trakov na matričnih	Zapolnitvenih režah in vstavljanje novih silikonskih trakov
Naprava se ne zažene	V tlačni liniji silikonskega traku je vrzel.	Prilagodite položaj traku.
	Napajalni kabel ni priklopljen na napajanje ali pa stroj ni vklopljen.	Napravo priključite na napajanje in jo vklopite.
	Pregorela varovalka.	Stik s pooblaščenim servisom.
Folija za tesnjenje ni odrezana.	Nož manjka ali je poškodovan.	Stik s pooblaščenim servisom za zamenjavo noža.

SL



Tehnični podatki

Št. izdelka	976722
Mere (naprava)	637x258x(H)247 mm
Dimenzije (vrtenje)	Ø160 x (max) 200 mm
Dimenzije pladnja	195x250x(H)10 mm
Učinkovitost	8–10 ciklov/min
Največ Moč	700 W
Napetost	AC ~230V 50Hz
Varovalka	5x20 zakasnitev 3,15 A
Kazalniki	Lučka za vklop + kontrolna lučka grelne plošče
Tehnologija zatesnitve	Grelna plošča s premazom proti prijemanju in ročno nastavljivo temperaturo
Lastnosti	- Konstrukcija iz nerjavnega jekla, hitra zamenjava matrice za posode, - varen in stabilen sistem za nadzor temperature, - možnost uporabe matric, ki so prilagojene individualnim potrebam uporabnika, - prečno rezanje folije
Neto teža	10 kg

Garancija

Okvare, ki vplivajo na funkcionalnost naprave in se pojavijo v enem letu po nakupu, se popravijo s brezplačnim popravilom ali zamenjavo, če je bila naprava uporabljena in se je ohranila v skladu z navodili in ni bila zlorabljena ali napačno uporabljena. To ne vpliva na vaše zakonske pravice. Če je za napravo veljala garancija, navedite, kje in kdaj

je bila kupljena, in priložite dokazilo o nakupu (npr. račun).

Skladno z našo politiko nenehnega razvoja izdelkov si pridržujemo pravico do spremembe izdelka, embalaže in specifikacij dokumentacije brez predhodnega obvestila.

Odstranjevanje in okolje

Med odstranjevanjem naprave ne odvrzite izdelka skupaj z drugimi gospodinjstskimi odpadki. Namesto tega ste sami odgovorni za odstranjevanje odpadne opreme na določeno zbirno mesto. Neupoštevanje tega pravila lahko kaznuje v skladu z veljavnimi predpisi o odlaganju odpadkov. Ločeno zbiranje in recikliranje vaše odpadne opreme v času odlaganja bo pomagalo ohraniti naravne vire in zagotoviti,

da se reciklira na način, ki varuje zdravje ljudi in okolje. Za več informacij o tem, kam lahko odložite odpadke za recikliranje, se obrnite na lokalno zbirno podjetje za odpadke. Proizvajalci in uvozniki ne prevzemajo odgovornosti za recikliranje, obdelavo in ekološko odstranjevanje, bodisi neposredno bodisi prek javnega sistema.





HENDI

Tools for Chefs

Hendi B.V.

Innovatielaan 6
6745 XW De Klomp, The Netherlands
Tel: +31 317 681 040
Email: info@hendi.eu

Hendi Polska Sp. z o.o.

ul. Firmowa 12
62-023 Robakowo, Poland
Tel: +48 61 658 7000
Email: info@hendi.pl

Hendi Food Service Equipment GmbH

Ehring 15
5112 Lamprechtshausen, Austria
Tel: +43 6274 200 10 0
Email: office.austria@hendi.eu

Hendi Food Service Equipment Romania S.R.L.

Str. 13 decembrie 94A, Hala 14
Braşov, 500164, Romania
Tel: +40 268 320330
Email: office@hendi.ro

PKS Hendi South East Europe SA

5 Metsovou Str.
18346 Moschato, Athens, Greece
Tel: +30 210 4839700
Email: info@pks-hendi.com

Hendi Italia S.R.L.

Via Leonardo da Vinci 4
39100 Bolzano (BZ), Italy
Tel: +39 800 727 438
Email: office.italy@hendi.eu

Hendi HK Ltd.

1208, 12/F Exchange Tower
33 Wang Chiu Road, Kowloon Bay, Hong Kong
Tel: +852 2154 2618
Email: info-hk@hendi.eu

Find Hendi on internet:

www.hendi.eu
www.facebook.com/HendiToolsforChefs
www.linkedin.com/company/hendi-food-service-equipment-b.v.
www.youtube.com/HendiEquipment

- Changes, printing and typesetting errors reserved.
- Änderungen, Druck- und Satzfehler vorbehalten.
- Wijzigingen, druk- en zetfouten voorbehouden.
- Zastrzega się możliwość zmian, błędów w druku i składzie.
- Sous réserve d'erreurs de modification, d'impression et de composition.
- Con riserva di modifiche, errori di stampa e composizione.
- Rezervate modificările, tipărirea și erorile de tipărire.
- Мы оставляем за собой право вносить изменения, ошибки печати и набора.

- Επιφυλάσσονται αλλαγές, εκτύπωση και στοιχειοθεσία.
- Pridržane su promjene, pogreške u ispisu i slanju slova.
- Změny, chyby tisku a sazby vyhrazeny.
- A változtatások, a nyomtatási és a betűzési hibák fenntartva.
- Neid juhiseid võidakse muuta ja need võivad sisaldada trükkivigu.
- Šti instrukcija var tikt mainīta, tajā tāpat var būt drukas kļūdas.
- Šios instrukcijos gali būti keičiamos, jose taip pat gali pasitakyti spausdinimo klaidų.
- Zmeny, chyby v tlačí a sadzbe vyhradené.
- Spremembe, tiskanje in tipnastavitev napake shranjenih.